



# Husqvarna®



BS 75, BS 110

EN	Operator's manual
DE	Bedienungsanweisung
FR	Manuel d'utilisation
NL	Gebruiksaanwijzing

2-29
30-59
60-89
90-118

---

# Contents

---

Introduction.....	2	Transportation, storage and disposal.....	20
Safety.....	4	Technical data.....	23
Operation.....	8	Accessories.....	26
Maintenance.....	14	Declaration of Conformity.....	29
Troubleshooting.....	18		

---

## Introduction

---

### Product description

The product is a pedestrian-controlled floor scraper for surfaces of different hardness.

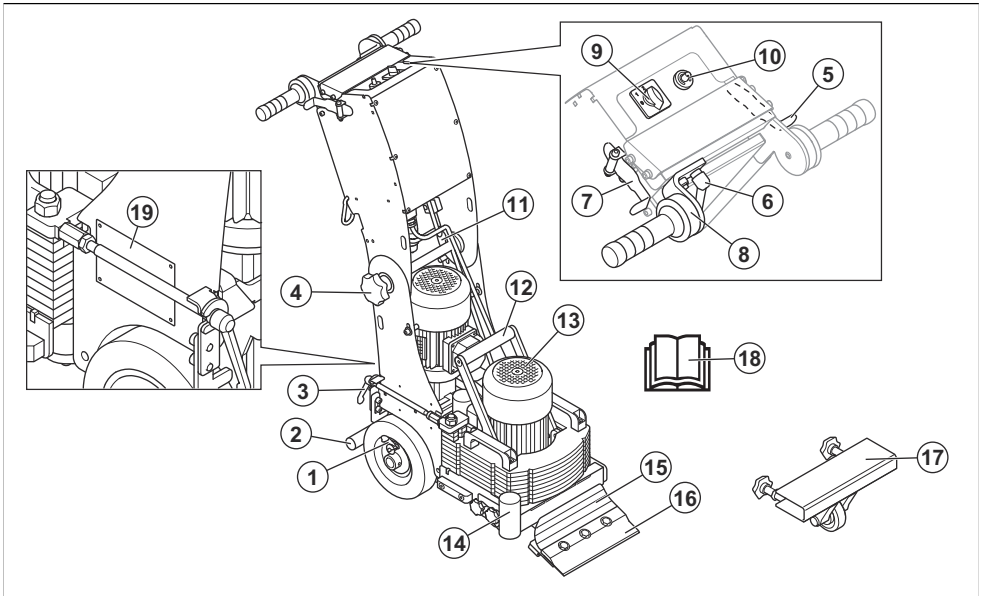
### Intended use

The product is used to remove surface materials with different hardness from concrete floors, wood floors and

soft subfloors. Use the product to remove hardwood, ceramics, linoleum, vinyl, carpet, adhesives and glue. Do not use the product for other tasks.

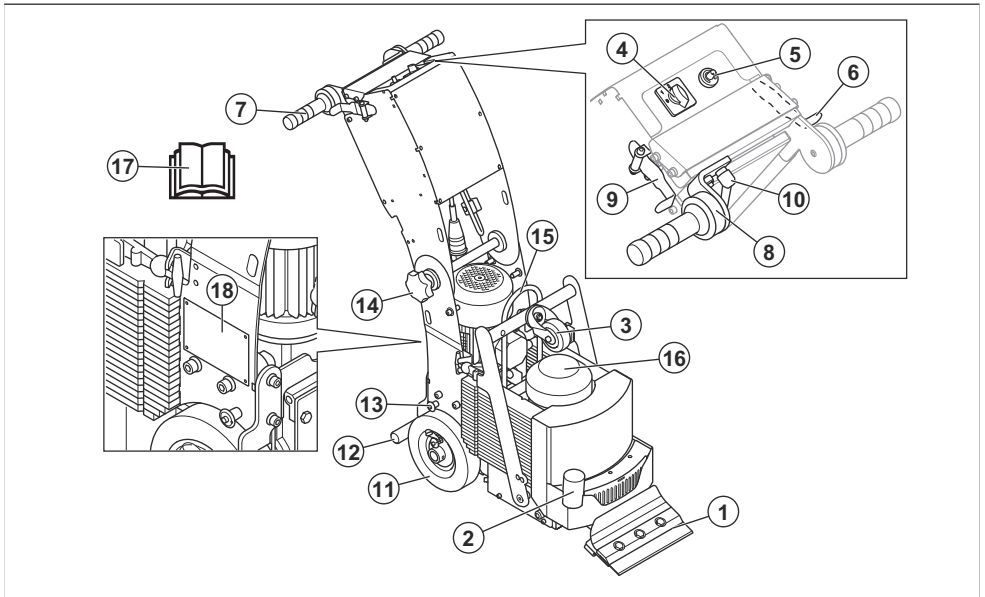
The product is used in industrial operations by professional operators.

### Product overview BS 75



- |  |                                   |
|--|-----------------------------------|
| 1. Drive wheel with locking pin                    | 10. Speed control                 |
| 2. Foot support                                    | 11. Power connector               |
| 3. Lever, used to disassemble the product          | 12. Lifting handle                |
| 4. Handle adjustment knob                          | 13. Vibration motor               |
| 5. Forward drive lever                             | 14. Connection for dust extractor |
| 6. Clamp lever for adjustable handle               | 15. Tool holder                   |
| 7. Rearward drive lever                            | 16. Blade                         |
| 8. Adjustable handle                               | 17. Blade guard                   |
| 9. Start/stop switch and function selection switch | 18. Operator's manual             |

## Product overview BS 110



1. Tool holder and blade
2. Connection for dust extractor
3. Transport wheel
4. Start/stop switch and function selection switch
5. Speed control
6. Forward drive lever
7. Shock absorbing handle
8. Adjustable handle
9. Rearward drive lever
10. Clamp lever for adjustable handle
11. Drive wheel with locking pin
12. Foot support
13. Locking pin for the transport wheel
14. Handle adjustment knob
15. Lifting eye
16. Vibration motor
17. Operator's manual
18. Type plate



High voltage.



Lifting point on the product.



Read the manual carefully and make sure that you understand the instructions before you use the product.



Use an approved respiratory protection.



Use approved hearing protection.



Use approved eye protection.

### Symbols on the product



**WARNING:** This product can be dangerous and cause serious injury or death to the operator or others. Be careful and use the product correctly.



Use approved protective gloves.



Use approved protective boots



Stop.



Move rearward.



Move forward.



Fast.



Slow.



Drive wheels engaged.



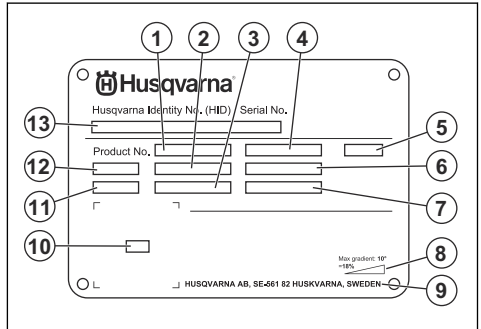
Tool engaged.



This product is in compliance with applicable EU directives.

**Note:** Other symbols/decals on the product refer to special certification requirements for some markets.

## Type plate



1. Product number
2. Product weight
3. Rated power
4. Rated voltage
5. Enclosure
6. Rated current
7. Frequency
8. Maximum slope angle
9. Manufacturer
10. Scannable code
11. Production year
12. Model
13. Serial number

## Product liability

As referred to in the product liability laws, we are not liable for damages that our product causes if:

- the product is incorrectly repaired.
- the product is repaired with parts that are not from the manufacturer or not approved by the manufacturer.
- the product has an accessory that is not from the manufacturer or not approved by the manufacturer.
- the product is not repaired at an approved service center or by an approved authority.

## Safety

### Safety definitions

Warnings, cautions and notes are used to point out specially important parts of the manual.



**WARNING:** Used if there is a risk of injury or death for the operator or bystanders

if the instructions in the manual are not obeyed.



**CAUTION:** Used if there is a risk of damage to the product, other materials or

the adjacent area if the instructions in the manual are not obeyed.

---

**Note:** Used to give more information that is necessary in a given situation.

---

## General safety instructions

---



**WARNING:** Read the warning instructions that follow before you use the product.

---

- This product is a dangerous tool if you are not careful or if you use the product incorrectly. This product can cause serious injury or death to the operator or others. Before you use the product, you must read and understand the contents of this operator's manual.
- Save all warnings and instructions.
- Comply with all applicable laws and regulations.
- The operator and the employer of the operator must know and prevent the risks during operation of the product.
- Do not let a person operate the product unless they read and understand the contents of the operator's manual.
- Do not operate the product unless you receive training before use. Make sure that all operators receive training.
- Do not let a child operate the product.
- Only let approved persons operate the product.
- The operator is responsible for accidents that occur to other persons or their property.
- Do not use the product if you are tired, ill, or under the influence of alcohol, drugs or medicine.
- Always be careful and use your common sense.
- This product produces an electromagnetic field during operation. This field can under some circumstances interfere with active or passive medical implants. To decrease the risk of serious injury or death, we recommend persons with medical implants to speak to their physician and the medical implant manufacturer before operating this product.
- Keep the product clean. Make sure that you can clearly read signs and decals.
- Do not use the product if it is defective.
- Do not do modifications to this product.
- Do not operate the product if it is possible that other persons have done modifications to the product.
- Use personal protective equipment. Refer to *Personal protective equipment on page 6*.
- Overexposure to vibration can cause circulatory damage or nerve damage to persons with decreased blood circulation. Get medical aid if you have symptoms of overexposure to vibration. These symptoms include numbness, loss of feeling, tingling, pricking, pain, loss of strength, changes in skin color or condition. These symptoms usually show in the fingers, hands or wrists.
- Do not operate the product without all protective covers installed.
- Make sure that you know how to stop the motor quickly in an emergency.
- Before you go away from the product, stop the motor and disconnect the power cord. Make sure that there is no risk of accidental start.
- Make sure that clothing, long hair and jewelry do not get caught in moving parts
- Make sure that you are in a safe and stable position during operation.
- Only operate the product on horizontal surfaces.
- Do not operate the product unless you can get aid if an accident occurs
- Always use approved accessories. Speak to your Husqvarna dealer for more information.
- If vibrations occur in the product or the noise level from the product is unusually high, stop the product immediately. Examine the product for damages. Repair damages or let an approved service agent do the repair.
- Do not stand on the product.
- Make sure that there is no blockage in the airflow of the vibration motor.
- Connect the product to a dust extractor for removal of the dust.
- Do not pull the hose of the dust extractor. The product can fall and cause injury or damage.
- Keep the dust extractor on until the motor stops fully.
- Only operate the product from behind with your hands on the handlebar.
- Make sure that there is no grease or oil on the handles.
- Always keep the 2 wheels on the ground during operation.

## Vibration safety

---



**WARNING:** Read the warning instructions that follow before you use the product.

---

- During operation of the product, vibrations go from the product to the operator. Regular and frequent operation of the product can cause or increase the degree of injuries to the operator. Injuries can occur in fingers, hands, wrists, arms, shoulders, and/or nerves and blood supply or other body parts. The

## Safety instructions for operation

---



**WARNING:** Read the warning instructions that follow before you use the product.

---

injuries can be debilitating and/or permanent, and can increase gradually during weeks, months or years. Possible injuries include damage to the blood circulation system, the nervous system, joints, and other body structures.

- Symptoms can occur during operation of the product or at other times. If you have symptoms and continue to operate the product, the symptoms can increase or become permanent. If these or other symptoms occur, get medical aid:
  - Numbness, loss of feeling, tingling, pricking, pain, burning, throbbing, stiffness, clumsiness, loss of strength, changes in skin color or condition.
- Symptoms can increase in cold temperatures. Use warm clothing and keep your hands warm and dry when you operate the product in cold environments.
- Do maintenance on and operate the product as given in the operator's manual, to keep a correct vibration level.
- The product has a vibration damping system that decreases the vibrations from the handles to the operator. Let the product do the work. Do not push the product with force. Hold the product at the handles lightly, but make sure that you control the product and operate it safely. Do not push the handles into the end stops more than necessary.
- Keep your hands on the handle or handles only. Keep all other body parts away from the product.
- Stop the product immediately if strong vibrations suddenly occurs. Do not continue the operation before the cause of the increased vibrations is removed.

## Dust safety



**WARNING:** Read the warning instructions that follow before you use the product.

- Operation of the product can cause dust in the air. Dust can cause serious injury and permanent health problems. Silica dust is regulated as harmful by several authorities. These are examples of such health problems:
  - The fatal lung diseases chronic bronchitis, silicosis and pulmonary fibrosis
  - Cancer
  - Birth defects
  - Skin inflammation
- Use correct equipment to decrease the quantity of dust and fumes in the air and to decrease dust on work equipment, surfaces, clothing and body parts. Examples of controls are dust collection systems and water sprays to bind dust. Decrease dust at the source where possible. Make sure that the equipment is correctly installed and used and that regular maintenance is done.

- Use approved respiratory protection. Make sure that the respiratory protection is applicable for the dangerous materials in the work area.
- Make sure that the airflow is sufficient in the work area.

## Noise safety



**WARNING:** Read the warning instructions that follow before you use the product.

- High noise levels and long-term exposure to noise can cause noise-induced hearing loss.
- To keep the noise level to a minimum, do maintenance on and operate the product as given in the operator's manual.
- Use approved hearing protection while you operate the product.
- Listen for warning signals and voices when you use hearing protection. Remove the hearing protection when the product is stopped, unless hearing protection is necessary for the noise level in the work area.

## Personal protective equipment



**WARNING:** Read the warning instructions that follow before you use the product.

- Always use approved personal protective equipment when you operate the product. Personal protective equipment cannot fully prevent injury but it decreases the degree of injury if an accident does occur. Let your dealer help you select the correct personal protective equipment.
- Regularly do a check of the condition of the personal protective equipment.
- Use an approved protective helmet.
- Use approved hearing protection.
- Use approved respiratory protection.
- Use approved eye protection with side protection.
- Use protective gloves.
- Use boots with steel toe-cap and non-slip sole.
- Use approved work clothing or equivalent close-fitting clothing that has long sleeves and long legs.

## Fire extinguisher

- Keep a fire extinguisher near during operation.
- Use a powder fire extinguisher or a carbon dioxide fire extinguisher.

## Work area safety



**WARNING:** Read the warning instructions that follow before you use the product.

- Do not use the product in fog, rain, strong winds, cold weather, risk of lightning or other bad weather conditions.
- Do not use the product in areas where fire or explosions can occur.
- Keep children, bystanders and animals away from the work area and at a safe distance from the product.
- Make sure that only approved persons are in the work area.
- Keep the work area clean and sufficiently illuminated.
- Remove objects such as screws, bolts, wires and stones from the work area before you use the product.
- Make sure that there are no cables or hoses in the operation direction of the product.
- Make sure that there is sufficient airflow in the work area.
- Make sure that the power, fuse and mains voltage are the same as the voltage shown on the rating plate of the product.
- Always stop the product before you disconnect the power plug.
- Do not use the product if the power cord or power plug is damaged. Hand it in to an approved service center for repair. A damaged power cord can cause serious injury and death.
- Use the power cord correctly. Do not use the power cord to move, pull or disconnect the product. Pull the power plug to disconnect the power cord. Do not pull the power cord.
- Do not operate the product in water depths where the equipment of the product gets wet. The equipment can become damaged and the product can become live and cause injury.
- Do not get more moisture into the product than the water supplied by the water system. Keep the product away from rain. Water that goes into the product increases the risk of electrical shock.
- Always disconnect the power cord before you connect or disconnect the connection for the motor cable and the electrical enclosure.

## Electrical safety



**WARNING:** There is always a risk of shocks from electrical products. Do not use the product in bad weather conditions. Do not touch lightning conductors and metal objects. Always use the product as given in this operator's manual to prevent injury.



**WARNING:** Always use a power supply with RCD (residual-current device). An RCD decreases the risk of electrical shock.



**WARNING:** High voltage. There are unprotected parts in the power unit. Always disconnect the power plug before you open the door to the electrical box.



**CAUTION:** The power supply from the product or generator must be sufficient and constant to make sure that the motor operates without problems. Incorrect voltage causes the power consumption and the temperature of the motor to increase until the safety circuit releases. The dimension of the power cord must agree with national and local regulations. The dimension of the mains socket must agree with the amperage for the electrical socket and extension cable of the product.

If the power mains has higher system resistance, short voltage drop can occur when the product is started. This can influence the operation of other products, for example flicker on the lights.

## Grounded product instructions



**WARNING:** Incorrect connection can result in electrical shock. Speak to an approved electrician if you are not sure if your mains outlet is correctly grounded.

Do not do modifications to the power plug from its factory specification. If the power plug or power cord is damaged or must be replaced, speak to your Husqvarna service agent. Obey local regulations and laws.

If you do not fully understand the instructions about the grounded product, speak to an approved electrician.

Use only grounded outdoor extension cables with grounding plugs and grounding outlet that accepts the product power plug.

The product has a grounded power cord and power plug. Always connect the product to a grounded mains outlet. This decreases the risk of electrical shock if there is a malfunction.

Do not use electrical adapters with the product.

## Extension cables

- Use only approved extension cables with sufficient length.
- The rated value on the extension cable must be the same or higher than given on the rating plate of the product.
- Use grounded extension cables.

- When you operate the product outdoors, use an extension cable that is applicable for outdoor operation. This decreases the risk of electrical shock.
- Keep the connection to the extension cable dry and off the ground.
- Keep the extension cable away from heat, oil, sharp edges or moving parts. A damaged cable increases the risk of electrical shock.
- Make sure that the extension cable is in good condition and not damaged.
- Do not use the extension cable while it is wound up. This can cause the extension cable to become too hot.
- Make sure that the extension cable is behind you and the product when you use the product. This prevents damage to the extension cable.

### Safety devices on the product



**WARNING:** Read the warning instructions that follow before you use the product.

- Do not use a product with defective safety devices.
- Do a check of the safety devices regularly. If the safety devices are defective, speak to your Husqvarna service agent.

### To do a check of the start/stop and function selection switch

1. Set the start/stop and function selection switch to "0".
2. Connect the product to the power supply.
3. Set the start/stop and function selection switch to "1". The drive motor starts.
4. Set the start/stop and function selection switch to "2". The drive motor is on and the vibration motor starts.

5. Set the start/stop and function selection switch to "0".
6. Make sure that the drive motor and the vibration motor stops.

### Safety instructions for maintenance



**WARNING:** Read the warning instructions that follow before you use the product.

- Use personal protective equipment. Refer to *Personal protective equipment on page 6*.
- Only do the maintenance as given in this operator's manual. Let an approved service agent do all other servicing.
- If the maintenance is not done correctly and regularly, the risk of injury and damage to the product increases.
- Clean the product to remove dangerous material before you do the maintenance.
- Before you do the maintenance, stop the motor and disconnect the power plug.
- Do the maintenance of the product on stable level ground.
- Do not do modifications to the product. Modifications that are not approved by the manufacturer can cause serious injury or death.
- Replace damaged, worn or broken parts.
- Always use original accessories and spare parts. Accessories and spare parts that are not approved by the manufacturer, can cause serious injury or death.
- After maintenance, do a check of the vibration level in the product. If it is not correct, speak to an approved service agent.
- Let an approved service agent do servicing on the product regularly.

## Operation

### Introduction



**WARNING:** Before you operate the product, you must read and understand the safety chapter.

### To do before you operate the product

1. Read the operator's manual carefully and make sure that you understand the instructions.
2. Read the operator's manual for the dust extractor carefully and make sure that you understand the instructions.
3. Use personal protective equipment. Refer to *Personal protective equipment on page 6*.
4. Do daily maintenance. Refer to *Maintenance schedule on page 14*.
5. Make sure that the product is assembled correctly and is not damaged.
6. Make sure that only approved persons are in the work area.
7. Put the product on the work area. Make sure that the transportation of the product to and in the work area is done safely and correctly. Refer to *Transportation, storage and disposal on page 20*.
8. Connect a dust extractor to the product. Refer to *To connect a dust extractor on page 10*.

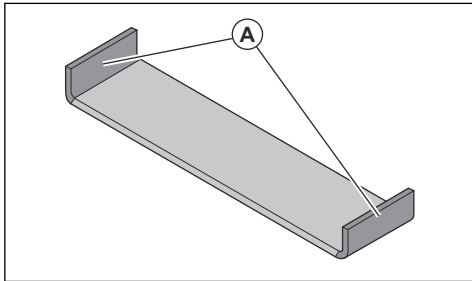


9. Adjust the handle to an applicable operation position. Refer to *To adjust the handle height on page 9* and *To adjust the adjustable handle on page 9*.
10. Make sure that the drive wheels are engaged. Refer to *To engage and disengage the drive wheels on page 21*.
11. Install a blade. Refer to *To select the correct blade dimension and installation position on page 9*.

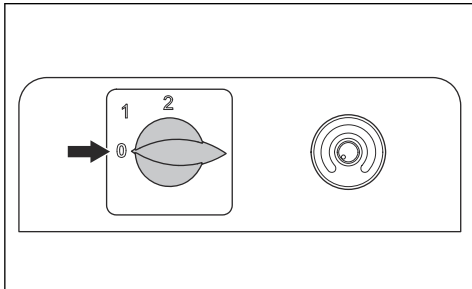


**WARNING:** Use protective gloves. The blades are very sharp.

12. Make sure that the blade is sharp. If it is necessary, replace or sharpen the blade. Refer to *To replace the blade on page 17* and *To sharpen the blade on page 17*.
13. If you use a self-scoring blade, make sure that the angles at the ends of the blade (A) are sharp.



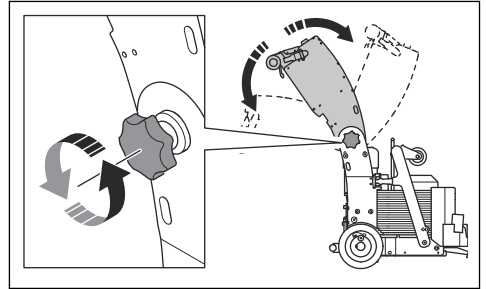
14. Make sure that the start/stop and function selection switch is in the "0" position.



15. Connect the product to a power supply. Refer to *To connect the product to a power supply on page 10*.

## To adjust the handle height

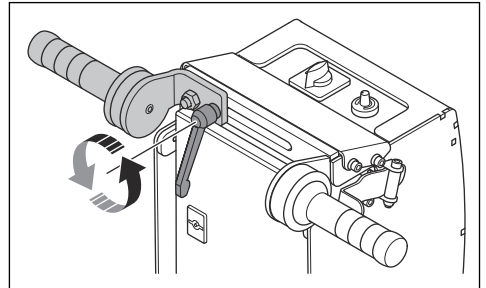
1. Loosen the handle adjustment knob.



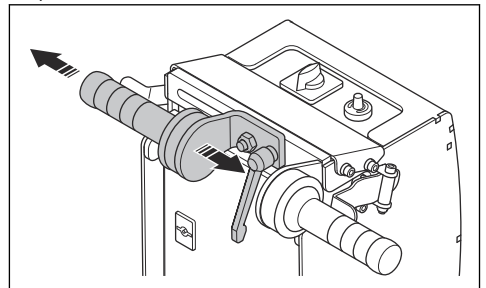
2. Move the handle to an applicable position.
3. Tighten the handle adjustment knob.

## To adjust the adjustable handle

1. Loosen the clamp lever.



2. Move the adjustable handle to an applicable position.



3. Tighten the clamp lever.

## To select the correct blade dimension and installation position

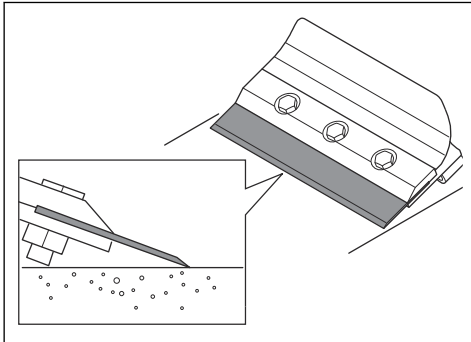


**WARNING:** Use protective gloves. The blades are very sharp.

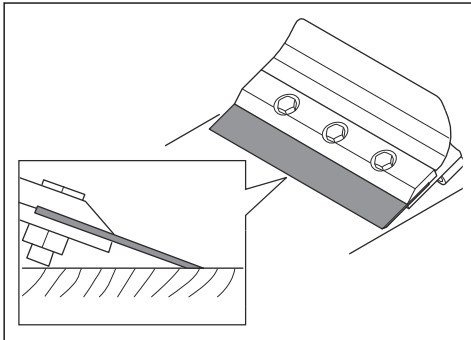
All available blade types can be used for the approved materials: hardwood, ceramics, linoleum, vinyl, carpet, adhesives and glue. Refer to *Blades on page 27*.

It is necessary to select correct dimension and installation of the blade for the material to remove and the subfloor type. Blades of different dimension can be necessary during the same work operation.

- Select a blade of smaller dimension in these situations:
  - a) At the start of an operation.
  - b) Operation on materials with strong adhesive.
  - c) Operation on hard materials.
- Select a blade of wider dimension in these situations:
  - a) Operation on soft materials.
- Select a thicker heavy duty blade for hard materials. A thicker blade also has a longer life.
- Install the blade with the bevel up for removal of materials from concrete floors.



- Install the blade with the bevel down for removal of materials from concrete floors.

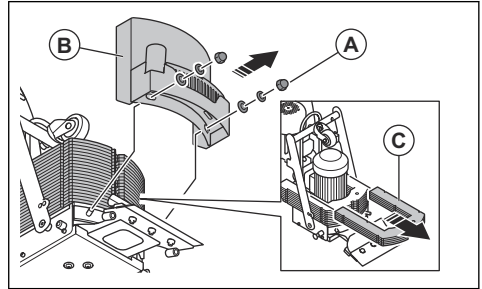


## To remove and install the weights BS 110



**WARNING:** The weights are heavy.

1. Disconnect the power supply.
2. Remove the 2 nuts (A).



3. Remove the cover (B).
4. Remove the weights (C).
5. Install in the opposite sequence.

## To connect a dust extractor



**WARNING:** Do not use the dust extractor if the dust extractor hose is damaged. The risk increases that you breathe in dust that is dangerous to your health. Use approved respiratory protection.

1. Examine the dust extractor hose for damages.
2. Make sure that the filters in the dust extractor are clean and not damaged.
3. Connect the dust extractor hose to the connection for dust extractor. Refer to *Product overview BS 75 on page 2* for information about where the connection for dust extractor is on your product.

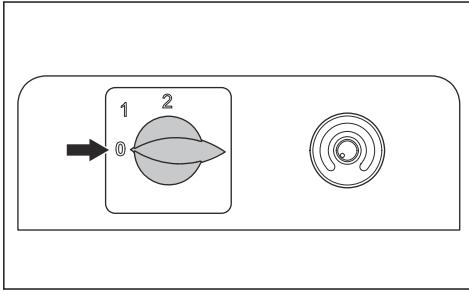
## To connect the product to a power supply

1. Connect an applicable extension cable to the power plug of the product.
2. Connect the extension cable to a mains outlet.

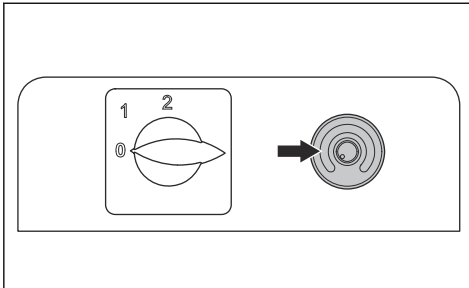
## To start the product

1. Start the dust extractor.

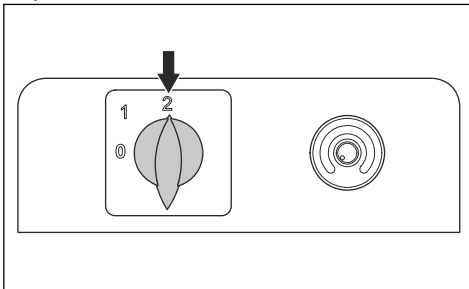
2. Make sure that the start/stop and function selection switch is in the "0" position and the product is connected to the power supply.



3. Turn the speed control counterclockwise to the lowest speed.



4. Turn the function selection switch to the "1" or the "2" position.



**Note:** The "1" position starts the drive motor. The "2" position starts the drive motor and the vibration motor.

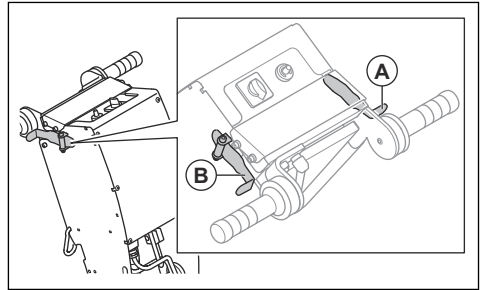
5. Turn the speed control slowly clockwise to the necessary speed.

## To operate the product



**WARNING:** If the product stops of an unknown cause during operation, immediately set the start/stop and function selection switch to "0".

1. Make sure that the function selection switch is set correctly for the operation. Without vibrations: position "1". With vibrations: position "2".
2. Push the drive levers to move the product.

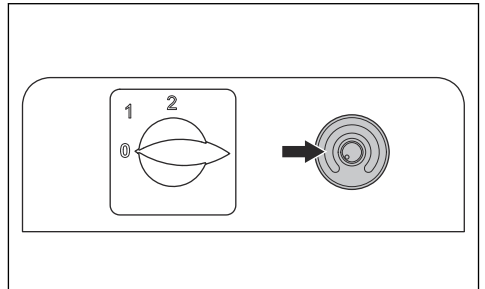


- a) To move the product forward, push the forward drive lever (A). The product moves forward at the set speed.
- b) To move the product forward at maximum speed, push the rearward drive lever (B) while you move forward.
- c) To move the product rearward, push only the rearward drive lever (B).



**WARNING:** Rearward movement of the product is always at maximum speed.

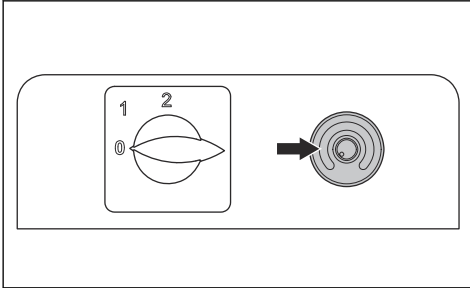
3. Turn the speed control to adjust the set forward speed during operation.



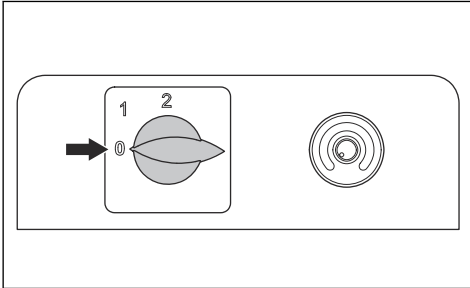
4. To position the blade near a wall, adjust the adjustable handle. Refer to *To adjust the adjustable handle on page 9*.

## To stop the product

1. Turn the speed control counterclockwise to the lowest speed.



2. Release the drive levers.
3. Turn the start/stop and function selection switch to the "0" position.



4. Stop the dust extractor.
5. Disconnect the power supply.

## To remove a soft floor surface



**WARNING:** Use protective gloves. The blades are very sharp.

**Note:** Short blades cut the floors easier than long blades. Long blades are not always better or faster. A short blade usually cleans the floor better than a wide blade.

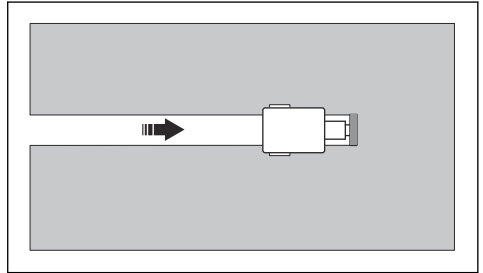
**Note:** The blades are sharp for a longer time if the work area is clean from unwanted material.

1. Use personal protective equipment. Refer to *Personal protective equipment on page 6*.
2. Install a self scoring blade. Refer to *To select the correct blade dimension and installation position on page 9* and *To replace the blade on page 17*.



**WARNING:** Use protective gloves. The blades are very sharp.

3. Make sure that the blade is sharp. Sharpen the blade if it is necessary. Refer to *To sharpen the blade on page 17*.
4. Cut a linear ditch in the floor.

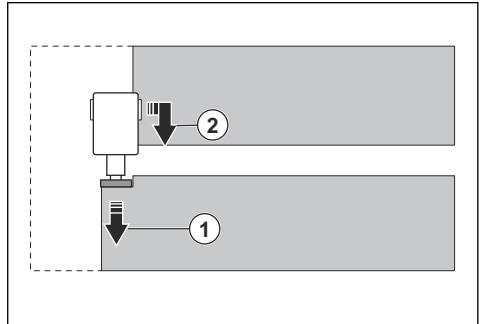


5. Install a flat blade.



**WARNING:** Use protective gloves. The blades are very sharp.

6. Start at the ditch and remove the floor.



## To remove a hard floor surface



**WARNING:** Use protective gloves. The blades are very sharp.

**Note:** Short blades cut the floors easier than long blades. Long blades are not always better or faster. A short blade usually cleans the floor better than a wide blade.

**Note:** The blades are sharp for a longer time if the work area is clean from unwanted material.

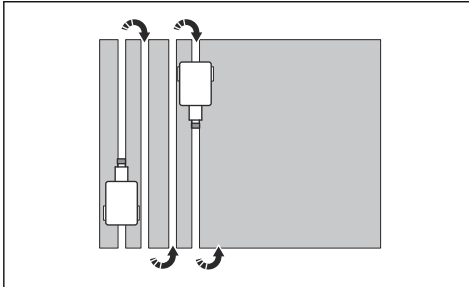
1. Use personal protective equipment. Refer to *Personal protective equipment on page 6*.

2. Install a short blade of the correct type. Refer to *To select the correct blade dimension and installation position on page 9* and *To replace the blade on page 17*.

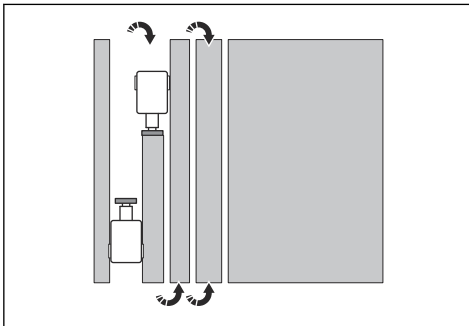


**WARNING:** Use protective gloves.  
The blades are very sharp.

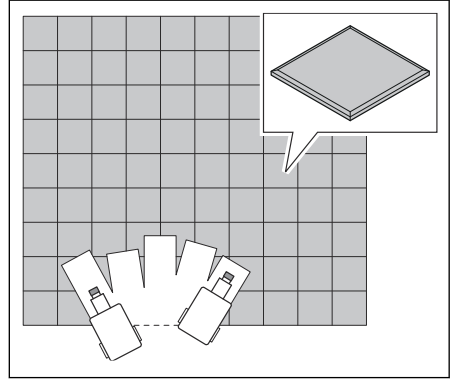
3. Make sure that the blade is sharp. Sharpen the blade if it is necessary. Refer to *To sharpen the blade on page 17*.
4. Cut linear ditches in the floor. Make sure that the distance between the ditches is the same as the width of the long blade.



5. Install a long blade of the correct type. Refer to *To select the correct blade dimension and installation position on page 9* and *To replace the blade on page 17*.
6. Make sure that the blade is sharp. Sharpen the blade if it is necessary. Refer to *To sharpen the blade on page 17*.
7. Remove the floor between the ditches.



**Note:** Use a chisel and move the product in a fan shape pattern to remove tiles and floors made of wood.



## Blade applications

Floor type	Blade application
VCT – Tile (Vinyl Composition Tile)	Do not use a blade wider than the dimension of the tile being removed. If the tiles do not come up clean or the machine jumps on top of the tiles, install a smaller blade until proper blade size is found or use a smaller portion of the blade.

Floor type	Blade application
Vinyl-, Rubber, PVC, Direct glued carpet	The carpet must be scored down (ditching) with a 152mm Self-Scoring blade for correct removal. Pre-scored carpet (ditched) or pre-cut carpet makes the machine easier to control and blades stay sharp longer. Normally 254 mm blades are used on direct glued carpet, secondary backed, unitary, double glued, vinyl foam, urethane foam. Latex foams are easy to remove with a 305 mm blade.
Ceramic (glued with double duty or mud sets)	The ceramic tiles will have to be pre-broken with a mallet or large hammer before removing them with the floorscraper. Use a large hammer to break away enough tiles to create space for the machine or blade to fit in. Or start from a doorway. Use slow speed and small blades or chisel. Keep work area clean to keep good wheel contact with floor.
Wood and wood like floors	Pre-saw the wood with a circular saw. Pound down or remove any nails or metal obstruction to avoid blade damage.
Glued hard wood flooring	For correct removal of hardwood flooring (plank solid, plank laminated, parkay, parquetry laminated), the flooring must be pre-sawed. This is done by using a circular saw set at a depth of 99% of the thickness of the board, just missing the subfloor surface. Draw chalk lines across the floor and pre-saw to blade width. (every 152mm).  True parkay flooring scoring is not necessary. It will come up in small pieces. When working over plywood sub-flooring, try to run machine in the same direction as the grain in the wood. Blade in most cases bevel down. On solid wood floors like plank, run in the same direction as the plank, not cross grain or cross plank. Removing the front counterweights will help on all soft surfaces.
Concrete	When working on concrete slab, normal blade position is bevel up for best performance, especially when cleaning adhesive. On occasion, bevel down gives better blade life.

---

## Maintenance

---

### Introduction



**WARNING:** Before you do maintenance, you must read and understand the safety chapter.

For all servicing and repair work on the product, special training is necessary. We guarantee the availability of professional repairs and servicing. If your dealer is not a service agent, speak to them for information about the nearest service agent.

### Maintenance schedule

\* = General maintenance done by the operator. The instructions are not given in this operator's manual.

X = The instructions are given in this operator's manual.

O = The instructions are not given in this operator's manual. Let an approved service agent do the maintenance.

Maintenance	Daily	Weekly	Each 12 months
Do a check of the all safety devices on the product.	*		
Do a check of the wear and sharpness of the blade.	X		
Make sure that all electric connectors are clean.	X		
Make sure that the motors are clean.	*		

Maintenance	Daily	Weekly	Each 12 months
Clean the external surfaces of the product.	X		
Do a general inspection.	X		
Do a check of the attachment points and the lock function for the weights.		*	
Do a check of the vibration dampening units on the cutting head.		X	
Clean the internal components of the product.			O

### To do a general inspection

- Make sure that the nuts and screws on the product are tightened.
- Make sure that the cables on the product are not in a position where they can become damaged.
- Examine the electrical parts for damage. Do not operate a product that has damaged electrical parts.

### To clean the product



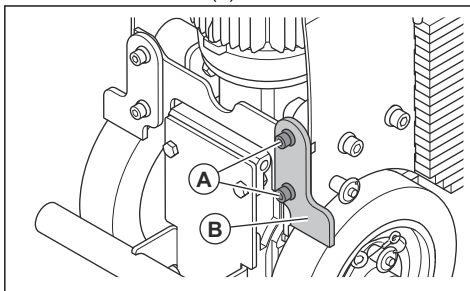
**WARNING:** Clean the product daily to prevent circulation of dangerous dust.

- Clean the product in an applicable area.
- Use approved protective gloves when you clean the product.
- Clean the external surface with a moist cloth.
- Do not use water on electrical components.
- Do not use a high-pressure washer or compressed air to clean the product.

### To clean and adjust the wheel scraper plates

Clean the wheel scraper plates if it is necessary.

1. Disconnect the power supply.
2. Loosen the 2 screws (A).



3. Adjust the wheel scraper plate (B).



**CAUTION:** The wheel scraper plate must touch the wheels but not push hard against the wheel.

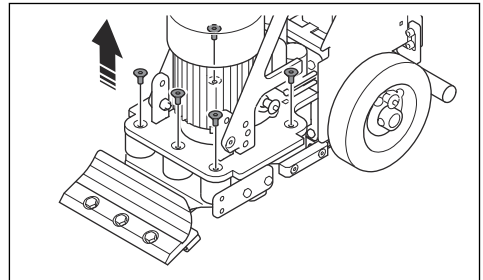
4. Tighten the 2 screws.
5. Do the same procedure on the wheel scraper plate on the other wheel.

### To replace the vibration dampening units BS 75

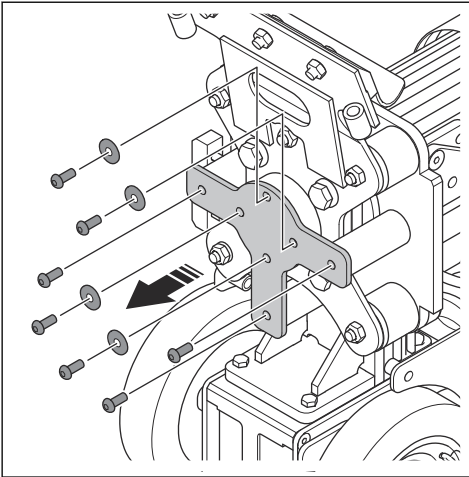


**WARNING:** Use protective gloves. The blades are very sharp.

1. Remove the blade or attach the blade protection. Refer to *To replace the blade on page 17*.
2. Remove the weights. Refer to *To disassemble and assemble the product BS 75 on page 22*.
3. Remove the 5 screws.

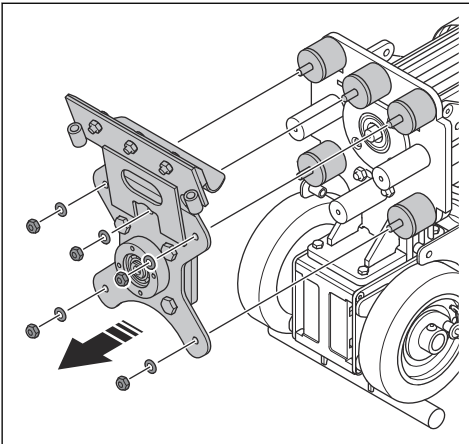


4. Remove the 7 screws.



5. Remove central bolt to release bearing hub.

6. Remove the 5 nuts.



7. Remove the vibration dampening plate and the 5 vibration damping units.

8. Install in the opposite sequence.

### To replace the vibration damping units BS 110

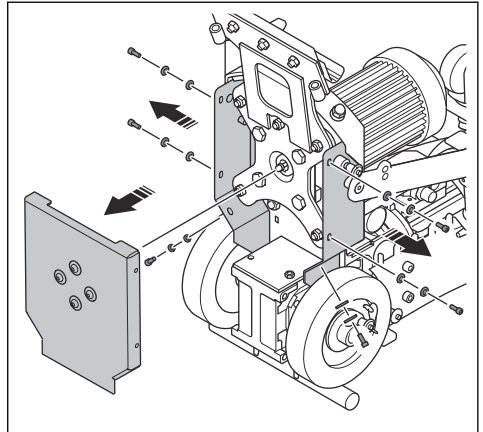
1. Remove the blade. Refer to *To replace the blade on page 17*.



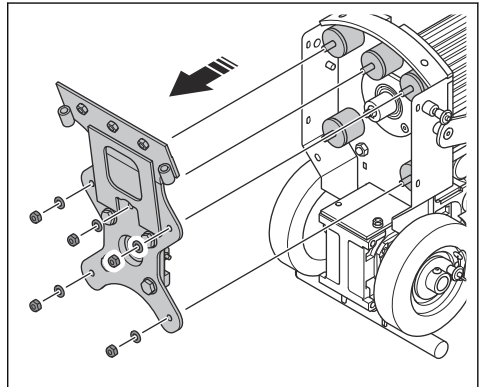
**WARNING:** Use protective gloves.  
The blades are very sharp.

2. Remove the weights. Refer to *To remove and install the weights BS 110 on page 10*.

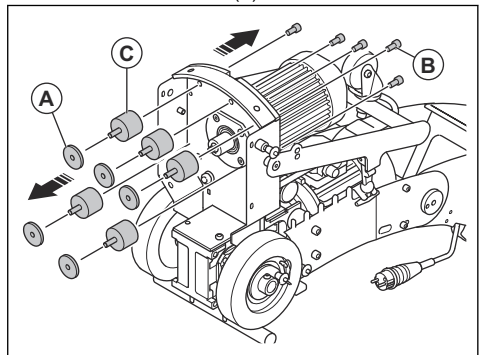
3. Remove the 6 screws and the bottom cover.



4. Remove the 5 nuts and the cutting head.



5. Remove the 5 washers (A).



6. Remove the 5 screws (B) and the 5 vibration damping units (C).

7. Install in the opposite sequence.

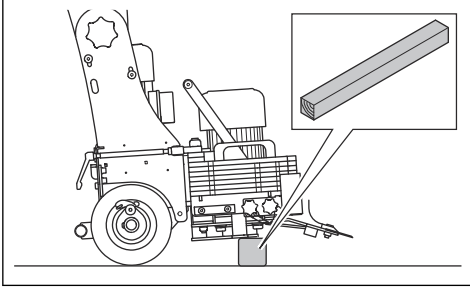


## To replace the blade

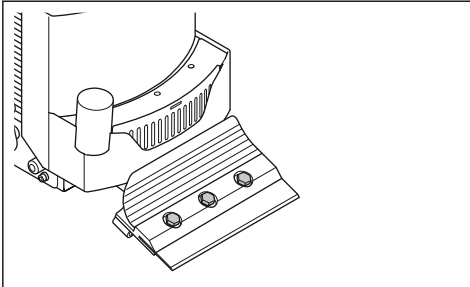


**WARNING:** Use protective gloves. The blades are very sharp.

1. Lift the front of the product and put a support below the product. Make sure that the blade is lifted from the floor.



2. Loosen the 3 screws on the tool holder.



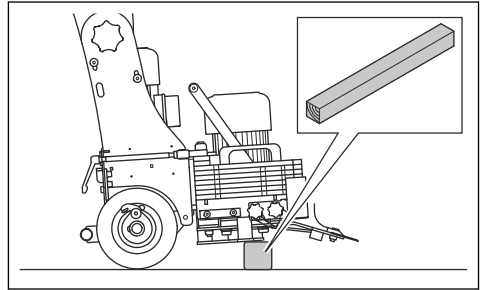
3. Remove the blade.
4. Push the new blade into the tool holder.
5. Make sure that the blade is in the correct position.
6. Tighten the 3 screws on the tool holder.

## To sharpen the blade



**WARNING:** Use protective gloves. The blades are very sharp.

1. Lift the front of the product and put a support below the product. Make sure that the blade is lifted from the floor.

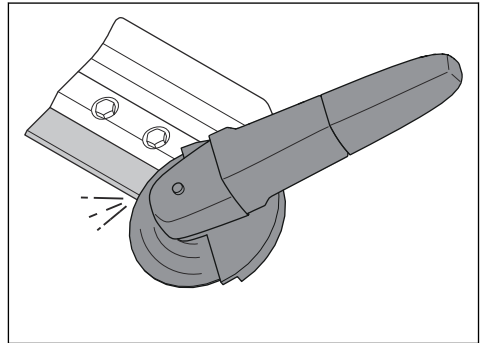


2. Sharpen the blade with an angle grinder. Use a grinding disc with a grit of 120.

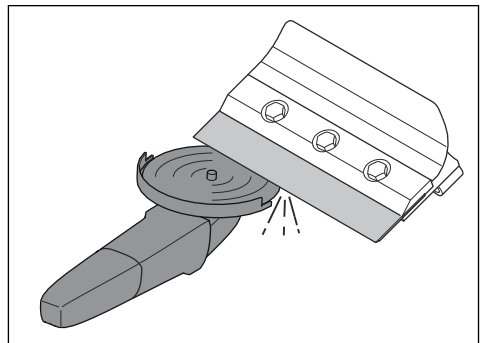


**WARNING:** Make sure that the grinding disc does not catch the edge or corner of the blade.

- a) Grind the top edge of the blade for bevel up.

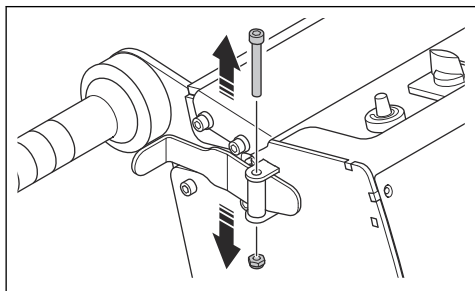


- b) Grind the bottom edge of the blade for bevel down.

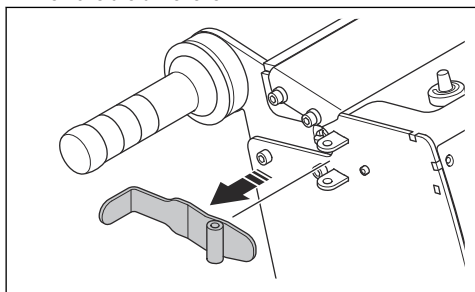


## To adjust a drive lever

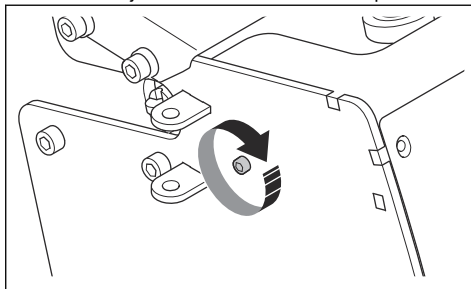
1. Remove the nut and the screw.



2. Remove the drive lever.



3. Turn the adjustment screw to the correct position.



4. Install the drive lever, the screw and the nut.

## Troubleshooting

Problem	Cause	Solution
The product does not start.	The extension cable is disconnected or damaged.	Connect the extension cable or if it is necessary, replace the extension cable. Make sure that the cable is replaced if it is damaged.
	Examine the frequency drive for error codes.	Refer to <i>Error codes on page 19</i> .
	The emergency stop button is engaged.	Turn the emergency stop button on the control panel clockwise to disengage.
The product is not easy to hold on to.	The vibration damping units are worn or damaged.	Replace the vibration damping units.
	The lower motor bearing is defective.	Speak to an approved Husqvarna service agent.
	The blade is blunt or not correctly installed.	Do a check of the blade and sharpen or replace it as necessary.
The product is not easy to move.	There is a blockage at the wheel scraper plates or the wheel scraper plates are damaged.	Clean and examine the wheel scraper plates. Replace damaged parts.
	There is a blockage at the wheels or the wheels are damaged.	Clean and examine the wheels. Replace damaged parts.

Problem	Cause	Solution
The frequency drive stops.	The load is too high or the power supply is not sufficient.	Do a check of the power supply.
The vibration motor does not operate correctly.	The lower motor bearing is defective.	Speak to an approved Husqvarna service agent.

## Error codes

Error code	Name	Cause	Action
uSF	Low voltage.	The supply mains voltage is too low.	Do a check of the supply voltage.
□SF	High voltage.	The supply mains voltage is too high.	Stop the product until the supply voltage is correct.
			Do a check of the supply voltage.
OLF	Motor overload.	To high current in the motor.	Decrease the workload.
nSt	Freewheel stop assignment.	Drive handle is pushed in at HMI during start up.	Release the drive handles during start up.
□PF2	3 motor phase loss.	The motor is disconnected or the motor power is too low.	Make sure that the motor is connected.
SCF1	Motor short circuit.	Short circuit in the motor cables.	Do a check of the connections of the main circuit power supply.
SCF3	Motor short circuit.	Short circuit in the motor cables.	Do a check of the motor connections and the insulation of the motor.
SCF5	Motor short circuit.	Short circuit in the motor cables.	Do a check of the motor connections and the insulation of the motor.
tJF	The inverter is to hot.	The ambient temperature is to high.	Do a check of the cooling fan.
		The the workload is to high.	Decrease the workload.
□HF	The motor is to hot.	The ambient temperature is to high.	Do a check of the cooling fan.
		The the workload is to high.	Decrease the workload.

## Transportation, storage and disposal

### Transportation



**WARNING:** Be careful during transportation. The product is heavy and can cause injury or damage if it falls or moves during transportation.



**WARNING:** Remove the tool or attach the blade guard before transportation of the product. Use protective gloves. The blades are very sharp.

The wheels let you move the product manually for shorter distances. Refer to *To transport the product on the wheels BS 75 on page 20* and *To transport the product on the wheels BS 110 on page 20*.

For longer distances, lift the product to move it or put the product on a vehicle. Refer to *To lift the product on page 21* and *To attach the product to a transportation vehicle on page 22*.

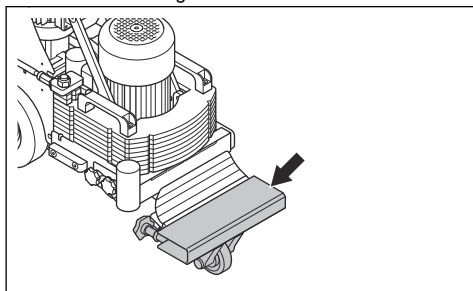
- Be very careful when you move the product manually or on surfaces with a slope. Small slopes can result in a strong movement that is not possible to brake by hand.
- Put some type of protection on the product during transportation. The protection keeps natural elements such as rain and snow away from the product.

### To transport the product on the wheels BS 75



**WARNING:** Use protective gloves. The blades are very sharp.

1. Disconnect the power supply.
2. Attach the blade guard.



3. Disengage the drive wheels. Refer to *To engage and disengage the drive wheels on page 21*.
4. Push the product slowly.

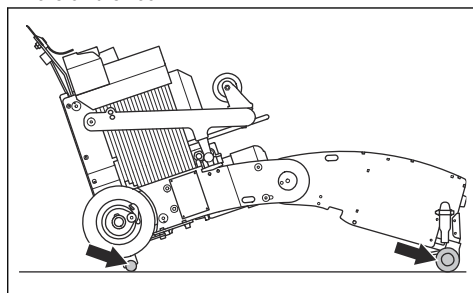
### To transport the product on the wheels BS 110

1. Disconnect the power supply.
2. Make sure that the tool is removed from the tool holder.

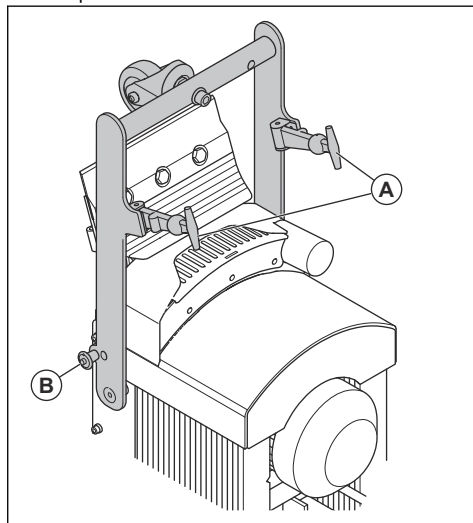


**WARNING:** Use protective gloves. The blades are very sharp.

3. Tilt the product until the foot support and the handle are on the floor.



4. Loosen the 2 rubber clamps (A) and move the transport wheel forward.



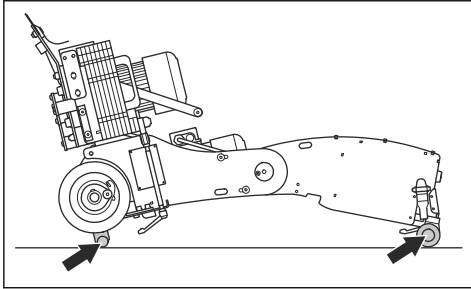
5. Install the locking pins (B) for the transport wheel on the right and the left side.
6. Disengage the drive wheels. Refer to *To engage and disengage the drive wheels on page 21*.

7. Lift the product by the handle until all 3 wheels are on the floor.
8. Push the product slowly.

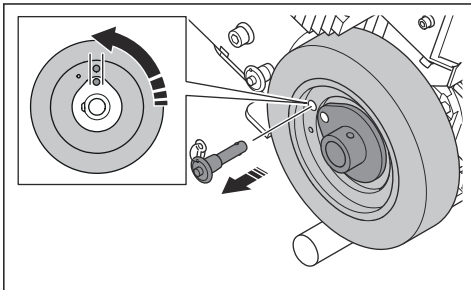
## To engage and disengage the drive wheels

The drive wheels are engaged when the locking pin is in the inner hole and disengaged when the locking pin is in the outer hole.

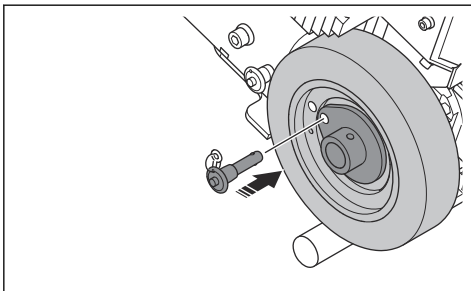
1. Tilt the product until the foot support and the handle are on the floor.



2. Turn the wheels until the 2 holes are aligned and pull out the locking pin.



3. Put the locking pin in the inner hole to engage the drive wheels.



4. To disengage the drive wheels, put the locking pin in the outer hole.

## To move the product up and down a ramp



**WARNING:** Be very careful when you move the product up and down ramps with the motor on. The product is heavy and there is a risk of injury if the product falls or moves too quickly.



**WARNING:** For ramps with a steep slope, always use a winch. Do not stay below or near the product.



**WARNING:** Do not move the product on steep slopes. Look at the rating plate on the product for information about the maximum slope angle.

- To move the product down a ramp, operate the product rearward slowly.
- To move the product up a ramp, operate the product forward slowly.
- Do not turn the product more than 45° on a ramp.

## To lift the product



**WARNING:** Make sure that the lifting equipment has the correct specification to lift the product safely. The rating plate on the product shows the product weight.



**WARNING:** Do not walk or stay below or near a lifted product. Keep bystanders away from the risk area.

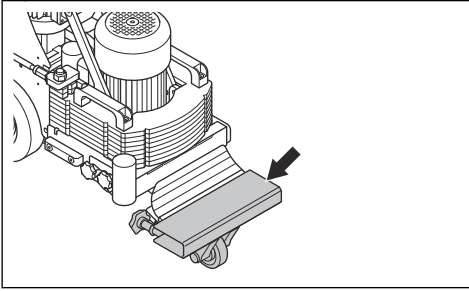


**WARNING:** Do not lift a damaged product. Make sure that the lifting point is correctly installed and not damaged.



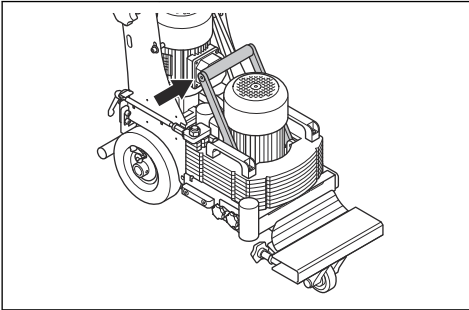
**WARNING:** Do not lift the product by the handlebar, motor or chassis.

1. Remove the tool or attach the blade protection cover.



**WARNING:** Use protective gloves. The blades are very sharp.

2. Make sure that the drive wheels are engaged. Refer to *To engage and disengage the drive wheels on page 21.*
3. Attach the lifting equipment at the lifting point.



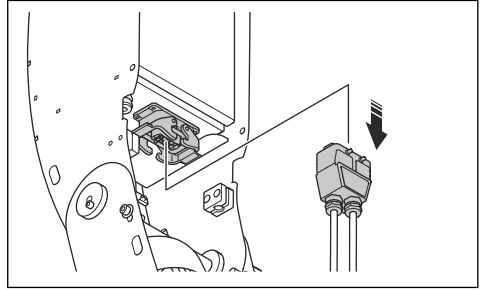
4. Lift the product slowly.

## To attach the product to a transportation vehicle

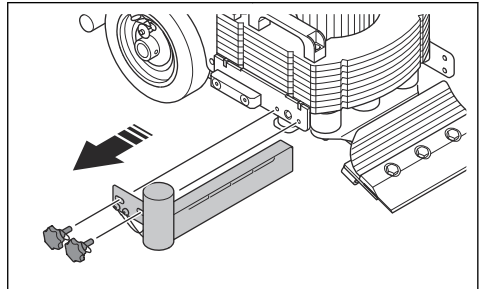
1. Make sure that the drive wheels are engaged. Refer to *To engage and disengage the drive wheels on page 21.*
2. Attach tie-down straps to the lifting point.
3. Attach and tighten the tie-down straps to the transportation vehicle.
4. Make sure that the product cannot move.

## To disassemble and assemble the product BS 75

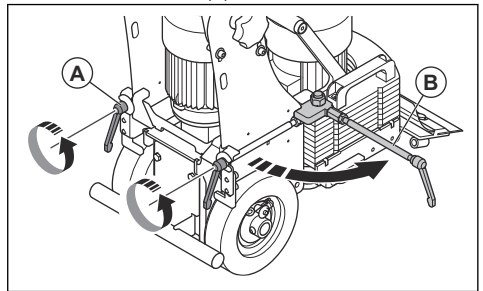
1. Disconnect the power supply.



2. Remove the unit with the connection for the dust extractor.

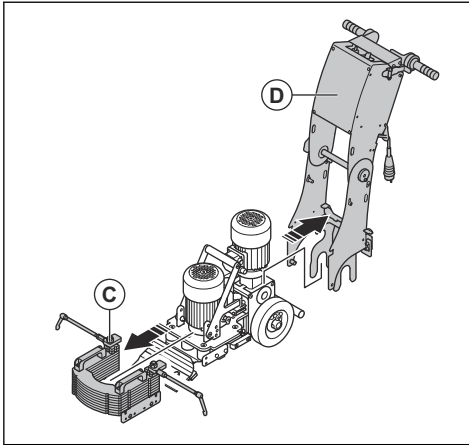


3. Loosen the 2 knobs (A).



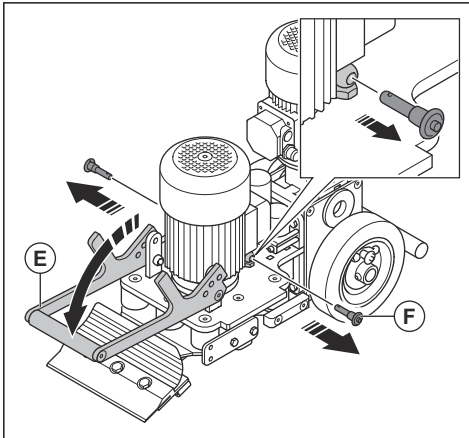
4. Turn the 2 levers forward (B).

5. Move the weight (C) forward.



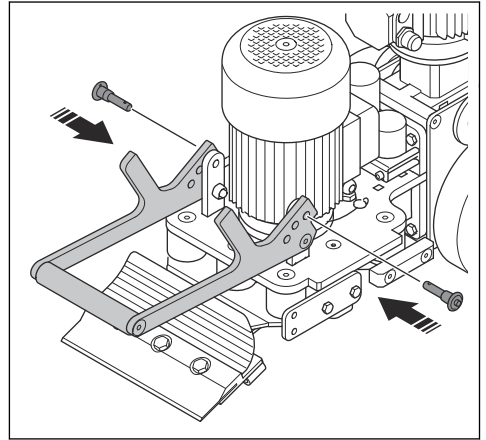
6. Lift the handle unit (D).

7. Tilt the lifting handle (E) forward.



8. Remove the 2 locking pins (F).

9. Lock the lifting handle in the forward position with the locking pins.



10. Assemble in the opposite sequence.

### Storage of the product

- Storage of the product must be indoors only.
- Keep the product in a locked area to prevent access for children or persons that are not approved.
- Keep the product in a dry and frost free area.

### Disposal of the product

- Obey the local recycling requirements and applicable regulations.
- When the product no longer is used, send it to a Husqvarna dealer or discard it at a recycling location.

## Technical data

	BS 75	BS 110
Drive motor power, kW	0.75	0.75
Vibration motor power, kW	0.75	0.75
Forward speed, m/min	2.5–18.5	2.5–18.5
Rearward speed, m/min	2.5–18.5	2.5–18.5
Rated voltage, V	200–240	200–240
Frequency, Hz	50–60	50–60
Weight, kg	129	170

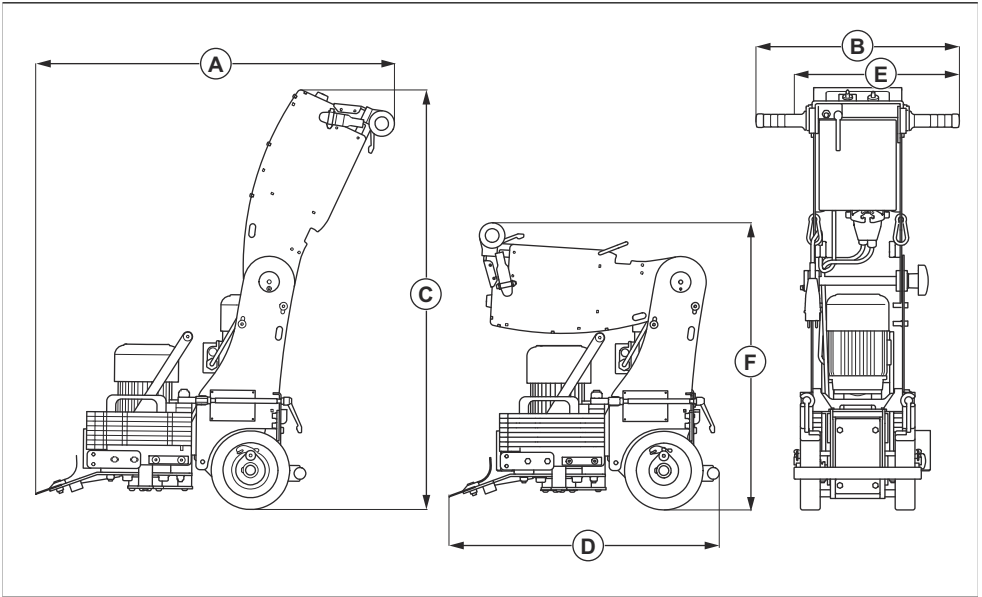
	<b>BS 75</b>	<b>BS 110</b>
Additional weight, kg	10	–
Working temperature, °C	-10–40	-10–40
Relative humidity max, %	95	95
Sound power level $L_{WA}$ measured, dB(A) <sup>1</sup>	70	75
Vibration level $a_h$ , m/s <sup>22</sup>	4.0	4.6

## Noise and vibration declaration statement

These declared values were obtained by laboratory type testing in accordance with the stated directive or standards and are suitable for comparison with the declared values of other products tested in accordance with the same directive or standards. These declared

values are not suitable for use in risk assessments and values measured in individual work places may be higher. The actual exposure values and risk of harm experienced by an individual user are unique and depend upon the way the user works, in what material the product is used, as well as upon the exposure time and the physical condition of the user, and the condition of the product.

## Product dimensions BS 75



<b>A</b>	Length, mm	872
<b>B</b>	Maximum width, mm	515

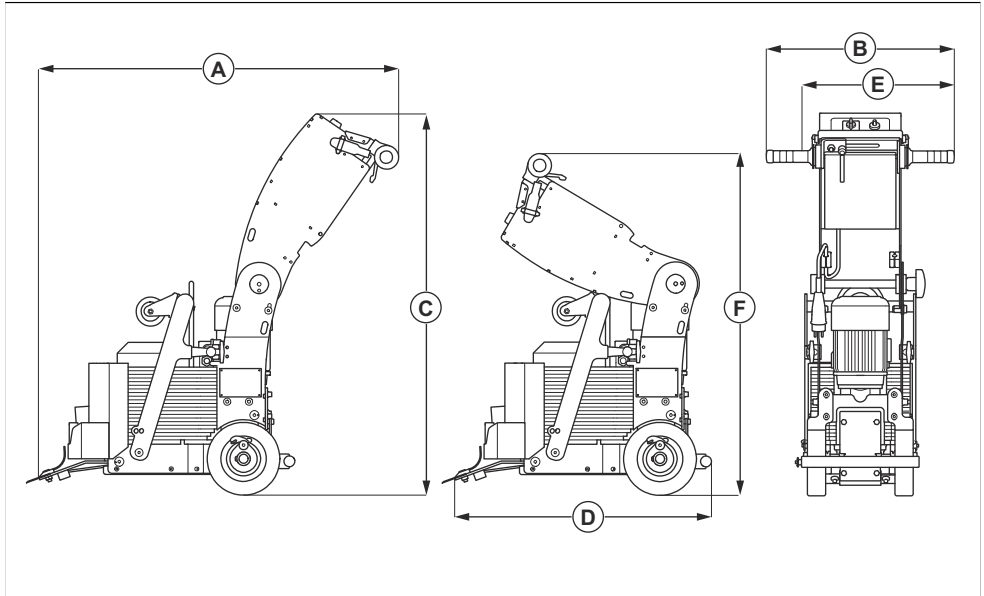
<sup>1</sup> Noise emissions in the environment measured as sound power ( $L_{WA}$ ) in conformity with EN-ISO 11202:2010 and EN-ISO 3437:2010. Uncertainty  $K_{wa}$  2.5dB.

<sup>2</sup> Vibration level according to EN ISO 20643:2008. Reported data for vibration level has a typical statistical dispersion (standard deviation) of 1 m/s<sup>2</sup>.



<b>C</b>	Height, mm	1069
<b>D</b>	Length with handle folded, mm	654
<b>E</b>	Minimum width, mm	419
<b>F</b>	Height with handle folded, mm	741

## Product dimensions BS 110



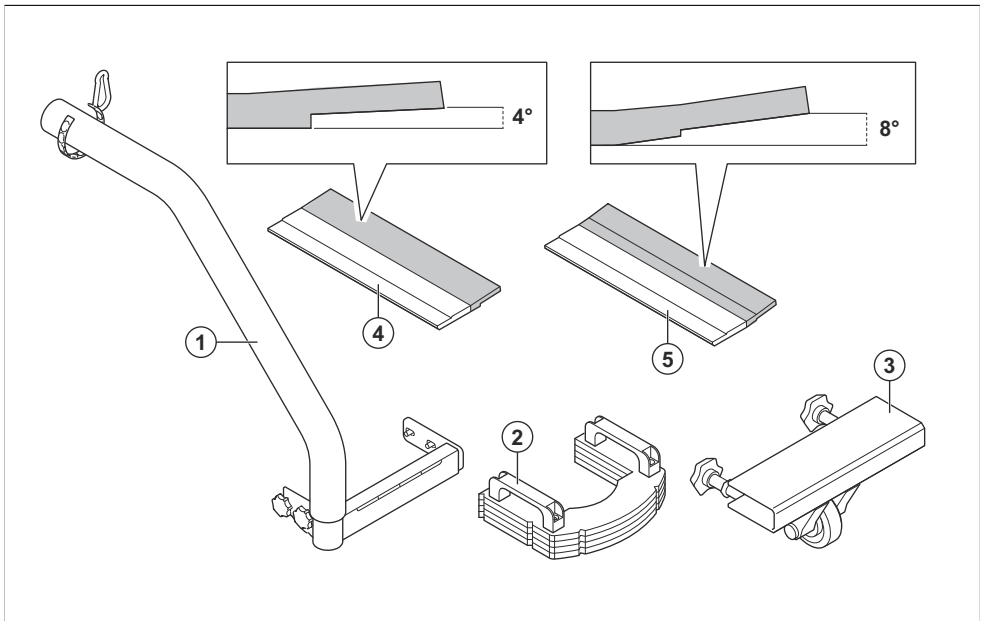
<b>A</b>	Length, mm	956
<b>B</b>	Maximum width, mm	515
<b>C</b>	Height, mm	1069
<b>D</b>	Length with handle folded, mm	738
<b>E</b>	Minimum width, mm	419
<b>F</b>	Height with handle folded, mm	944

## Extension cables

Cable length	Cross section			
	≤ 16 A	≤ 32 A	≤ 63 A	≤ 125 A
Calculated at a pre-fuse GG <sup>3</sup> :	16 amp	32 amp	63 amp	125 amp
> 20m	1.5 mm <sup>2</sup>	2.5 mm <sup>2</sup>	10 mm <sup>2</sup>	25 mm <sup>2</sup>
20m > 50m	2.5 mm <sup>2</sup>	4 mm <sup>2</sup>	10 mm <sup>2</sup>	25 mm <sup>2</sup>
50m > 75m	4 mm <sup>2</sup>	6 mm <sup>2</sup>	16 mm <sup>2</sup>	35 mm <sup>2</sup>

## Accessories

### Accessories BS 75



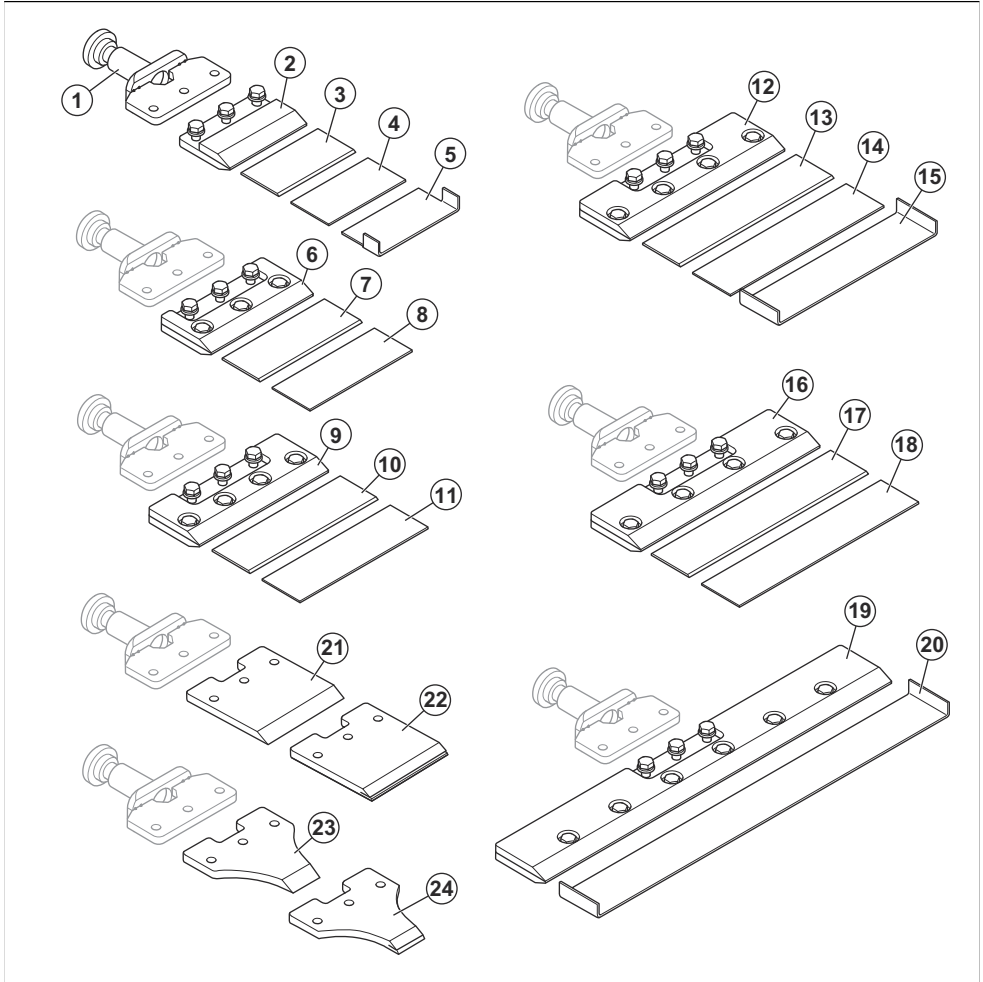
1	Suction hose
2	Weights
3	Blade guard.

<sup>3</sup> The cross sections must be re-calculated when other type or dimension pre-fuse are used than is given.

4	Angle adjustment plate 4°
5	Angle adjustment plate 8°

## Blades

All blades are not applicable for all products. Speak to an approved Husqvarna service agent.



Position	Type	Dimension (mm)
1	Support for chisel or bladeholder	-

<b>Position</b>	<b>Type</b>	<b>Dimension (mm)</b>
2	Blade holder	152
3	Heavy duty blade	152x76x2,5
4	Premium blade	152x76x1,5
5	Self scoring blade	152x76x1,5
6	Blade holder	203
7	Heavy duty blade	203x76x2,5
8	Premium blade	203x76x1,5
9	Blade holder	254
10	Heavy duty blade	254x76x2,5
11	Premium blade	254x76x1,5
12	Blade holder	305
13	Heavy duty blade	305x76x2,5
14	Premium blade	305x76x1,5
15	Self scoring blade	305x76x1,5
16	Blade holder	355
17	Heavy duty blade	355x76x2,5
18	Premium blade	355x76x1,6
19	Blade holder	685
20	Self scoring blade	686x76x1,5
21	Premium chisel	152x12
22	Heavy duty chisel	152x12
23	Premium chisel	51x12
24	Heavy duty chisel	51x12

---

# Declaration of Conformity

---

## EU Declaration of Conformity

We, Husqvarna AB, SE-561 82 Huskvarna, Sweden, tel:  
+46- 36-146500, declare on our sole responsibility that  
the product:

Description	Scraper
Brand	Husqvarna
Type/Model	BS-75, BS-110
Identification	Serial numbers dating from 2022 and onwards

complies fully with the following EU directives and  
regulations:

Directive/Regulation	Description
2006/42/EC	"relating to machinery"
2014/30/EU	"relating to electromagnetic compatibility"

and that the following standards and/or technical  
specifications are applied;

EN ISO 12100:2010, EN 60204-1:2006

Partille, 2022-01-24



Martin Huber  
R&D Director, Concrete Surfaces & Floors  
Husqvarna AB, Construction Division  
Responsible for technical documentation



# Inhalt

Einleitung.....	30	Transport, Lagerung und Entsorgung.....	49
Sicherheit.....	32	Technische Daten.....	53
Betrieb.....	37	Zubehör.....	56
Wartung.....	43	Konformitätserklärung.....	59
Fehlersuche.....	47		

# Einleitung

## Gerätebeschreibung

Das Gerät ist ein handgeführter Bodenabzieher für Oberflächen unterschiedlicher Härte.

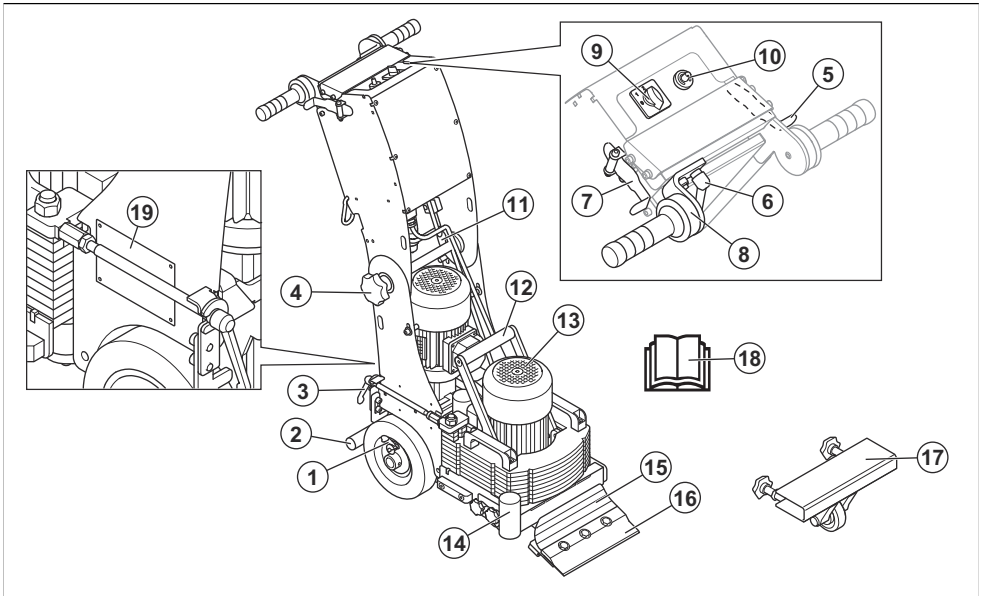
und weichen Unterböden zu entfernen. Verwenden Sie das Gerät zum Entfernen von Hartholz, Keramik, Linoleum, PVC, Teppich, Klebstoffe und Leim. Verwenden Sie das Gerät nicht für andere Aufgaben.

## Verwendungszweck

Das Gerät wird verwendet, um Oberflächenmaterialien mit unterschiedlicher Härte von Betonböden, Holzböden

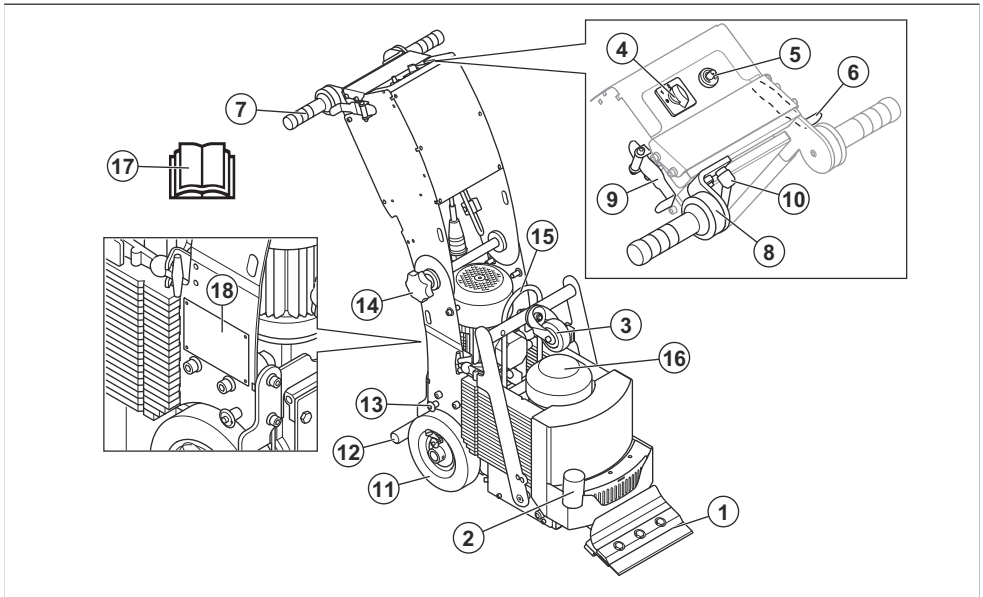
Das Gerät ist für die industrielle Verwendung durch professionelle Bediener vorgesehen.

## Geräteübersicht BS 75



- |  |                                 |
|--|---------------------------------|
| 1. Antriebsrad mit Sperrstift                      | 10. Drehzahlregelung            |
| 2. Stützfuß  | 11. Stromanschluss              |
| 3. Hebel zum Zerlegen des Geräts                   | 12. Hebegriff                   |
| 4. Einstellknopf für den Handgriff                 | 13. Vibrationsmotor             |
| 5. Vorwärtshebel                                   | 14. Anschluss für Staubabsauger |
| 6. Klemmhebel für verstellbaren Handgriff          | 15. Werkzeughalter              |
| 7. Rückwärtshebel                                  | 16. Klinge                      |
| 8. Verstellbarer Griff                             | 17. Trennscheibenschutz         |
| 9. Start-/Stopp-Schalter und Funktionswahlschalter | 18. Bedienungsanleitung         |

## Geräteübersicht BS 110



1. Werkzeughalter und Klinge
2. Anschluss für Staubabsauger
3. Transportrad
4. Start-/Stopp-Schalter und Funktionswahlschalter
5. Drehzahlregelung
6. Vorwärtshebel
7. Stoßdämpfender Handgriff
8. Verstellbarer Griff
9. Rückwärtshebel
10. Klemmhebel für verstellbaren Handgriff
11. Antriebsrad mit Sperrstift
12. Stützfuß
13. Sperrstift für das Transportrad
14. Einstellknopf für den Handgriff
15. Hebeöse
16. Vibrationsmotor
17. Bedienungsanleitung
18. Typenschild



Hochspannung.



Hebepunkt am Gerät.



Lesen Sie die Bedienungsanleitung sorgfältig durch, und machen Sie sich mit den Anweisungen vertraut, bevor Sie das Gerät verwenden.



Tragen Sie einen zugelassenen Atemschutz.



Tragen Sie einen zugelassenen Gehörschutz.



Tragen Sie einen zugelassenen Augenschutz.

### Symbole auf dem Gerät



**WARNUNG:** Dieses Gerät kann gefährlich sein und schwere oder tödliche Verletzungen des Bedieners oder anderer Personen verursachen. Gehen Sie vorsichtig vor, und verwenden Sie das Gerät ordnungsgemäß.



Tragen Sie zugelassene Schutzhandschuhe.



Tragen Sie zugelassene Schutzstiefel.



Stopp.



Rückwärts fahren.



Vorwärts fahren.



Schnell.



Langsam.



Antriebsräder aktiviert.



Werkzeug aktiviert.

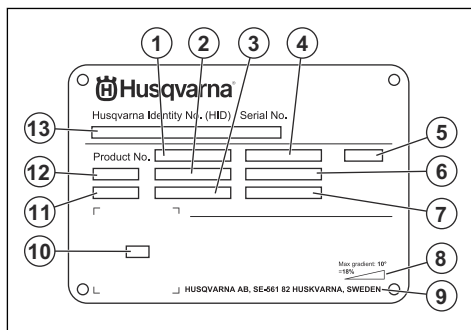


Dieses Gerät entspricht den geltenden EU-Richtlinien.

**Hinweis:** Sonstige Symbole/Aufkleber auf dem Gerät beziehen sich auf spezielle

Zertifizierungsanforderungen, die in bestimmten Ländern gelten.

## Typenschild



1. Gerätenummer
2. Gerätegewicht
3. Nennleistung
4. Nennspannung
5. Gehäuse
6. Nennstrom
7. Häufigkeit
8. Maximaler Neigungswinkel
9. Hersteller
10. Scanbarer Code
11. Baujahr
12. Modell
13. Seriennummer

## Produkthaftung

Im Sinne der Produkthaftungsgesetze übernehmen wir keine Haftung für Schäden, die unser Gerät verursacht, wenn...

- das Gerät nicht ordnungsgemäß repariert wird.
- das Gerät mit Teilen repariert wird, die nicht vom Hersteller stammen oder nicht vom Hersteller zugelassen sind.
- ein Zubehörteil mit dem Gerät verwendet wird, das nicht vom Hersteller stammt oder nicht vom Hersteller zugelassen ist.
- das Gerät nicht bei einem zugelassenen Service Center oder von einem zugelassenen Fachmann repariert wird.

## Sicherheit

### Sicherheitsdefinitionen

Warnungen, Vorsichtsmaßnahmen und Hinweise werden verwendet, um auf besonders wichtige Teile der Bedienungsanleitung hinzuweisen.



**WARNUNG:** Wird verwendet, wenn bei Nichtbeachtung der Anweisungen in diesem Handbuch die Gefahr von Verletzung oder



Tod des Bedieners oder anderer Personen besteht.



**ACHTUNG:** Wird verwendet, wenn bei Nichtbeachtung der Anweisungen in diesem Handbuch die Gefahr von Schäden am Gerät, an anderen Materialien oder in der Umgebung besteht.

**Hinweis:** Für weitere Informationen, die in bestimmten Situationen nötig sind.

## Allgemeine Sicherheitshinweise



**WARNUNG:** Lesen Sie die folgenden Warnhinweise, bevor Sie das Gerät benutzen.

- Dieses Gerät ist ein gefährliches Werkzeug, wenn Sie nicht aufpassen oder es unsachgemäß verwenden. Dieses Gerät kann schwere oder tödliche Verletzungen des Bedieners oder anderer Personen verursachen. Es ist sehr wichtig, dass Sie vor der Anwendung des Geräts den Inhalt dieser Bedienungsanleitung gelesen und verstanden haben.
- Bewahren Sie alle Warn- und Sicherheitshinweise auf.
- Halten Sie alle geltenden Gesetze und Vorschriften ein.
- Der Bediener und dessen Arbeitgeber müssen die mit dem Betrieb des Geräts verbundenen Gefahren kennen und vermeiden.
- Untersagen Sie allen Personen die Benutzung des Geräts, bis diese den Inhalt der Bedienungsanleitung gelesen und verstanden haben.
- Verwenden Sie das Gerät nicht, ohne vorher dafür geschult worden zu sein. Stellen Sie sicher, dass alle Bediener Schulungen erhalten.
- Lassen Sie nicht zu, dass Kinder das Gerät verwenden.
- Es dürfen nur zugelassene Personen mit dem Gerät arbeiten.
- Der Bediener ist für Unfälle verantwortlich, die anderen Personen zustoßen oder an deren Eigentum entstehen.
- Verwenden Sie das Gerät nicht, wenn Sie müde oder krank sind oder unter Einfluss von Alkohol, Drogen oder Medikamenten stehen.
- Lassen Sie immer Vorsicht walten, und arbeiten Sie mit gesundem Menschenverstand.
- Dieses Gerät erzeugt beim Betrieb ein elektromagnetisches Feld. Dieses Feld kann sich unter bestimmten Bedingungen auf die Funktionsweise aktiver oder passiver medizinischer Implantate auswirken. Um die Gefahr von

Situationen, die zu schweren oder tödlichen Verletzungen führen können, zu verringern, sollten Personen mit einem medizinischen Implantat vor der Nutzung dieses Gerätes mit ihrem Arzt und dem Hersteller des Implantats sprechen.

- Halten Sie das Gerät sauber. Stellen Sie sicher, dass Symbole und Aufkleber deutlich lesbar sind.
- Verwenden Sie das Gerät nicht, wenn es defekt ist.
- Nehmen Sie keine Modifikationen am Gerät vor.
- Bedienen Sie das Gerät nicht, wenn die Möglichkeit besteht, dass andere Personen Modifikationen daran durchgeführt haben.

## Sicherheitshinweise für den Betrieb



**WARNUNG:** Lesen Sie die folgenden Warnhinweise, bevor Sie das Gerät verwenden.

- Tragen Sie eine persönliche Schutzausrüstung. Siehe *Persönliche Schutzausrüstung auf Seite 35*.
- Eine übermäßige Belastung durch Vibrationen kann bei Personen mit verminderter Durchblutung Kreislauf- oder Nervenschäden verursachen. Suchen Sie einen Arzt auf, wenn Sie an Ihrem Körper Symptome feststellen, die darauf hinweisen, dass Sie zu starken Vibrationen ausgesetzt waren. Zu diesen Symptomen zählen beispielsweise Einschlafen von Körperteilen, Gefühlsverlust, Kitzeln, Stechen, Schmerz, Verlust oder Beeinträchtigung der normalen Körperkraft, Veränderungen der Hautfarbe oder der Hautbeschaffenheit. Diese Beschwerden treten normalerweise in den Fingern, Händen und Handgelenken auf.
- Bedienen Sie das Gerät nicht, ohne dass alle Schutzabdeckungen montiert sind.
- Stellen Sie sicher, dass Sie wissen, wie der Motor in einem Notfall schnell gestoppt werden kann.
- Bevor Sie sich vom Gerät entfernen, stoppen Sie den Motor, und ziehen Sie das Netzkabel ab. Stellen Sie sicher, dass versehentliches Starten verhindert wird.
- Achten Sie darauf, dass sich Kleidung, langes Haar und Schmuck nicht in beweglichen Teilen verfangen können
- Stellen Sie sicher, dass Sie während der Arbeit eine sichere und stabile Position einnehmen.
- Bedienen Sie das Gerät nur auf horizontalen Flächen.
- Bedienen Sie das Gerät nur dann, wenn Sie bei einem Unfall Hilfe bekommen können
- Verwenden Sie immer zugelassenes Zubehör. Ihr Husqvarna-Händler steht Ihnen gern für weitere Informationen zur Verfügung.
- Wenn Vibrationen im Gerät auftreten oder es ungewöhnlich laut ist, stoppen Sie es umgehend. Untersuchen Sie das Gerät auf beschädigte Teile. Reparieren Sie Schäden, oder lassen Sie

eine zugelassene Servicewerkstatt die Reparatur durchführen.

- Stellen Sie sich nicht auf das Gerät.
- Stellen Sie sicher, dass der Luftstrom des Vibrationsmotors nicht beeinträchtigt ist.
- Schließen Sie das Gerät zur Entfernung des Staubs an einen Staubabsauger an.
- Ziehen Sie nicht am Schlauch des Staubabsaugers. Das Gerät kann herunterfallen und Verletzungen oder Schäden verursachen.
- Lassen Sie den Staubabsauger eingeschaltet, bis der Motor ganz zum Stillstand gekommen ist.
- Bedienen Sie das Gerät nur von hinten mit Ihren Händen am Handgriff.
- Achten Sie darauf, dass sich auf den Handgriffen kein Fett oder Öl befindet.
- Halten Sie die zwei Räder des Geräts bei Betrieb immer auf dem Boden.

## Vibrationen Sicherheit



**WARNUNG:** Lesen Sie die folgenden Warnhinweise, bevor Sie das Produkt benutzen.

- Beim Betrieb des Geräts kommt es zu Vibrationen, die vom Gerät auf den Anwender übertragen werden. Regelmäßiger und häufiger Betrieb des Geräts kann zu Verletzungen des Anwenders führen oder Symptome verstärken. Es kann zu Verletzungen an Fingern, Händen, Handgelenken, Armen, Schultern und/oder Nerven sowie bei der Blutversorgung oder an anderen Körperteilen kommen. Die Verletzungen können hinderlich und/oder chronisch werden und sich allmählich über Wochen, Monate oder Jahre hinweg verstärken. Zu möglichen Verletzungen können Schäden am Blutkreislauf, am Nervensystem, an Gelenken und anderen Körperteilen gehören.
- Symptome können während des Betriebs des Geräts oder zu einem anderen Zeitpunkt auftreten. Wenn Sie bereits Symptome haben und das Gerät weiter bedienen, können sich die Symptome verstärken oder chronisch werden. Wenn Sie diese oder andere Symptome an sich bemerken, wenden Sie sich an einen Arzt:
  - Taubheit, Gefühlsverlust, Kribbeln, Stechen, Schmerz, Brennen, Pochen, Steifheit, Schwerfälligkeit, Verlust von Kraft, Veränderungen an Hautfarbe oder Hautzustand.
- Bei niedrigen Temperaturen können sich die Symptome verstärken. Tragen Sie warme Kleidung und halten Sie Ihre Hände warm und trocken, wenn Sie das Gerät in kalten Umgebungen betreiben.
- Warten und betreiben Sie das Gerät gemäß den Anweisungen der Bedienungsanleitung, um einen vorschriftsmäßigen Vibrationspegel sicherzustellen.
- Das Gerät verfügt über ein Antivibrationssystem, das die Vibrationen an den Griffen für den

Bediener reduziert. Lassen Sie das Gerät die Arbeit verrichten. Drücken Sie das Gerät nicht mit Kraft. Halten Sie das Produkt leicht an den Griffen fest, aber stellen Sie sicher, dass Sie es kontrollieren und sicher bedienen. Drücken Sie das Gerät nicht häufiger als nötig in die Endanschläge.

- Platzieren Sie Ihre Hände nur auf dem Griff bzw. den Griffen. Halten Sie alle anderen Körperteile vom Gerät fern.
- Stoppen Sie das Gerät sofort, wenn plötzlich starke Vibrationen auftreten. Setzen Sie den Betrieb erst fort, wenn die Ursache für die gesteigerten Vibrationen beseitigt wurde.

## Staubtechnische Sicherheit



**WARNUNG:** Lesen Sie die folgenden Warnhinweise, bevor Sie das Gerät verwenden.

- Der Betrieb des Geräts kann Staub in der Luft verursachen. Staub kann schwere Verletzungen und permanente Gesundheitsprobleme verursachen. Silikatstaub wurde von verschiedenen Behörden als schädlich eingestuft. Dies sind Beispiele für derartige Gesundheitsprobleme:
  - Die tödlichen Lungenkrankheiten chronische Bronchitis, Silikose und Lungenfibrose
  - Krebs
  - Angeborene Fehlbildungen
  - Hautentzündung
- Verwenden Sie eine angemessene Ausstattung, um die Menge von Staub und Dämpfen in der Luft und den Staub auf Arbeitsgeräten, Oberflächen, Kleidung und Körperteilen zu verringern. Beispiele dafür sind Staubsammelanlagen und Wassernebel zum Binden des Staubs. Reduzieren Sie den Staub an der Quelle, falls möglich. Stellen Sie sicher, dass die Ausstattung korrekt montiert ist und verwendet wird und dass sie regelmäßig gewartet wird.
- Tragen Sie einen zugelassenen Atemschutz. Stellen Sie sicher, dass der Atemschutz für die gefährlichen Materialien im Arbeitsbereich geeignet ist.
- Stellen Sie sicher, dass der Arbeitsbereich ausreichend belüftet ist.

## Lärm – Sicherheit



**WARNUNG:** Lesen Sie die folgenden Warnhinweise, bevor Sie das Gerät benutzen.

- Ein hoher Geräuschpegel und Lärmbelastung über einen langen Zeitraum können zu lärmbedingten Hörschäden führen.
- Um den Geräuschpegel auf einem Minimum zu halten, warten und betreiben Sie das Gerät gemäß den Anweisungen der Bedienungsanleitung.

- Tragen Sie einen zugelassenen Gehörschutz beim Arbeiten mit dem Gerät.
- Beachten Sie Warnsignale und Stimmen, wenn Sie einen Gehörschutz tragen. Entfernen Sie den Gehörschutz, wenn das Gerät ausgeschaltet wird, es sei denn, er ist bei dem Geräuschpegel in Ihrem Arbeitsbereich erforderlich.

## Persönliche Schutzausrüstung



**WARNUNG:** Lesen Sie die folgenden Warnhinweise, bevor Sie das Gerät verwenden.

- Verwenden Sie stets die vorgeschriebene persönliche Schutzausrüstung bei der Bedienung des Geräts. Die persönliche Schutzausrüstung kann Verletzungen nicht vollständig vermeiden, vermindert aber den Umfang der Verletzungen und Schäden bei einem Unfall. Lassen Sie sich bei der Auswahl der korrekten persönlichen Schutzausrüstung von Ihrem Händler beraten.
- Überprüfen Sie regelmäßig den Zustand der persönlichen Schutzausrüstung.
- Verwenden Sie einen zugelassenen Schutzhelm.
- Tragen Sie einen zugelassenen Gehörschutz.
- Tragen Sie einen zugelassenen Atemschutz.
- Tragen Sie einen zugelassenen Augenschutz mit seitlicher Abschirmung.
- Tragen Sie stets Schutzhandschuhe.
- Tragen Sie Stiefel mit Stahlkappe und rutschfester Sohle.
- Tragen Sie zugelassene Arbeitskleidung oder gleichwertige, eng anliegende Kleidung mit langen Ärmeln und langen Hosenbeinen.

## Feuerlöscher

- Halten Sie in der Nähe des Arbeitsbereichs einen Feuerlöscher griffbereit.
- Verwenden Sie einen Pulver-Feuerlöscher oder einen Kohlendioxid-Feuerlöscher.

## Sicherheit im Arbeitsbereich



**WARNUNG:** Lesen Sie die folgenden Warnhinweise, bevor Sie das Gerät verwenden.

- Verwenden Sie das Gerät nicht bei Nebel, Regen, starkem Wind, kaltem Wetter, Gewittergefahr oder anderen schlechten Wetterbedingungen.
- Verwenden Sie das Gerät nicht in Bereichen, in denen Feuer oder Explosionen auftreten können.
- Achten Sie darauf, dass sich Kinder, umstehenden Personen und Tiere nicht im Arbeitsbereich aufhalten und in einem sicheren Abstand zum Gerät befinden.

- Stellen Sie sicher, dass sich nur befugte Personen im Arbeitsbereich befinden.
- Achten Sie auf einen sauberen und ausreichend hellen Arbeitsbereich.
- Entfernen Sie Objekte wie Schrauben, Bolzen, Kabel und Steine aus dem Arbeitsbereich, bevor Sie das Gerät verwenden.
- Stellen Sie sicher, dass sich keine Kabel oder Schläuche in der Betriebsrichtung des Geräts befinden.
- Achten Sie im Arbeitsbereich auf eine ausreichende Belüftung.

## Elektrische Sicherheit



**WARNUNG:** Bei elektrisch angetriebenen Geräten besteht immer die Gefahr von elektrischen Schlägen. Verwenden Sie das Gerät nicht bei schlechtem Wetter. Berühren Sie keine Blitzableiter und Metallgegenstände. Verwenden Sie das Gerät immer gemäß den in diesem Betriebshandbuch hinterlegten Anweisungen, um Verletzungen zu vermeiden.



**WARNUNG:** Verwenden Sie stets eine Stromversorgung mit Fehlerstromgerät (RCD). Durch ein RCD wird das Risiko von Stromschlägen verringert.



**WARNUNG:** Hochspannung. Das Antriebsaggregat enthält ungeschützte Teile. Trennen Sie immer den Netzstecker, bevor Sie die Klappe des Schaltkastens öffnen.



**ACHTUNG:** Die Stromversorgung aus dem Gerät oder vom Generator muss ausreichend und konstant sein, um einen störungsfreien Betrieb des Motors sicherzustellen. Eine falsche Spannung führt dazu, dass der Stromverbrauch und die Temperatur des Motors ansteigen, bis der Sicherheitskreis ausgelöst wird. Die Auslegung des Netzkabels muss mit den nationalen und lokalen Vorschriften übereinstimmen. Die Auslegung der Netzsteckdose muss mit der Stromstärke der Steckdose und des Verlängerungskabels des Geräts übereinstimmen.

Wenn das Stromnetz einen höheren Systemwiderstand aufweist, kann beim Starten des Geräts die Spannung kurzzeitig abfallen. Dies kann den Betrieb anderer

Geräte beeinflussen, z. B. ein Flackern des Lichts verursachen.

- Kontrollieren Sie, ob die Leistung, die Sicherung und die Netzspannung mit dem entsprechenden Spannungswert auf dem Typenschild des Geräts übereinstimmen.
- Schalten Sie das Gerät immer aus, bevor Sie den Netzstecker ziehen.
- Verwenden Sie das Gerät nicht, wenn Kabel oder Stecker beschädigt sind. Übergeben Sie es zur Reparatur an ein autorisiertes Kundendienstzentrum. Ein beschädigtes Netzkabel kann zu schweren und tödlichen Verletzungen führen.
- Verwenden Sie das Netzkabel nach Vorschrift. Verwenden Sie das Netzkabel nicht, um das Gerät zu verschieben, zu ziehen oder von der Netzspannung zu trennen. Ziehen Sie direkt am Stecker, um das Netzkabel abzuziehen. Ziehen Sie nicht am Netzkabel.
- Betreiben Sie das Gerät nicht in einer Wassertiefe, in der die Ausstattung des Geräts nass wird. Die Ausstattung kann beschädigt werden, und das Gerät kann durch führende Spannung Verletzungen verursachen.
- Achten Sie darauf, dass nicht mehr Feuchtigkeit in das Gerät gelangt, als durch das Wassersystem eingespeist wird. Halten Sie das Gerät von Regen fern. Wasser, das in das Gerät eindringt, erhöht das Risiko eines elektrischen Schlags.
- Achten Sie immer darauf, dass das Netzkabel getrennt ist, wenn Sie den Stecker des Motorkabels und des Schaltkastens ein- oder ausstecken.

### Anweisungen für geerdete Geräte



**WARNUNG:** Ein falscher Anschluss kann zu einem Stromschlag führen. Wenden Sie sich an einen qualifizierten Elektriker, wenn Sie Zweifel daran haben, ob die Netzsteckdose richtig geerdet ist.

Nehmen Sie keine Modifikationen am Netzstecker vor. Dieser muss den Werksspezifikationen entsprechen. Wenn der Netzstecker oder das Netzkabel beschädigt ist oder ersetzt werden muss, wenden Sie sich an Ihre Husqvarna Servicewerkstatt. Beachten Sie die vor Ort geltenden Vorschriften und Gesetze.

Wenden Sie sich an einen qualifizierten Elektriker, wenn Sie die Anweisungen hinsichtlich des geerdeten Geräts nicht vollständig verstehen.

Verwenden Sie nur geerdete Verlängerungskabel für den Außenbereich mit Erdungssteckern und einer Erdungssteckdose, die für den Netzstecker des Geräts geeignet ist.

Das Gerät verfügt über ein geerdetes Netzkabel und einen Netzstecker. Schließen Sie das Gerät immer an eine geerdete Steckdose an. Dadurch verringert sich die Gefahr eines elektrischen Schlags, wenn eine Störung vorliegt.

Verwenden Sie keine elektrischen Adapter am Gerät.

### Verlängerungskabel

- Verwenden Sie nur zugelassene Verlängerungskabel mit ausreichender Länge.
- Der Nennwert auf dem Verlängerungskabel muss dem auf dem Typenschild des Geräts angegebenen Wert entsprechen oder höher sein.
- Verwenden Sie Schuko-Verlängerungskabel.
- Wenn Sie das Gerät im Freien benutzen, verwenden Sie ein für den Außeneinsatz geeignetes Verlängerungskabel. Dadurch wird das Risiko von Stromschlägen verringert.
- Achten Sie darauf, dass die Verbindung mit dem Verlängerungskabel trocken ist und keinen Bodenkontakt hat.
- Halten Sie das Verlängerungskabel fern von Hitzequellen, Öl, scharfen Kanten und beweglichen Teilen. Ein beschädigtes Kabel erhöht das Risiko eines Stromschlags.
- Stellen Sie sicher, dass sich das Verlängerungskabel in einem guten Zustand befindet und unbeschädigt ist.
- Verwenden Sie das Verlängerungskabel nicht im aufgewickelten Zustand. Dies kann dazu führen, dass das Verlängerungskabel zu heiß wird.
- Vergewissern Sie sich, dass sich das Verlängerungskabel hinter Ihnen und dem Gerät befindet, wenn Sie mit dem Gerät arbeiten. Dadurch wird eine Beschädigung des Verlängerungskabels vermieden.

### Sicherheitsvorrichtungen am Gerät



**WARNUNG:** Lesen Sie die folgenden Warnhinweise, bevor Sie das Gerät benutzen.

- Benutzen Sie kein Gerät mit defekten Sicherheitsvorrichtungen.
- Führen Sie regelmäßig eine Überprüfung der Sicherheitsvorrichtungen durch. Wenn die Sicherheitsvorrichtungen defekt sind, wenden Sie sich an Ihre Husqvarna-Servicewerkstatt.

### So prüfen Sie den Start-/Stopp- und Funktionswahlschalter

1. Stellen Sie den Start-/Stopp- und Funktionswahlschalter auf „0“.
2. Schließen Sie das Gerät an die Stromversorgung an.

3. Stellen Sie den Start-/Stopp- und Funktionswahlschalter auf „1“. Der Antriebsmotor startet.
4. Stellen Sie den Start-/Stopp- und Funktionswahlschalter auf „2“. Der Antriebsmotor ist eingeschaltet und der Vibrationsmotor startet.
5. Stellen Sie den Start-/Stopp- und Funktionswahlschalter auf „0“.
6. Stellen Sie sicher, dass der Antriebsmotor und der Vibrationsmotor anhalten.

## Sicherheitshinweise für die Wartung



**WARNUNG:** Lesen Sie die folgenden Warnhinweise, bevor Sie das Gerät verwenden.

- Tragen Sie eine persönliche Schutzausrüstung. Siehe *Persönliche Schutzausrüstung auf Seite 35*.
- Führen Sie nur Wartungsarbeiten durch, die gemäß dieser Betriebsanleitung vorgegeben sind. Lassen Sie alle anderen Wartungsarbeiten von einer autorisierten Servicewerkstatt durchführen.
- Wenn die Wartung nicht ordnungsgemäß und regelmäßig erfolgt, erhöhen sich die Verletzungsgefahr und das Risiko für eine Beschädigung des Geräts.
- Reinigen Sie das Gerät, und entfernen Sie gefährliches Material vor der Wartung.
- Bevor Sie die Wartung durchführen, stoppen Sie den Motor und ziehen den Netzstecker ab.
- Führen Sie die Wartung des Geräts auf einem stabilen, ebenen Untergrund durch.
- Nehmen Sie keine Modifikationen am Produkt vor. Veränderungen am Gerät, die vom Hersteller nicht genehmigt wurden, können zu schweren Verletzungen oder zum Tod führen.
- Ersetzen Sie beschädigte, verschlissene oder defekte Teile.
- Verwenden Sie immer Originalersatzteile und Originalzubehör. Zubehör und Ersatzteile, die vom Hersteller nicht genehmigt wurden, können zu schweren Verletzungen oder zum Tod führen.
- Führen Sie nach der Wartung eine Überprüfung des Vibrationswerts im Gerät durch. Wenn er nicht korrekt ist, wenden Sie sich an eine autorisierte Servicewerkstatt.
- Lassen Sie das Gerät regelmäßig von einer autorisierten Servicewerkstatt warten.

## Betrieb

### Einleitung



**WARNUNG:** Vor dem Betrieb des Gerätes müssen Sie die Sicherheitsinformationen lesen und verstehen.

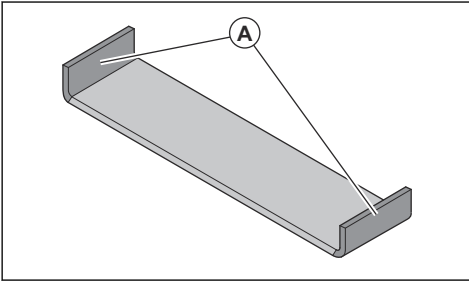
### Bevor Sie das Gerät bedienen

1. Lesen Sie die Bedienungsanleitung sorgfältig durch, und stellen Sie sicher, dass Sie die Anweisungen verstehen.
2. Lesen Sie die Bedienungsanleitung für den Staubabsauger sorgfältig durch, und vergewissern Sie sich, dass Sie die Anweisungen verstanden haben.
3. Tragen Sie eine persönliche Schutzausrüstung. Siehe *Persönliche Schutzausrüstung auf Seite 35*.
4. Warten Sie das Gerät täglich. Siehe *Wartungsplan auf Seite 43*.
5. Stellen Sie sicher, dass das Gerät korrekt zusammengebaut und unbeschädigt ist.
6. Stellen Sie sicher, dass sich nur befugte Personen im Arbeitsbereich befinden.
7. Stellen Sie das Gerät in den Arbeitsbereich. Stellen Sie sicher, dass der Transport des Geräts zum und im Arbeitsbereich sicher und ordnungsgemäß erfolgt. Siehe *Transport, Lagerung und Entsorgung auf Seite 49*.
8. Schließen Sie einen Staubabsauger an das Gerät an. Siehe *So schließen Sie einen Staubabsauger an auf Seite 39*.
9. Bringen Sie den Handgriff in eine geeignete Betriebsposition. Siehe *So stellen Sie die Handgriffhöhe ein auf Seite 38* und *So stellen Sie den verstellbaren Griff ein auf Seite 38*.
10. Stellen Sie sicher, dass die Antriebsräder aktiviert sind. Siehe *So aktivieren und deaktivieren Sie die Antriebsräder auf Seite 50*.
11. Montieren Sie eine Klinge. Siehe *So wählen Sie die richtige Klinge abmessung und Installationsposition aus auf Seite 38*.
12. Vergewissern Sie sich, dass die Klinge scharf geschliffen ist. Ersetzen Sie die Klinge bei Bedarf. Siehe *So tauschen Sie die Klinge aus auf Seite 46* und *So schärfen Sie die Klinge auf Seite 46*.

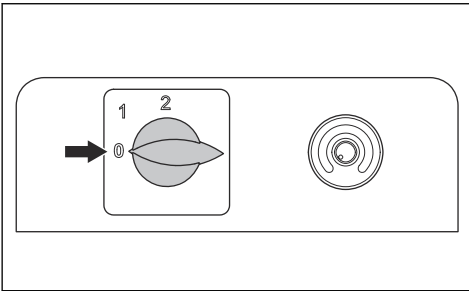


**WARNUNG:** Tragen Sie stets Schutzhandschuhe. Die Klingen sind sehr scharf.

13. Wenn Sie eine selbststritzende Klinge verwenden, stellen Sie sicher, dass die Winkel an den Enden der Klinge (A) scharf sind.



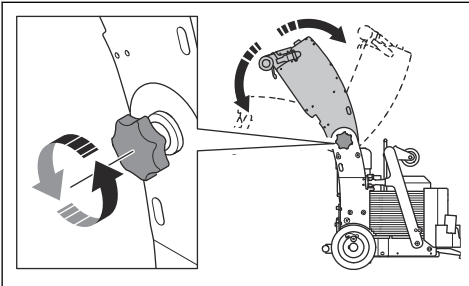
14. Stellen Sie sicher, dass sich der Start-/Stopp- und der Funktionswahlschalter in der Stellung „0“ befindet.



15. Schließen Sie das Gerät an eine Stromversorgung an. Siehe *So schließen Sie das Gerät an eine Stromversorgung an auf Seite 39*.

## So stellen Sie die Handgriffhöhe ein

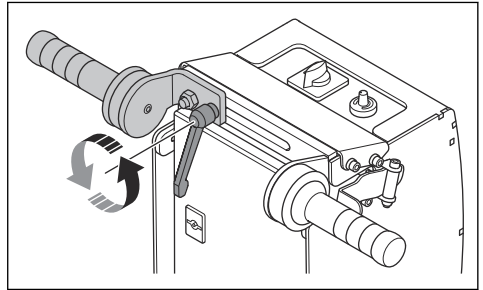
1. Lösen Sie den Einstellknopf für den Handgriff.



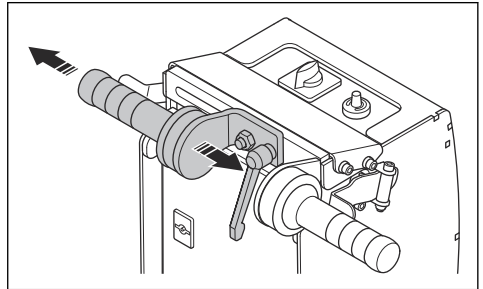
2. Bringen Sie den Handgriff in eine entsprechende Position.  
3. Ziehen Sie den Einstellknopf für den Handgriff an.

## So stellen Sie den verstellbaren Griff ein

1. Lösen Sie die Klemmhebel.



2. Stellen Sie den verstellbaren Griff in eine entsprechende Position.



3. Ziehen Sie den Klemmhebel an.

## So wählen Sie die richtige Klingensabmessung und Installationsposition aus



**WARNUNG:** Tragen Sie stets Schutzhandschuhe. Die Klengen sind sehr scharf.

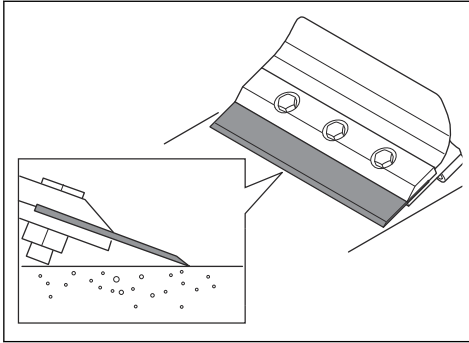
Alle verfügbaren Klingensarten können für die zugelassenen Materialien verwendet werden: Hartholz, Keramik, Linoleum, PVC, Teppich, Klebstoffe und Leim. Siehe *Klingen auf Seite 57*.

Es ist notwendig, die richtige Abmessung und Installation der Klinge für das zu entfernende Material und den Unterbodentyp auszuwählen. Klengen unterschiedlicher Abmessungen können während des selben Arbeitsvorgangs erforderlich sein.

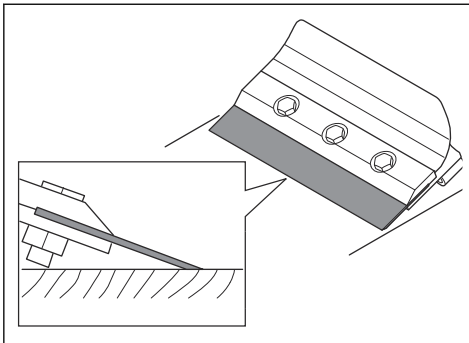
- Wählen Sie in diesen Situationen eine Klinge mit kleinerer Abmessung aus:
  - a) Vor der Arbeit.
  - b) Arbeit an Materialien mit starkem Klebstoff.
  - c) Arbeit an harten Materialien.
- Wählen Sie in diesen Situationen eine Klinge mit breiterer Abmessung aus:

a) Arbeit an weichen Materialien.

- Wählen Sie eine dickere Hochleistungsklinge für harte Materialien. Eine dickere Klinge hat auch eine längere Lebensdauer.
- Installieren Sie die Klinge mit der Abschrägung nach oben, um Materialien von Betonböden zu entfernen.



- Installieren Sie die Klinge mit der Abschrägung nach unten, um Materialien von Holzböden und weichen Unterböden zu entfernen.



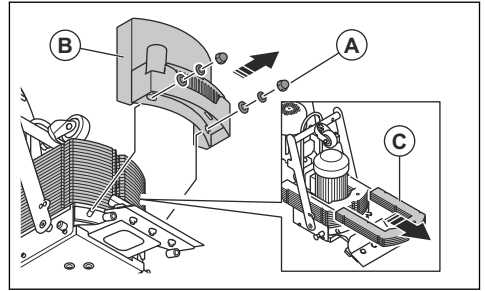
## So entfernen und montieren Sie die Gewichte BS 110



**WARNUNG:** Die Gewichte sind schwer.

1. Trennen Sie das Netzteil.

2. Entfernen Sie die 2 Muttern (A).



3. Entfernen Sie das Gehäuse (B).
4. Entfernen Sie die Gewichte (C).
5. Die Installation erfolgt in umgekehrter Reihenfolge.

## So schließen Sie einen Staubabsauger an



**WARNUNG:** Verwenden Sie den Staubabsauger nicht, wenn der Staubabsaugerschlauch beschädigt ist. In diesem Fall steigt das Risiko, dass Sie gesundheitsgefährdenden Staub einatmen. Tragen Sie einen zugelassenen Atemschutz.

1. Untersuchen Sie den Staubabsaugerschlauch auf Beschädigungen.
2. Stellen Sie sicher, dass die Filter im Staubabsauger sauber und unbeschädigt sind.
3. Schließen Sie den Staubabsaugerschlauch an den Anschluss für den Staubabsauger an. Unter *Geräteübersicht BS 75 auf Seite 30* finden Sie Informationen darüber, wo sich der Anschluss für den Staubabsauger am Gerät befindet.

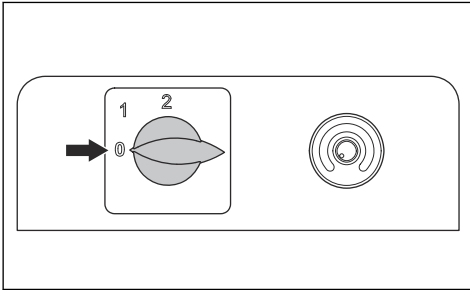
## So schließen Sie das Gerät an eine Stromversorgung an

1. Schließen Sie ein geeignetes Verlängerungskabel an den Netzstecker des Geräts an.
2. Stecken Sie den Netzstecker des Verlängerungskabels in eine Netzsteckdose.

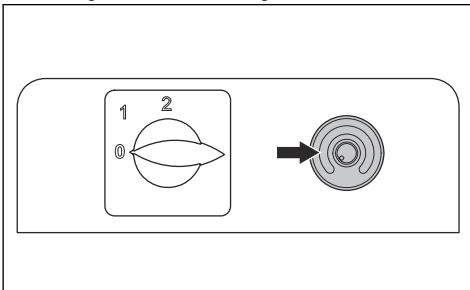
## So starten Sie das Gerät

1. Starten Sie den Staubabsauger.

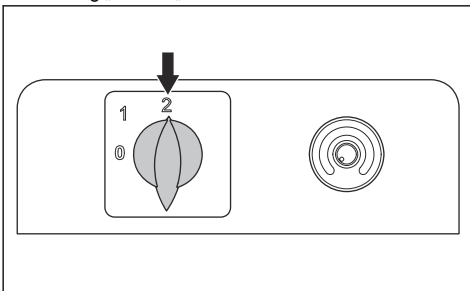
2. Stellen Sie sicher, dass sich der Start-/Stopp- und Funktionswahlschalter in der Stellung „0“ befindet und das Gerät an die Stromversorgung angeschlossen ist.



3. Drehen Sie die Drehzahlregelung gegen den Uhrzeigersinn auf die niedrigste Drehzahl.



4. Drehen Sie den Funktionswahlschalter in die Stellung „1“ oder „2“.



**Hinweis:** Die Stellung „1“ startet den Antriebsmotor. Die Position „2“ startet den Antriebsmotor und den Vibrationsmotor.

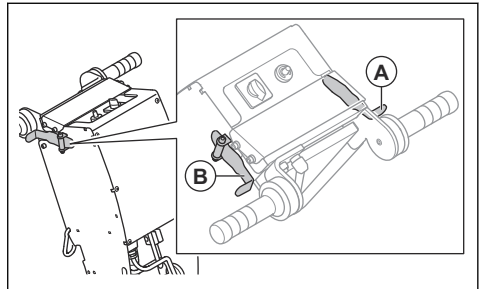
5. Drehen Sie den Drehzahlregler langsam im Uhrzeigersinn auf die gewünschte Drehzahl.

## So bedienen Sie das Gerät



**WARNUNG:** Wenn das Gerät während des Betriebs aus einem unbekanntem Grund anhält, stellen Sie den Start-/Stopp- und Funktionswahlschalter sofort auf „0“.

1. Stellen Sie sicher, dass der Funktionswahlschalter für den Betrieb korrekt eingestellt ist. Ohne Vibrationen: Stellung „1“. Mit Vibrationen: Stellung „2“.
2. Drücken Sie die Antriebshebel, um das Gerät zu bewegen.

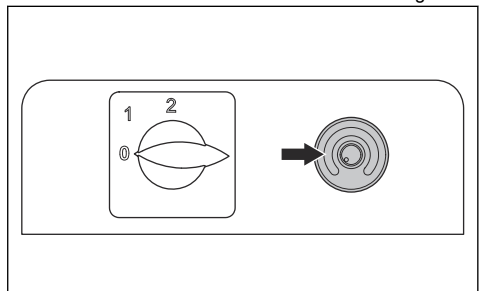


- a) Um das Gerät vorwärts zu bewegen, drücken Sie den Vorwärtshebel (A). Das Gerät bewegt sich mit der eingestellten Drehzahl vorwärts.
- b) Um das Gerät mit maximaler Drehzahl vorwärts zu bewegen, drücken Sie den Rückwärtshebel (B) während der Vorwärtsbewegung.
- c) Um das Gerät rückwärts zu bewegen, drücken Sie den Rückwärtshebel (B).



**WARNUNG:** Die Rückwärtsbewegung des Geräts erfolgt immer mit maximaler Drehzahl.

3. Drehen Sie den Drehzahlregler, um die eingestellte Vorwärtsdrehzahl während des Betriebs zu regeln.

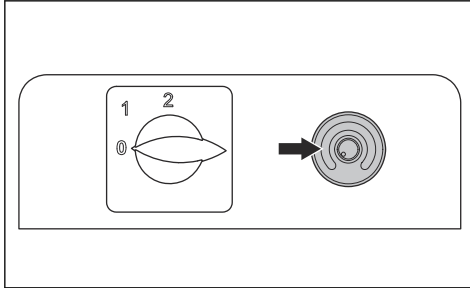


4. Um die Klinge in der Nähe einer Wand zu positionieren, stellen Sie den verstellbaren Griff ein. Siehe *So stellen Sie den verstellbaren Griff ein* auf Seite 38.

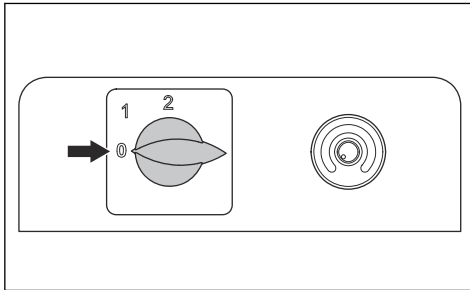


## So stoppen Sie das Gerät

1. Drehen Sie die Drehzahlregelung gegen den Uhrzeigersinn auf die niedrigste Drehzahl.



2. Lassen Sie die Antriebshebel los.
3. Drehen Sie die Start-/Stopp- und Funktionswahlschalter in die Stellung „0“.



4. Stoppen Sie den Staubabsauger.
5. Trennen Sie das Netzteil.

## So entfernen Sie eine weiche Bodenoberfläche



**WARNUNG:** Tragen Sie stets Schutzhandschuhe. Die Klingen sind sehr scharf.

**Hinweis:** Kurze Klingen schneiden Böden leichter als lange Klingen. Lange Klingen sind nicht immer besser oder schneller. Eine kurze Klinge reinigt den Boden in der Regel besser als eine breite Klinge.

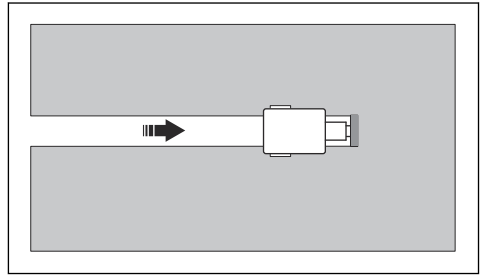
**Hinweis:** Die Klingen sind länger scharf, wenn der Arbeitsbereich von unerwünschtem Material gereinigt ist.

1. Tragen Sie eine persönliche Schutzausrüstung. Siehe *Persönliche Schutzausrüstung auf Seite 35*.
2. Montieren Sie eine selbststritzende Klinge. Siehe *So wählen Sie die richtige Klingenabmessung und Installationsposition aus auf Seite 38* und *So tauschen Sie die Klinge aus auf Seite 46*.



**WARNUNG:** Tragen Sie stets Schutzhandschuhe. Die Klingen sind sehr scharf.

3. Vergewissern Sie sich, dass die Klinge scharf geschliffen ist. Schärfen Sie bei Bedarf die Klinge. Siehe *So schärfen Sie die Klinge auf Seite 46*.
4. Schneiden Sie einen linearen Graben in den Boden.

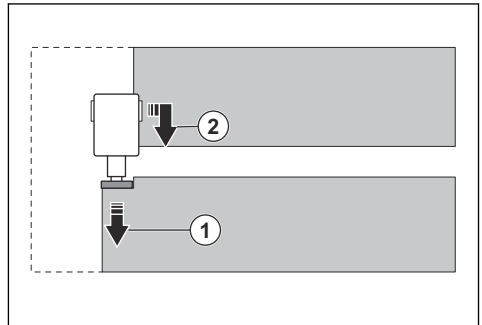


5. Montieren Sie eine flache Klinge.



**WARNUNG:** Tragen Sie stets Schutzhandschuhe. Die Klingen sind sehr scharf.

6. Beginnen Sie am Graben und entfernen Sie den Boden.



## So entfernen Sie eine harte Bodenoberfläche



**WARNUNG:** Tragen Sie stets Schutzhandschuhe. Die Klingen sind sehr scharf.

**Hinweis:** Kurze Klingen schneiden Böden leichter als lange Klingen. Lange Klingen sind nicht immer besser oder schneller. Eine kurze Klinge reinigt den Boden in der Regel besser als eine breite Klinge.

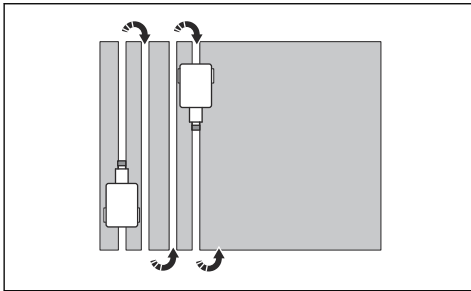
**Hinweis:** Die Klingen sind länger scharf, wenn der Arbeitsbereich von unerwünschtem Material gereinigt ist.

1. Tragen Sie eine persönliche Schutzausrüstung. Siehe *Persönliche Schutzausrüstung auf Seite 35*.
2. Installieren Sie eine kurze Klinge des richtigen Typs. Siehe *So wählen Sie die richtige Klingeabmessung und Installationsposition aus auf Seite 38* und *So tauschen Sie die Klinge aus auf Seite 46*.



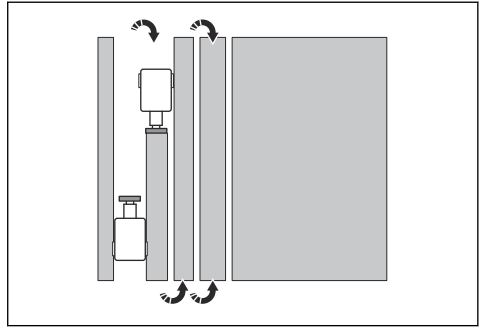
**WARNUNG:** Tragen Sie stets Schutzhandschuhe. Die Klingen sind sehr scharf.

3. Vergewissern Sie sich, dass die Klinge scharf geschliffen ist. Schärfen Sie bei Bedarf die Klinge. Siehe *So schärfen Sie die Klinge auf Seite 46*.
4. Schneiden Sie lineare Gräben in den Boden. Stellen Sie sicher, dass der Abstand zwischen den Gräben der Breite der langen Klinge entspricht.

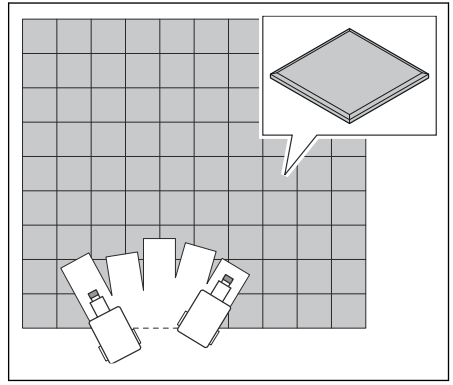


5. Installieren Sie eine lange Klinge des richtigen Typs. Siehe *So wählen Sie die richtige Klingeabmessung und Installationsposition aus auf Seite 38* und *So tauschen Sie die Klinge aus auf Seite 46*.
6. Vergewissern Sie sich, dass die Klinge scharf geschliffen ist. Schärfen Sie bei Bedarf die Klinge. Siehe *So schärfen Sie die Klinge auf Seite 46*.

7. Entfernen Sie den Boden zwischen den Gräben.



**Hinweis:** Verwenden Sie einen Meißel, und bewegen Sie das Gerät in einem fächerförmigen Muster, um Fliesen und Böden aus Holz zu entfernen.



## Klingenanwendungen

Bodentyp	Klingenanwendung
VCT – Fliese (Vinyl Composition Tile)	Verwenden Sie keine Klinge, die breiter ist als die Abmessung der zu entfernenden Fliese. Wenn sich die Fliesen nicht sauber lösen oder die Maschine auf den Fliesen springt, montieren Sie eine kleinere Klinge, bis Sie die richtige Klingengröße gefunden haben, oder verwenden Sie einen kleineren Teil der Klinge.
Vinyl-, Gummi-, PVC-, direkt geklebter Teppich	Der Teppich muss zur korrekten Entfernung mit einer selbstritzenden 152-mm-Klinge eingeritzt werden. Ein vorgeritzter oder vorgeschchnittener Teppich erleichtert die Steuerung der Maschine, und die Klingen bleiben länger scharf. Normalerweise werden 254-mm-Klingen für direkt geklebte Teppiche, Zweitrücken, Einzelrücken, doppelt geklebte Teppiche, Vinylschaumstoff und Urethanschaumstoff verwendet. Latex-Schaumstoffe lassen sich mit einer 305-mm-Klinge leicht entfernen.

Bodentyp	Klingenanwendung
Keramik (verklebt mit Double Duty oder Mörtelbett)	Die Keramikfliesen müssen mit einem kleinen oder großen Hammer vorgebrochen werden, bevor sie mit dem Bodenabzieher entfernt werden können. Zerschlagen Sie mit einem großen Hammer genügend Fliesen, um Platz für die Maschine oder die Klinge zu schaffen, oder beginnen Sie von der Tür aus. Arbeiten Sie mit niedriger Drehzahl und kleinen Klingen oder Meißeln. Halten Sie den Arbeitsbereich sauber, damit die Räder guten Kontakt mit dem Boden haben.
Böden aus Holz und holzähnlichen Materialien	Sägen Sie das Holz mit einer Kreissäge vor. Versenken oder entfernen Sie Nägel oder metallische Gegenstände, um Schäden an den Klingen zu vermeiden.
Verklebte Hartholzböden	Für ein korrektes Entfernen von Hartholzböden (feste Bohle, Laminat, Parkett, laminiertes Parkett) muss der Boden vorgesägt werden. Dazu verwenden Sie eine Kreissäge mit einer Tiefeneinstellung von 99 % in Bezug zur Stärke der Bretter, ohne dass Sie dabei den Unterboden berühren. Zeichnen Sie Linien mit Kreide über den Boden, und sägen Sie sie auf die Klingenbreite vor. (immer 152 mm).  Echter Parkettboden muss nicht eingeritzt werden. Er lässt sich in kleinen Stücken lösen. Wenn Sie über Sperrholzunterböden arbeiten, versuchen Sie, die Maschine in Richtung der Holzmaserung zu bewegen. In den meisten Fällen sind die Klingen nach unten abgechrägt. Bewegen Sie sie auf Massivholzböden, wie z. B. Bohlen, in die gleiche Richtung wie die Bohlen und nicht gegen die Maserung oder quer. Das Entfernen der vorderen Gegengewichte ist vorteilhaft für alle weichen Oberflächen.
Beton	Bei Arbeiten auf Betonplatten ist die normale Klingenposition nach oben angewinkelt, um das beste Ergebnis zu erzielen, insbesondere beim Entfernen von Klebstoff. Gelegentlich sorgt eine nach unten angewinkelte Klinge für eine längere Lebensdauer der Klinge.

## Wartung

### Einleitung



**WARNUNG:** Bevor Sie eine Wartung durchführen, müssen Sie das Kapitel über die Sicherheit lesen und verstehen.

Für alle Wartungs- und Reparaturarbeiten am Produkt ist eine spezielle Schulung erforderlich. Wir garantieren die Verfügbarkeit von professionellen Reparaturen und Wartungsarbeiten. Wenn Ihr Händler keine Servicewerkstatt ist, sprechen Sie mit ihm, um Informationen über die nächste Servicewerkstatt zu erhalten.

### Wartungsplan

\* = Allgemeine Wartung durch den Bediener. Diese Anweisungen sind nicht in dieser Bedienungsanleitung enthalten.

X = Diese Anweisungen sind in dieser Bedienungsanleitung enthalten.

O = Diese Anweisungen sind nicht in dieser Bedienungsanleitung enthalten. Lassen Sie die Wartung von einer zugelassenen Servicewerkstatt durchführen.

Wartung	Täglich	Wö- chent- lich	Alle 12 Mo- nate
Eine Überprüfung aller Sicherheitsvorrichtungen am Gerät durchführen.	*		
Verschleiß und Schärfe der Klinge prüfen.	X		
Sicherstellen, dass alle elektrischen Verbinder sauber sind.	X		
Sicherstellen, dass die Motoren sauber sind.	*		

Wartung	Taglich	Wochentlich	Alle 12 Monate
Die Auenflachen des Gerats reinigen.	X		
Allgemeine Inspektion durchfuhren.	X		
Die Befestigungspunkte und die Verriegelungsfunktion der Gewichte uberprufen.		*	
Die Schwingungsdampfungseinheiten am Schneidkopf uberprufen.		X	
Die inneren Bauteile des Gerats reinigen.			O

### So fuhren Sie eine allgemeine Inspektion durch

- Stellen Sie sicher, dass die Muttern und Schrauben am Produkt nicht beschadigt sind.
- Stellen Sie sicher, dass die Kabel des Gerats nicht so liegen, dass diese beschadigt werden konnen.
- Untersuchen Sie die elektrischen Teile auf Beschadigungen. Nehmen Sie ein Gerat, dessen elektrische Teile beschadigt sind, nicht in Betrieb.

### So reinigen Sie das Gerat



**WARNUNG:** Reinigen Sie das Gerat taglich, um die Zirkulation von gesundheitsgefahrendem Staub zu verhindern.

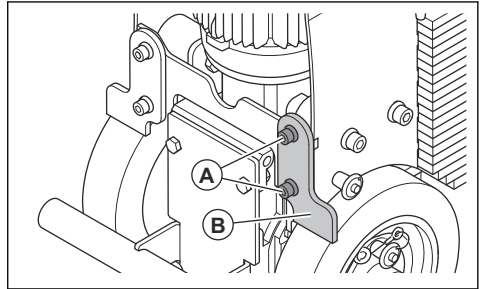
- Reinigen Sie das Gerat an einem geeigneten Ort.
- Tragen Sie zugelassene Schutzhandschuhe bei der Reinigung des Gerats.
- Reinigen Sie die auere Oberflache mit einem feuchten Tuch.
- Verwenden Sie fur die elektrischen Komponenten kein Wasser.
- Reinigen Sie das Gerat nicht mit einem Hochdruckreiniger oder mit Druckluft.

### Reinigen und Einstellen der Radschaberplatten

Reinigen Sie ggf. die Radschaberplatten.

1. Trennen Sie das Netzteil.

2. Losen Sie die 2 Schrauben (A).



3. Stellen Sie die Radschaberplatte (B) ein.



**ACHTUNG:** Die Radschaberplatte muss die Rader beruhren, darf aber nicht stark gegen das Rad drucken.

4. Ziehen Sie die 2 Schrauben an.
5. Fuhren Sie das gleiche Verfahren an der Radschaberplatte am anderen Rad aus.

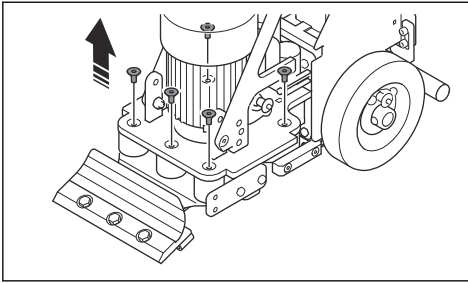
### So tauschen Sie die Schwingungsdampfungseinheiten BS 75 aus



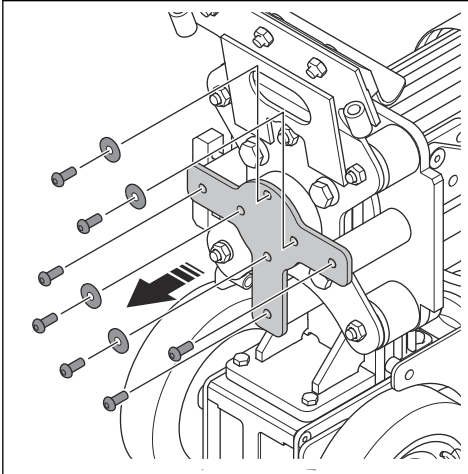
**WARNUNG:** Tragen Sie stets Schutzhandschuhe. Die Klingen sind sehr scharf.

1. Entfernen Sie die Klinge, oder bringen Sie einen Klingenschutz an. Siehe *So tauschen Sie die Klinge aus auf Seite 46*.
2. Entfernen Sie die Gewichte. Siehe *So demontieren und montieren Sie das Gerat BS 75 auf Seite 51*.

3. Entfernen Sie die 5 Schrauben.

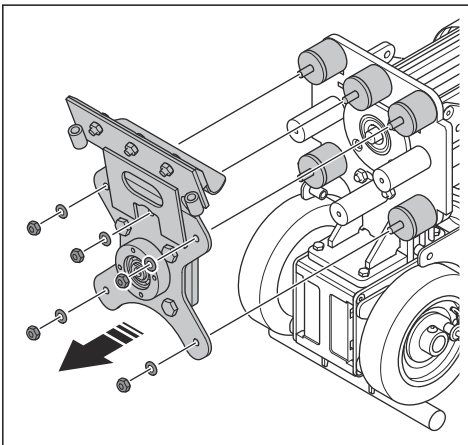


4. Entfernen Sie die 7 Schrauben.



5. Entfernen Sie die mittlere Schraube, um die Lagernabe zu lösen.

6. Entfernen Sie die 5 Muttern.



7. Entfernen Sie die Schwingungsdämpfungsplatte und die 5 Schwingungsdämpfungseinheiten.

8. Die Installation erfolgt in umgekehrter Reihenfolge.

## So tauschen Sie die Schwingungsdämpfungseinheiten BS 110 aus

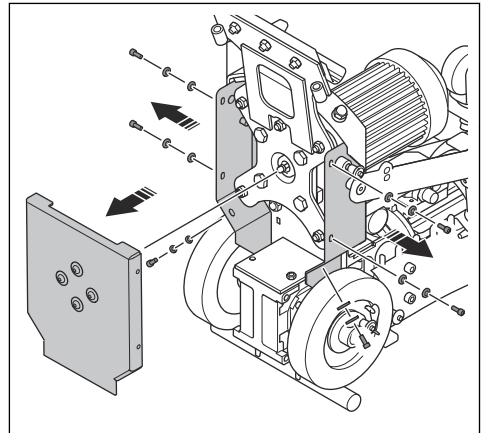
1. Entfernen Sie die Klinge. Siehe *So tauschen Sie die Klinge aus* auf Seite 46.



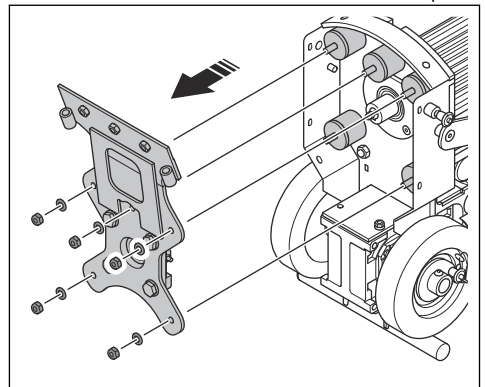
**WARNUNG:** Tragen Sie stets Schutzhandschuhe. Die Klingen sind sehr scharf.

2. Entfernen Sie die Gewichte. Siehe *So entfernen und montieren Sie die Gewichte BS 110* auf Seite 39.

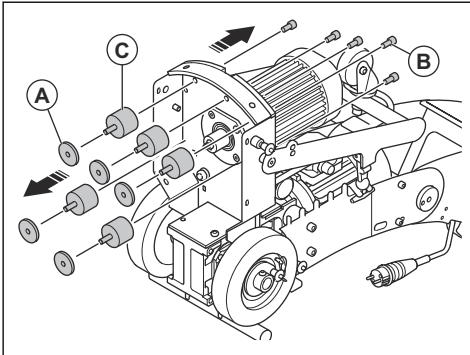
3. Entfernen Sie die 6 Schrauben und die untere Abdeckung.



4. Entfernen Sie die 5 Muttern und den Schneidkopf.



- Entfernen Sie die 5 Unterlegscheiben (A).



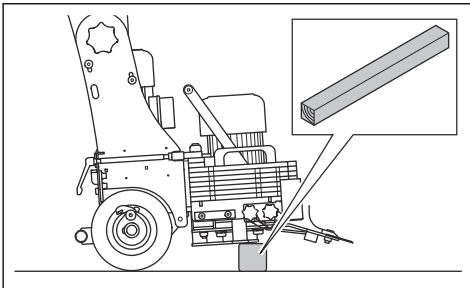
- Entfernen Sie die 5 Schrauben (B) und die 5 Vibrationsdämpfungseinheiten (C).
- Die Installation erfolgt in umgekehrter Reihenfolge.

### So tauschen Sie die Klinge aus

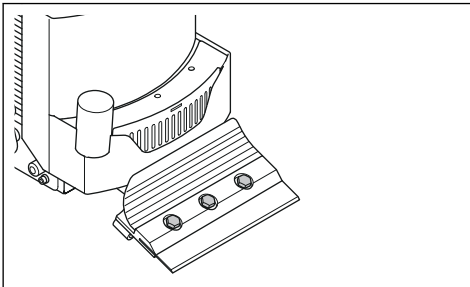


**WARNUNG:** Tragen Sie stets Schutzhandschuhe. Die Klingen sind sehr scharf.

- Heben Sie die Vorderseite des Geräts an, und stellen Sie eine Stütze unter das Gerät. Stellen Sie sicher, dass die Klinge vom Boden gehoben wird.



- Lösen Sie die 3 Schrauben am Werkzeughalter.



- Entfernen Sie die Klinge.
- Schieben Sie die neue Klinge in den Werkzeughalter.

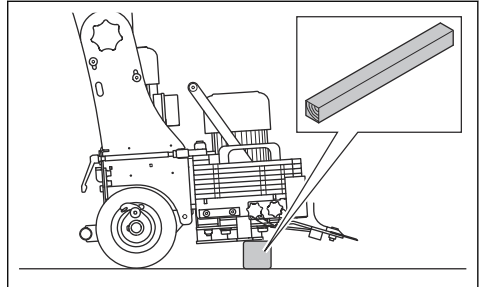
- Stellen Sie sicher, dass die Klinge sich in der richtigen Position befindet.
- Ziehen Sie die 3 Schrauben am Werkzeughalter an.

### So schärfen Sie die Klinge



**WARNUNG:** Tragen Sie stets Schutzhandschuhe. Die Klingen sind sehr scharf.

- Heben Sie die Vorderseite des Geräts an, und stellen Sie eine Stütze unter das Gerät. Stellen Sie sicher, dass die Klinge vom Boden gehoben wird.

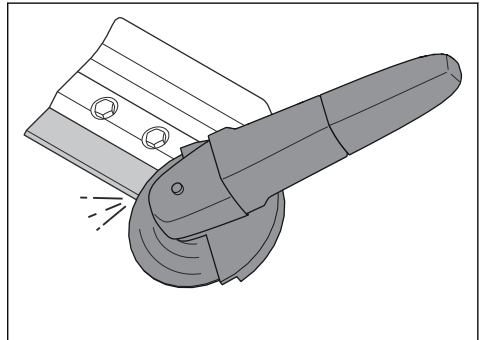


- Schärfen Sie die Klinge mit einem Winkelschleifer. Verwenden Sie eine Schleifscheibe mit einer Körnung von 120.

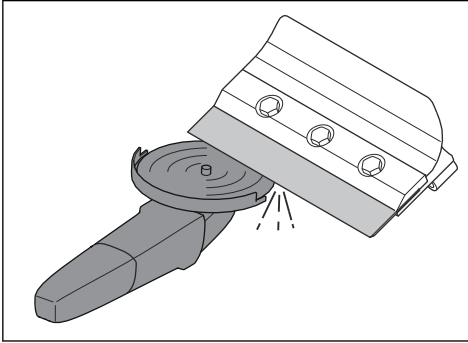


**WARNUNG:** Achten Sie darauf, dass die Schleifscheibe sich nicht an der Kante oder Ecke der Klinge verfängt.

- Schleifen Sie die Oberkante der Klinge, um eine Abschrägung oben zu erhalten.

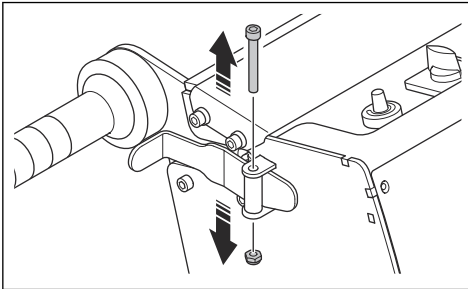


- b) Schleifen Sie die Unterkante der Klinge, um eine Abschrägung unten zu erhalten.

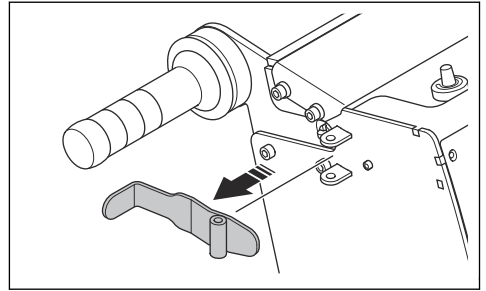


### So stellen Sie den Antriebshebel ein

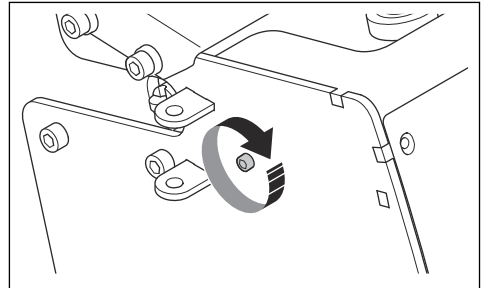
1. Entfernen Sie die Mutter und die Schraube.



2. Entfernen Sie den Antriebshebel.



3. Drehen Sie die Einstellschraube in die richtige Position.



4. Montieren Sie den Antriebshebel, die Schraube und die Mutter.

## Fehlersuche

Problem	Ursache	Lösung
Das Gerät springt nicht an.	Das Verlängerungskabel ist nicht angeschlossen oder beschädigt.	Das Verlängerungskabel anschließen oder ersetzen, falls erforderlich.
	Überprüfen Sie den Frequenzumrichter auf Fehlercodes.	Stellen Sie sicher, dass das Kabel ersetzt wird, wenn es beschädigt ist.
	Die Not-Aus-Taste ist aktiviert.	Siehe <i>Fehlercodes auf Seite 48</i> .
Das Gerät ist nicht leicht zu halten.	Die Schwingungsdämpfereinheiten sind verschlissen oder beschädigt.	Drehen Sie die Not-Aus-Taste auf der Bedientafel gegen den Uhrzeigersinn, um sie zu deaktivieren.
	Das untere Motorlager ist defekt.	Tauschen Sie die Antivibrationseinheiten aus.
	Die Klinge ist stumpf oder nicht korrekt montiert.	Wenden Sie sich an eine autorisierte Husqvarna Servicewerkstatt.
		Prüfen Sie die Klinge und schärfen oder ersetzen Sie sie gegebenenfalls.

Problem	Ursache	Lösung
Das Gerät lässt sich nur schwer bewegen.	Die Radschaberplatten sind blockiert oder beschädigt.	Reinigen und überprüfen Sie die Radschaberplatten. Ersetzen Sie die beschädigten Teile.
	Die Räder sind blockiert oder beschädigt.	Reinigen und überprüfen Sie die Räder. Ersetzen Sie die beschädigten Teile.
Der Frequenzumrichter hält an.	Die Last ist zu hoch oder die Stromversorgung ist unzureichend.	Das Netzteil überprüfen.
Der Vibrationsmotor funktioniert nicht ordnungsgemäß.	Das untere Motorlager ist defekt.	Wenden Sie sich an eine autorisierte Husqvarna Servicewerkstatt.

## Fehlercodes

Fehlercode	Name	Ursache	Aktion
uSF	Niedrige Spannung.	Die Versorgungsnetzspannung ist zu niedrig.	Prüfen Sie die Versorgungsspannung.
□SF	Hochspannung.	Die Versorgungsnetzspannung ist zu hoch.	Halten Sie das Gerät an, bis die Versorgungsspannung korrekt ist.
			Prüfen Sie die Versorgungsspannung.
OLF	Motorüberlastung.	Zu hoher Strom im Motor.	Die Arbeitslast reduzieren.
nSt	Anweisung Freilaufstopp.	Der Fahrgriff wird während des Startvorgangs an der Mensch-Maschine-Schnittstelle eingeschoben.	Lassen Sie die Fahrgriffe während des Starts los.
□PF2	3 Motorphasenverlust.	Der Motor ist getrennt oder die Motorleistung ist zu niedrig.	Vergewissern Sie sich, dass der Motor verbunden ist.
SCF1	Motorkurzschluss.	Kurzschluss in den Motorkabeln.	Überprüfen Sie die Anschlüsse der Stromversorgung des Hauptkreises.
SCF3	Motorkurzschluss.	Kurzschluss in den Motorkabeln.	Prüfen Sie die Motoranschlüsse und die Isolierung des Motors.
SCF5	Motorkurzschluss.	Kurzschluss in den Motorkabeln.	Prüfen Sie die Motoranschlüsse und die Isolierung des Motors.
tJF	Der Wechselrichter ist zu heiß.	Die Umgebungstemperatur ist zu hoch.	Überprüfen Sie das Kühlgebläse.
		Die Arbeitslast ist zu hoch.	Die Arbeitslast reduzieren.



Fehlercode	Name	Ursache	Aktion
□HF	Der Motor ist zu heiß.	Die Umgebungstemperatur ist zu hoch.	Überprüfen Sie das Kühlgebläse.
		Die Arbeitslast ist zu hoch.	Die Arbeitslast reduzieren.

## Transport, Lagerung und Entsorgung

### Transport



**WARNUNG:** Seien Sie beim Transport vorsichtig. Das Gerät ist schwer und kann Verletzungen oder Schäden verursachen, wenn es beim Transport umfällt oder sich bewegt.



**WARNUNG:** Entfernen Sie das Werkzeug, oder bringen Sie den Klingenschutz vor dem Transport des Geräts an. Tragen Sie stets Schutzhandschuhe. Die Klinsen sind sehr scharf.

Bei kürzeren Strecken können Sie das Gerät mit den Rädern manuell bewegen. Siehe *So transportieren Sie das Gerät auf Rädern BS 75 auf Seite 49* und *So transportieren Sie das Gerät auf Rädern BS 110 auf Seite 49*.

Bei längeren Strecken heben Sie das Gerät an, um es zu bewegen, oder platzieren Sie es auf einem Fahrzeug. Siehe *So heben Sie das Gerät an auf Seite 51* und *So befestigen Sie das Gerät auf einem Transportfahrzeug auf Seite 51*.

- Seien Sie sehr vorsichtig, wenn Sie das Gerät manuell oder auf geneigten Oberflächen bewegen. Kleine Steigungen können zu einer starken Bewegung führen, die nicht von Hand gebremst werden kann.
- Schützen Sie das Gerät während des Transports. Durch diesen Schutz werden Naturelemente wie Regen und Schnee vom Gerät ferngehalten.

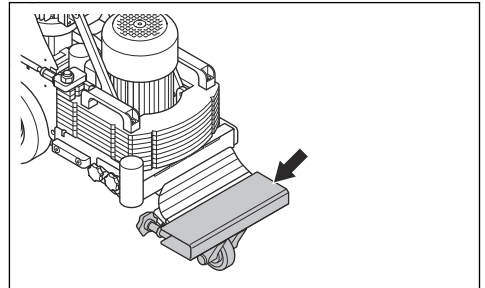
### So transportieren Sie das Gerät auf Rädern BS 75



**WARNUNG:** Tragen Sie stets Schutzhandschuhe. Die Klinsen sind sehr scharf.

1. Trennen Sie das Netzteil.

2. Befestigen Sie den Klingenschutz.



3. Deaktivieren Sie die Antriebsräder. Siehe *So aktivieren und deaktivieren Sie die Antriebsräder auf Seite 50*.
4. Schieben Sie das Gerät langsam.

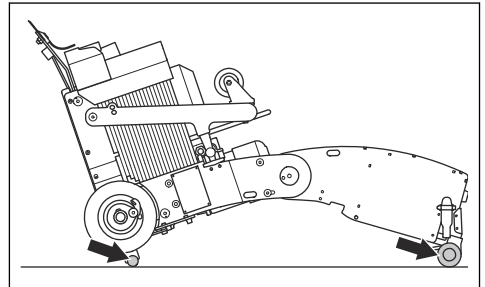
### So transportieren Sie das Gerät auf Rädern BS 110

1. Trennen Sie das Netzteil.
2. Stellen Sie sicher, dass das Werkzeug aus dem Werkzeughalter entfernt wird.

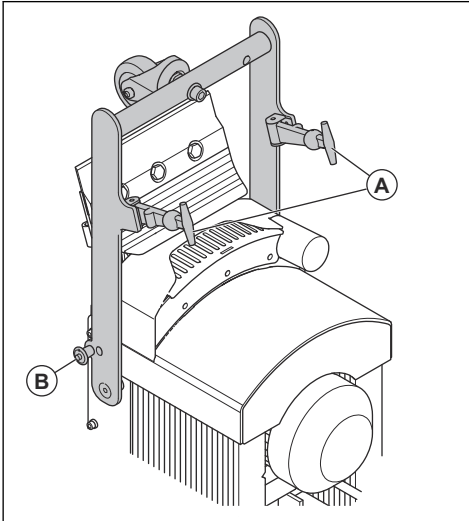


**WARNUNG:** Tragen Sie stets Schutzhandschuhe. Die Klinsen sind sehr scharf.

3. Kippen Sie das Gerät, bis sich die Fußstütze und der Handgriff auf dem Boden befinden.



- Lösen Sie die 2 Gummiklemmen (A), und schieben Sie das Transportrad nach vorn.

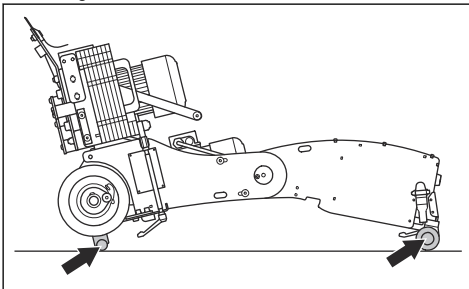


- Montieren Sie die Sperrstifte (B) für das Transportrad auf der rechten und linken Seite.
- Deaktivieren Sie die Antriebsräder. Siehe *So aktivieren und deaktivieren Sie die Antriebsräder auf Seite 50*.
- Heben Sie das Gerät am Handgriff an, bis sich alle 3 Räder auf dem Boden befinden.
- Schieben Sie das Gerät langsam.

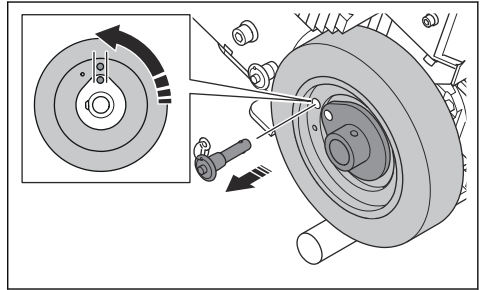
## So aktivieren und deaktivieren Sie die Antriebsräder

Die Antriebsräder werden aktiviert, wenn sich der Sperrstift in der inneren Bohrung befindet, und deaktiviert, wenn sich der Sperrstift in der äußeren Bohrung befindet.

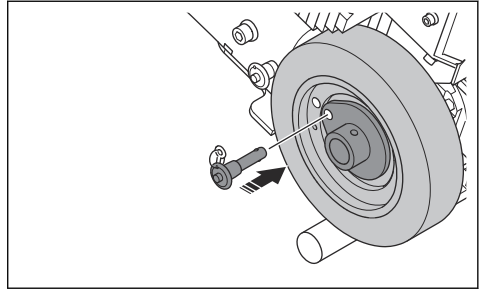
- Kippen Sie das Gerät, bis sich die Fußstütze und der Handgriff auf dem Boden befinden.



- Drehen Sie die Räder, bis die beiden Bohrungen ausgerichtet sind, und ziehen Sie den Sperrstift heraus.



- Stecken Sie den Sperrstift in die innere Bohrung, um die Antriebsräder zu aktivieren.



- Um die Antriebsräder zu deaktivieren, stecken Sie den Sperrstift in die äußere Bohrung.

## So bewegen Sie das Gerät eine Rampe hoch bzw. herunter



**WARNUNG:** Seien Sie besonders vorsichtig, wenn Sie das Gerät eine Rampe hoch- bzw. herunterbewegen und der Motor eingeschaltet ist. Das Gerät ist schwer und kann Verletzungen verursachen, wenn es umfällt oder zu schnell bewegt wird.



**WARNUNG:** Verwenden Sie bei Rampen mit steilem Gefälle immer eine Winde. Stehen Sie nicht unterhalb oder in der Nähe des Geräts.



**WARNUNG:** Bewegen Sie das Gerät nicht an steilen Hängen. Informationen zum maximalen Neigungswinkel finden Sie auf dem Typenschild des Geräts.

- Um das Gerät eine Rampe herunter zu bewegen, bedienen Sie es langsam rückwärts.
- Um das Gerät eine Rampe herauf zu bewegen, bedienen Sie es langsam vorwärts.

- Drehen Sie das Gerät auf einer Rampe nicht mehr als 45°.

## So heben Sie das Gerät an



**WARNUNG:** Stellen Sie sicher, dass die Hebevorrichtung den korrekten Spezifikationen entspricht, um das Gerät sicher anheben zu können. Das Typenschild des Geräts zeigt das Gerätegewicht.



**WARNUNG:** Laufen bzw. stehen Sie nicht unterhalb oder in der Nähe eines hängenden Geräts. Halten Sie unbefugte Personen vom Risikobereich fern.

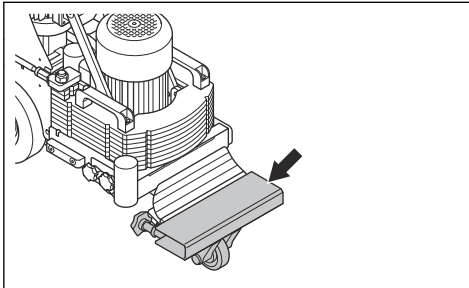


**WARNUNG:** Heben Sie ein Gerät nicht an, wenn es beschädigt ist. Stellen Sie sicher, dass der Hebepunkt richtig montiert und nicht beschädigt ist.



**WARNUNG:** Heben Sie das Gerät nicht am Lenker, Motor oder Chassis an.

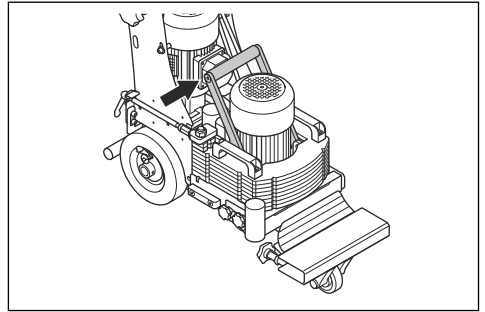
1. Entfernen Sie das Werkzeug, oder bringen Sie die Klingenschutzabdeckung an.



**WARNUNG:** Tragen Sie stets Schutzhandschuhe. Die Klingen sind sehr scharf.

2. Stellen Sie sicher, dass die Antriebsräder aktiviert sind. Siehe *So aktivieren und deaktivieren Sie die Antriebsräder auf Seite 50.*

3. Befestigen Sie die Hebeausrüstung am Hebepunkt.



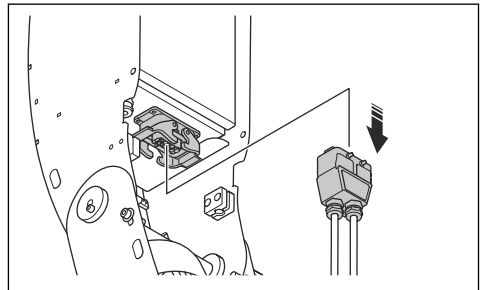
4. Heben Sie das Gerät langsam an.

## So befestigen Sie das Gerät auf einem Transportfahrzeug

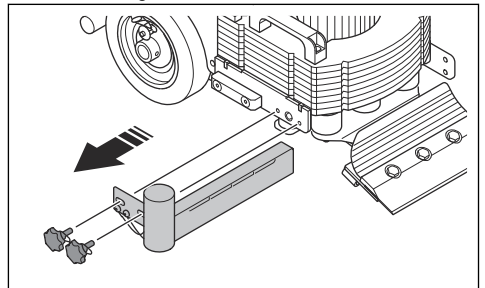
1. Stellen Sie sicher, dass die Antriebsräder aktiviert sind. Siehe *So aktivieren und deaktivieren Sie die Antriebsräder auf Seite 50.*
2. Befestigen Sie die Zurrgurte am Hebepunkt.
3. Befestigen Sie die Zurrgurte am Transportfahrzeug und ziehen Sie sie fest.
4. Sorgen Sie dafür, dass sich das Gerät nicht bewegen kann.

## So demontieren und montieren Sie das Gerät BS 75

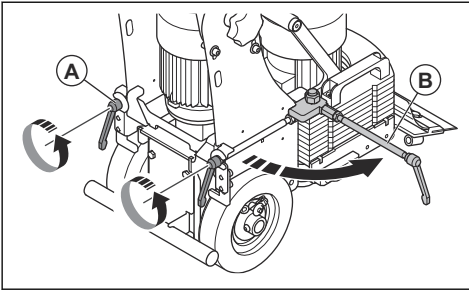
1. Trennen Sie das Netzteil.



2. Entfernen Sie die Einheit mit dem Anschluss an den Staubabsauger.

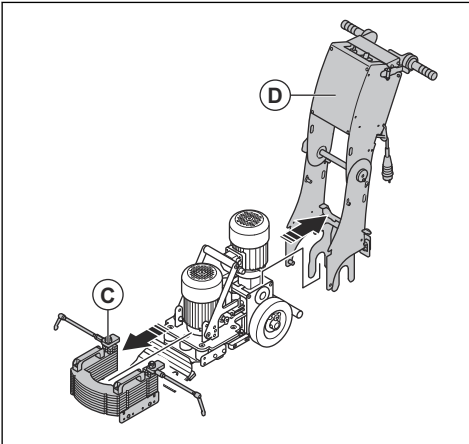


3. Lösen Sie die 2 Drehknöpfe (A).



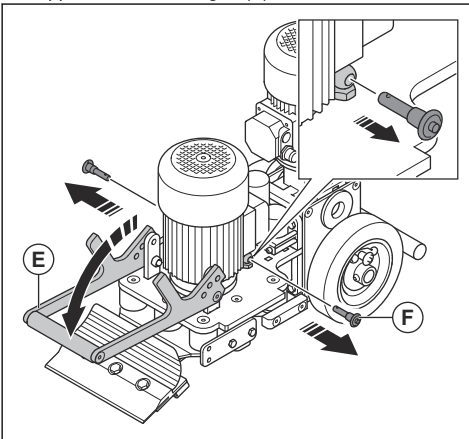
4. Drehen Sie die 2 Hebel nach vorn (B).

5. Bewegen Sie das Gewicht (C) nach vorn.



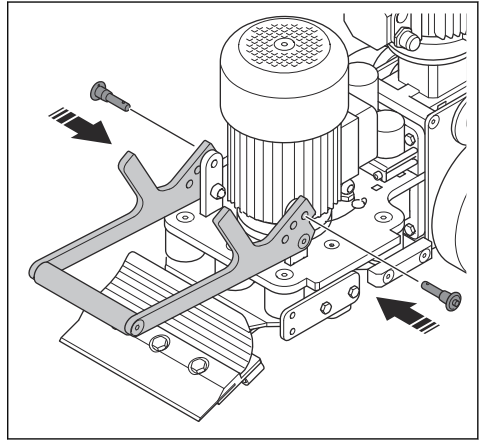
6. Heben Sie die Handgriffeinheit (D) an.

7. Kippen Sie den Hebelgriff (E) nach vorn.



8. Entfernen Sie die 2 Sperrstifte (F).

9. Verriegeln Sie den Hebelgriff in der vorderen Position mit den Sperrstiften.



10. Die Montage erfolgt in umgekehrter Reihenfolge.

## Lagerung des Geräts

- Das Gerät darf nur in Innenräumen gelagert werden.
- Bewahren Sie das Gerät in einem verschlossenen Bereich auf, um einen unerlaubten Zugriff durch Kinder oder andere Personen zu verhindern.
- Bewahren Sie das Gerät in an einem trockenen und frostfreien Bereich auf.

## So entsorgen Sie das Gerät

- Befolgen Sie die örtlichen Recyclinganforderungen und geltenden Vorschriften.
- Wenn Sie das Gerät nicht mehr benutzen, senden Sie es an einen Husqvarna-Händler oder entsorgen Sie es bei einer Recyclingstelle.

## Technische Daten

	<b>BS 75</b>	<b>BS 110</b>
Antriebsmotorleistung, kW	0,75	0,75
Vibrationsmotorleistung, kW	0,75	0,75
Vorwärtsgeschwindigkeit, m/min	2,5–18,5	2,5–18,5
Rückfahrgeschwindigkeit, m/min	2,5–18,5	2,5–18,5
Nennspannung, V	200–240	200–240
Frequenz, Hz	50-60	50-60
Gewicht, kg	129	170
Zusatzgewicht, kg	10	–
Betriebstemperatur, °C	-10-40	-10-40
Max. relative Luftfeuchtigkeit, %	95	95
Schalleistungspegel, $L_{WA}$ gemessen, dB(A) <sup>4</sup>	70	75
Vibrationspegel $a_{\text{H}}$ , $\text{m/s}^{25}$	4,0	4,6

### Konformitätserklärung für Geräusche und Vibrationen

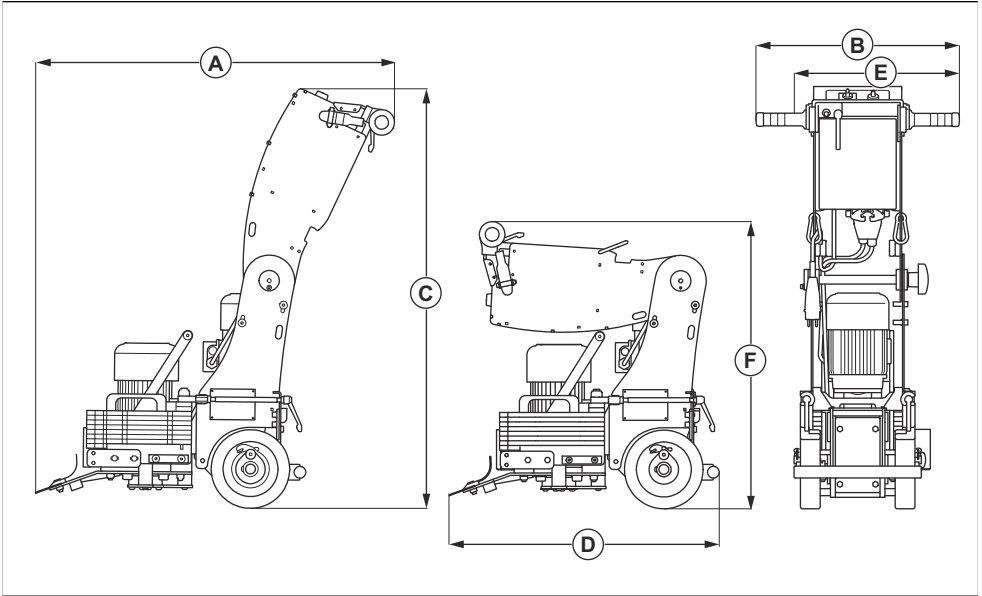
Diese erklärten Werte wurden in Laborversuchen in Übereinstimmung mit der aufgeführten Richtlinie oder Norm ermittelt und eignen sich für einen Vergleich mit Wertdeklarationen anderer Produkte, die nach der gleichen Richtlinie bzw. Norm geprüft wurden. Diese Wertdeklarationen eignen sich nicht

zur Verwendung in Risikobewertungen, zudem können die an einzelnen Arbeitsplätzen gemessenen Werte höher sein. Die tatsächlichen Belastungswerte und das Gefährdungsrisiko eines individuellen Benutzers sind immer spezifisch und davon abhängig, wie der Benutzer arbeitet, in welchem Material das Produkt eingesetzt wird, sowie von der Belastungszeit, dem Gesundheitszustand des Benutzers und dem Gerätezustand.

<sup>4</sup> Umweltbelastende Geräuschemissionen, gemessen als Schalleistung ( $L_{WA}$ ) gemäß EN ISO 11202:2010 und EN ISO 3437:2010. Unsicherheit KWA 2,5dB.

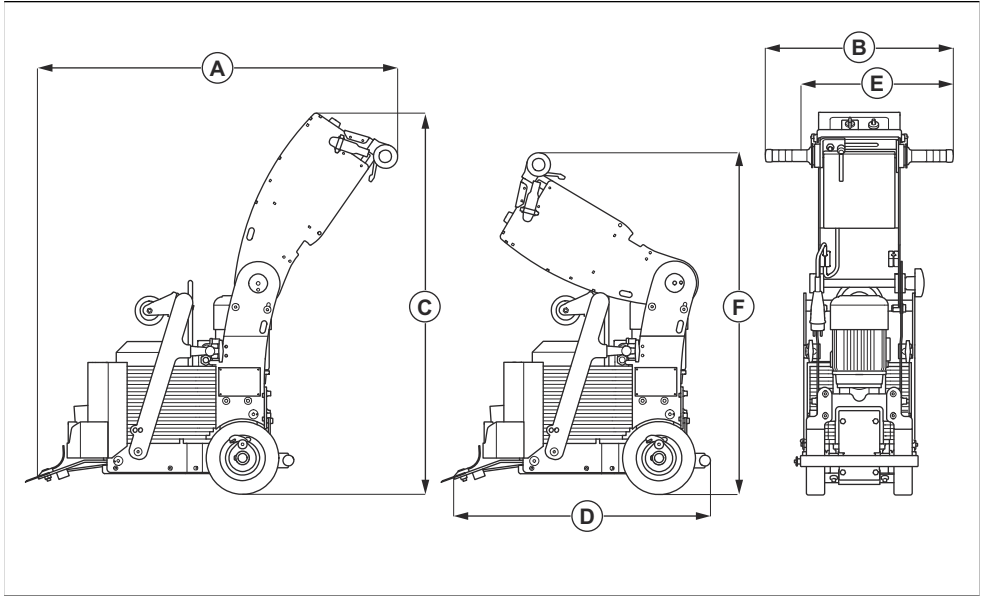
<sup>5</sup> Vibrationspegel gemäß EN ISO 20643:2008. Berichten zufolge liegt der Vibrationspegel normalerweise bei einer Ausbreitungsklasse (Standardabweichung) von  $1 \text{ m/s}^2$ .

## Geräteabmessungen BS 75



<b>A</b>	Länge, mm	872
<b>B</b>	Max. Breite, mm	515
<b>D</b>	Höhe, mm	1069
<b>D</b>	Länge mit eingeklapptem Handgriff, mm/Zoll	654
<b>E</b>	Min. Breite, mm	419
<b>F</b>	Höhe mit eingeklapptem Handgriff, mm	741

## Geräteabmessungen BS 110



<b>A</b>	Länge, mm	956
<b>B</b>	Max. Breite, mm	515
<b>D</b>	Höhe, mm	1069
<b>D</b>	Länge mit eingeklapptem Handgriff, mm/Zoll	738
<b>E</b>	Min. Breite, mm	419
<b>F</b>	Höhe mit eingeklapptem Handgriff, mm	944

## Verlängerungskabel

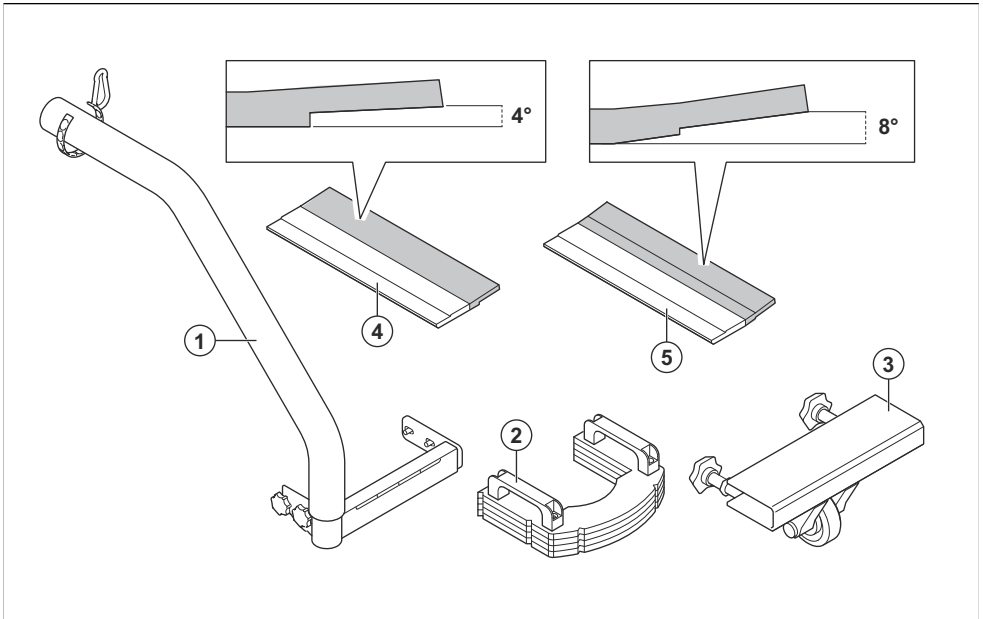
Kabellänge	Querschnitt			
	≤ 16 A	≤ 32 A	≤ 63 A	≤ 125 A
Berechnet bei einer Vorsicherung GG <sup>6</sup> :	16 A	32 A	63 A	125 A
> 20m	1,5 mm <sup>2</sup>	2,5 mm <sup>2</sup>	10 mm <sup>2</sup>	25 mm <sup>2</sup>
20 m > 50 m	2,5 mm <sup>2</sup>	4 mm <sup>2</sup>	10 mm <sup>2</sup>	25 mm <sup>2</sup>

<sup>6</sup> Die Querschnitte müssen neu berechnet werden, wenn andere Vorsicherungen verwendet werden als angegeben.

Kabellänge	Querschnitt			
	≤ 16 A	≤ 32 A	≤ 63 A	≤ 125 A
50m > 75m	4 mm <sup>2</sup>	6 mm <sup>2</sup>	16 mm <sup>2</sup>	35 mm <sup>2</sup>

## Zubehör

### Zubehör BS 75

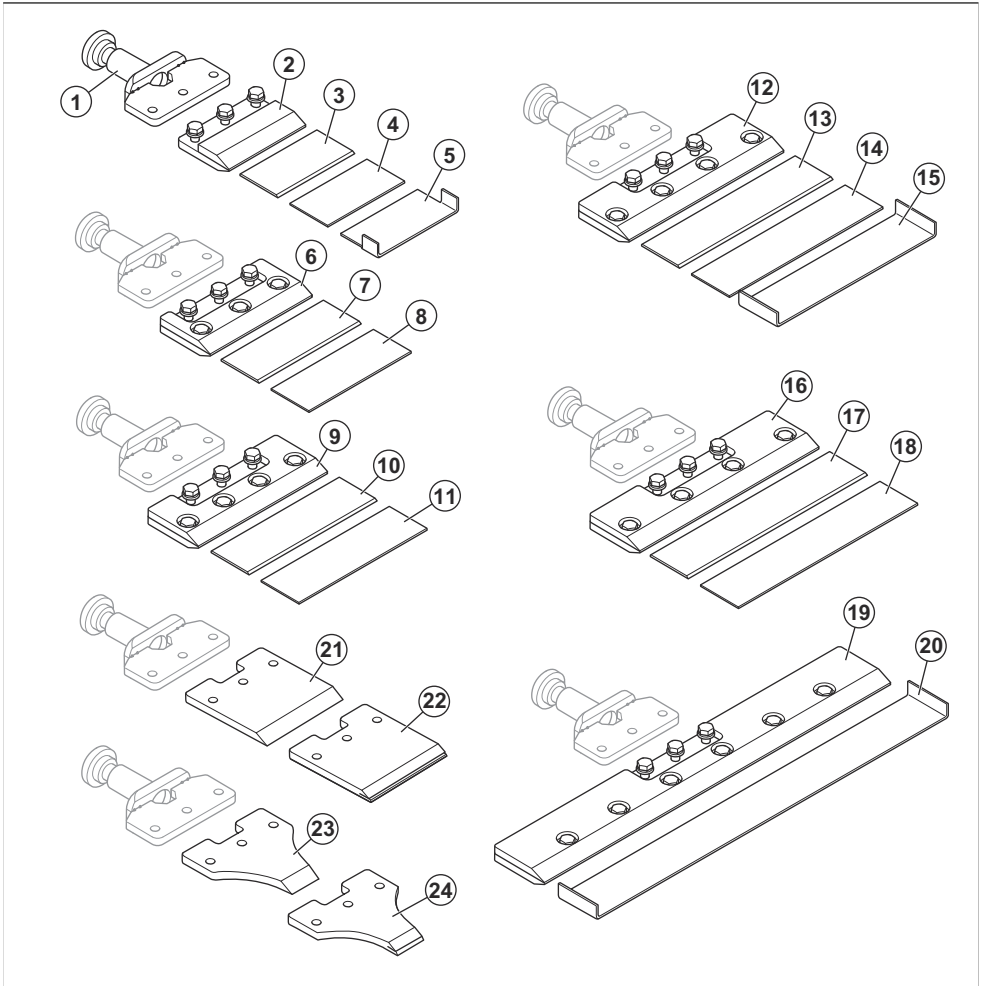


1	Saugschlauch
2	Gewichte
3	Klingenschutz.
4	Winkleinstellungsplatte (4°)
5	Winkleinstellungsplatte (8°)



# Klingen

Nicht alle Klingen sind für alle Geräte geeignet.  
Wenden Sie sich an eine autorisierte Husqvarna  
Servicewerkstatt.



Position	Typ	Abmessungen (mm)
1	Halterung für Meißel oder Klingenhalter	–
2	Klingenhalter	152
3	Hochleistungsklinge	152 x 76 x 2,5
4	Premium-Klinge	152 x 76 x 1,5

<b>Position</b>	<b>Typ</b>	<b>Abmessungen (mm)</b>
5	Selbstritzende Klinge	152 x 76 x 1,5
6	Klingenhalter	203
7	Hochleistungsklinge	203 x 76 x 2,5
8	Premium-Klinge	203 x 76 x 1,5
9	Klingenhalter	254
10	Hochleistungsklinge	254 x 76 x 2,5
11	Premium-Klinge	254 x 76 x 1,5
12	Klingenhalter	305
13	Hochleistungsklinge	305 x 76 x 2,5
14	Premium-Klinge	305 x 76 x 1,5
15	Selbstritzende Klinge	305 x 76 x 1,5
16	Klingenhalter	355
17	Hochleistungsklinge	355 x 76 x 2,5
18	Premium-Klinge	355 x 76 x 1,6
19	Klingenhalter	685
20	Selbstritzende Klinge	686 x 76 x 1,5
21	Premium-Meißel	152x12
22	Hochleistungsmeißel	152x12
23	Premium-Meißel	51x12
24	Hochleistungsmeißel	51x12

---

# Konformitätserklärung

---

## EU-Konformitätserklärung

Die Husqvarna AB, SE-561 82 Huskvarna, Schweden,  
Tel.: +4636-146500, erklärt in alleiniger Verantwortung,  
dass das Gerät:

Beschreibung	Schaber
Marke	Husqvarna
Typ/Modell	BS-75, BS-110
Identifizierung	Seriennummern ab 2022

die folgenden EU-Richtlinien und -Verordnungen erfüllt:

Richtlinie/Verordnung	Beschreibung
2006/42/EG	„Maschinenrichtlinie“
2014/30/EU	„EMV-Richtlinie“

und dass die folgenden Normen und/oder technischen  
Daten angewendet werden;

EN ISO 12100:2010, EN 60204-1:2006

Partille, 2022-01-24



Martin Huber

R&D Director, Concrete Surfaces & Floors

Husqvarna AB, Construction Division

Verantwortlich für die technische Dokumentation



# Sommaire

Introduction.....	60	Transport, entreposage et mise au rebut.....	79
Sécurité.....	63	Caractéristiques techniques.....	83
Utilisation.....	67	Accessoires.....	86
Entretien.....	73	Déclaration de conformité.....	89
Recherche de pannes.....	77		

## Introduction

### Description du produit

Le produit est une décolleuse à pousser destinée à des surfaces de différentes duretés.

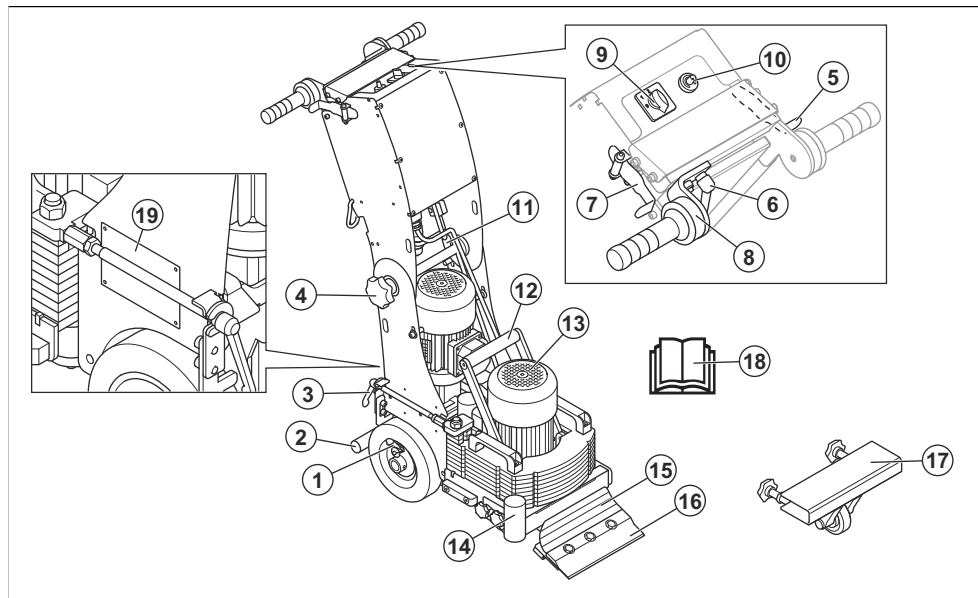
### Utilisation prévue

Le produit est utilisé pour retirer des matériaux de surface de duretés différentes sur des sols en béton

et en bois, ainsi que sur des sous-planchers meubles. Utilisez ce produit pour retirer le bois dur, la céramique, le linoléum, le vinyle, la moquette, l'adhésif et la colle. N'utilisez pas ce produit pour d'autres travaux.

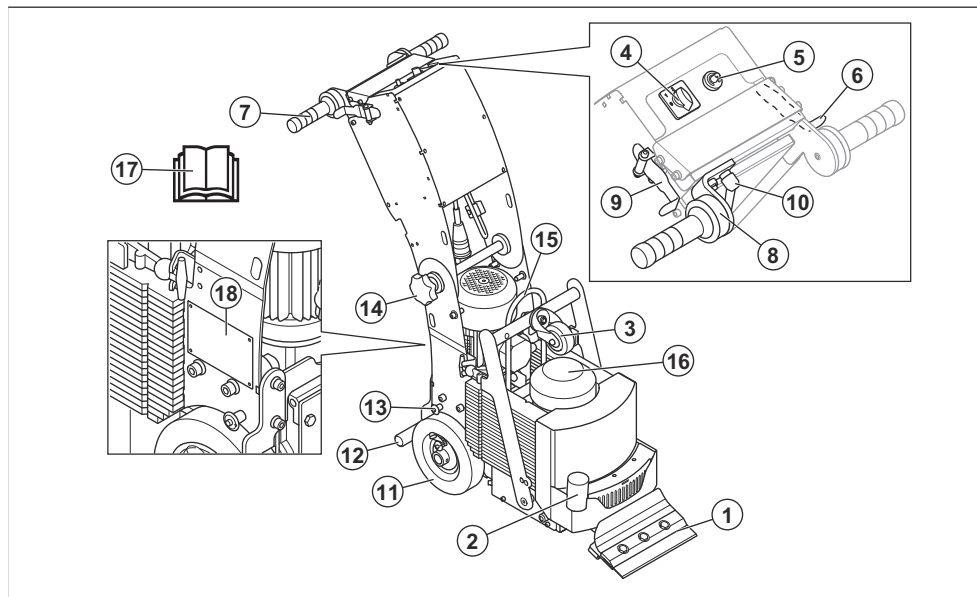
Ce produit est utilisé dans le domaine industriel, par des opérateurs professionnels.

### Présentation du produit BS 75



- |   |  |
|---|--|
| 1. Roue motrice avec goupille de blocage              | 10. Commande de vitesse                |
| 2. Béquille   | 11. Connecteur d'alimentation          |
| 3. Levier, utilisé pour démonter le produit           | 12. Poignée                            |
| 4. Bouton de réglage de la poignée                    | 13. Moteur de vibration                |
| 5. Levier de marche avant                             | 14. Raccord pour aspirateur industriel |
| 6. Levier de serrage pour poignée réglable            | 15. Porte-outils                       |
| 7. Levier de marche arrière                           | 16. Lame                               |
| 8. Poignée réglable                                   | 17. Carter de disque                   |
| 9. Interrupteur marche/arrêt et sélecteur de fonction | 18. Manuel d'utilisation               |

## Présentation du produit BS 110



1. Porte-outil et lame
2. Raccord pour aspirateur industriel
3. Roue de transport
4. Interrupteur marche/arrêt et sélecteur de fonction
5. Commande de vitesse
6. Levier de marche avant
7. Poignée à amortissement des chocs
8. Poignée réglable
9. Levier de marche arrière
10. Levier de serrage pour poignée réglable
11. Roue motrice avec goupille de blocage
12. Béquille
13. Goupille de blocage de la roue de transport
14. Bouton de réglage de la poignée
15. Anneau de levage
16. Moteur de vibration
17. Manuel d'utilisation
18. Plaque signalétique



Haute tension.



Point de levage sur le produit.



Lisez avec attention le manuel d'utilisation et assurez-vous de bien comprendre les instructions avant d'utiliser ce produit.



Portez une protection respiratoire homologuée.



Utilisez des protège-oreilles homologués.



Utilisez des protections pour les yeux homologuées.

### Symboles concernant le produit



**AVERTISSEMENT :** ce produit peut être dangereux et causer des blessures graves, voire mortelles, à l'opérateur ou à d'autres personnes. Soyez prudent et utilisez le produit correctement.



Utilisez des gants de protection homologués.



Utilisez des bottes de protection homologuées



Arrêtez la machine.



Marche arrière.



Marche avant.



Rapide.



Lent.



Roues motrices engagées.



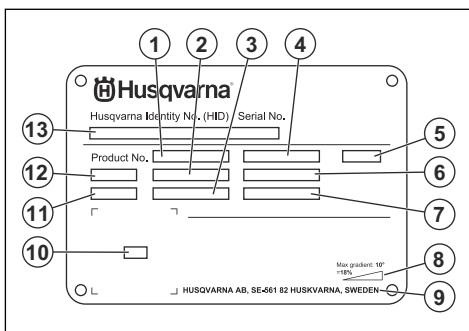
Outil engagé.



Ce produit est conforme aux directives de l'UE en vigueur.

**Remarque:** les autres symboles/autocollants présents sur le produit concernent des exigences de certification spécifiques à certains marchés.

## Plaque signalétique



1. Référence de produit
2. Poids du produit
3. Puissance nominale
4. Tension nominale
5. Boîtier
6. Intensité nominale
7. Fréquence
8. Angle de pente maximal
9. fabricant
10. QR code
11. Année de production
12. Modèle
13. Numéro de série

## Responsabilité

Conformément à la loi sur la responsabilité du fait des produits, nous déclinons toute responsabilité pour tout dommage causé par notre produit si :

- le produit n'est pas correctement réparé ;
- le produit est réparé avec des pièces qui ne proviennent pas du fabricant ou qui ne sont pas homologuées par le fabricant ;
- le produit est équipé d'un accessoire qui ne provient pas du fabricant ou qui n'est pas homologué par le fabricant ;
- le produit n'est pas réparé par un centre d'entretien agréé ou par une autorité homologuée.

---

# Sécurité

---

## Définitions de sécurité

Des avertissements, des recommandations et des remarques sont utilisés pour souligner des parties spécialement importantes du manuel.



**AVERTISSEMENT:** Symbole utilisé en cas de risque de blessures ou de mort pour l'opérateur ou les personnes à proximité si les instructions du manuel ne sont pas respectées.



**REMARQUE:** Symbole utilisé en cas de risque de dommages pour le produit, d'autres matériaux ou les environs si les instructions du manuel ne sont pas respectées.

**Remarque:** Symbole utilisé pour donner des informations supplémentaires pour une situation donnée.

---

## Instructions générales de sécurité



**AVERTISSEMENT:** Lisez les instructions qui suivent avant d'utiliser le produit.

- Ce produit est un outil dangereux si vous ne faites pas attention ou si vous l'utilisez de manière incorrecte. Ce produit peut causer des blessures graves, voire mortelles, à l'opérateur ou à d'autres personnes. Avant d'utiliser le produit, il convient de lire attentivement et de bien comprendre les instructions contenues dans ce manuel de l'opérateur.
- Conservez tous les avertissements de sécurité et toutes les instructions.
- Respectez l'ensemble des lois et réglementations applicables.
- L'opérateur et son employeur doivent connaître et éviter tout risque au cours de l'utilisation du produit.
- Ne laissez personne utiliser le produit avant d'avoir lu et compris le contenu du manuel de l'opérateur.
- N'utilisez pas le produit sauf si vous bénéficiez d'une formation préalable. Assurez-vous que tous les opérateurs suivent une formation.
- Ne laissez pas un enfant utiliser le produit.
- Seules les personnes autorisées peuvent utiliser le produit.
- L'utilisateur est tenu responsable des accidents auxquels il expose autrui ou ses biens.

- N'utilisez jamais l'appareil si vous êtes fatigué ou malade, ou si vous êtes sous l'emprise d'alcool, de drogues ou de médicaments.
- Soyez toujours prudent et utilisez votre bon sens.
- Ce produit génère un champ électromagnétique durant son fonctionnement. Ce champ peut dans certaines circonstances perturber le fonctionnement d'implants médicaux actifs ou passifs. Pour réduire le risque de blessures graves ou mortelles, nous recommandons aux personnes portant des implants médicaux de consulter leur médecin et le fabricant de leur implant avant d'utiliser cet appareil.
- Maintenez le produit propre. Assurez-vous que vous pouvez lire clairement les avertissements et les autocollants.
- N'utilisez pas le produit si celui-ci est défectueux.
- Ne modifiez pas ce produit.
- N'utilisez pas le produit s'il est susceptible d'avoir été modifié par d'autres personnes.

---

## Instructions de sécurité pour le fonctionnement



**AVERTISSEMENT:** Lisez les instructions qui suivent avant d'utiliser le produit.

- Utilisez un équipement de protection individuel. Reportez-vous à *Équipement de protection individuel à la page 65*.
- Une exposition excessive aux vibrations peut entraîner des troubles circulatoires ou nerveux chez les personnes sujettes à des troubles cardiovasculaires. Consultez un médecin en cas de symptômes liés à une exposition excessive aux vibrations. Ces symptômes peuvent être les suivants : insensibilisation ou irritation locale, douleur, chatouillements, faiblesse musculaire, décoloration ou modification cutanée. Ces symptômes affectent généralement les doigts, les mains ou les poignets.
- N'utilisez pas le produit sans les caches de protection.
- Assurez-vous de savoir comment couper le moteur rapidement en cas d'urgence.
- avant de vous éloigner du produit, coupez le moteur et débranchez le cordon d'alimentation. Assurez-vous qu'il n'y a aucun risque de démarrage accidentel.
- Assurez-vous que des vêtements, cheveux longs et bijoux ne peuvent pas se coincer dans les pièces en mouvement
- Veillez à vous tenir dans une position stable et sûre pendant l'utilisation du produit.

- Utilisez uniquement le produit sur des surfaces horizontales.
- N'utilisez pas le produit si vous ne pouvez pas être secouru en cas d'accident
- Utilisez uniquement des accessoires homologués. Pour plus d'informations, contactez votre revendeur Husqvarna.
- Si des vibrations se produisent dans le produit ou si le niveau sonore du produit est anormalement élevé, arrêtez immédiatement le produit. Vérifiez que le produit n'est pas endommagé. Réparez les éventuels dommages ou demandez à un atelier spécialisé agréé de procéder aux réparations.
- Ne vous tenez pas debout sur le produit.
- Assurez-vous que le débit d'air du moteur de vibration n'est pas obstrué.
- Branchez le produit sur un aspirateur industriel pour éliminer la poussière.
- Ne tirez pas sur le tuyau de l'aspirateur industriel. Le produit peut tomber et causer des blessures et dommages.
- Laissez l'aspirateur industriel en marche jusqu'à l'arrêt complet du moteur.
- Utilisez le produit uniquement lorsque vous vous trouvez à l'arrière, avec les mains sur la poignée.
- Vérifiez l'absence d'huile ou de graisse sur les poignées.
- Gardez toujours les 2 roues sur le sol lors de l'utilisation.
- engourdissement, perte de sensibilité, fourmillements, picotements, douleur, brûlure, palpitations, raideur, maladresse, faiblesse musculaire, changement de pigmentation de la peau ou de l'état physique.
- Les symptômes peuvent augmenter par temps froid. Utilisez des vêtements chauds et gardez les mains au chaud et au sec lorsque vous faites fonctionner le produit dans un environnement froid.
- Procédez à l'entretien et utilisez le produit comme indiqué dans le manuel d'utilisation afin de maintenir un bon niveau de vibrations.
- Le produit est doté d'un système anti-vibrations qui réduit les vibrations entre les poignées et l'opérateur. Laissez le produit faire le travail. N'appuyez pas fortement sur le produit. Tenez légèrement le produit au niveau des poignées, mais assurez-vous que vous pouvez le contrôler et l'utiliser en toute sécurité. Ne poussez pas les poignées dans les butées plus que nécessaire.
- Gardez uniquement les mains sur la ou les poignées. Éloignez toutes les autres parties du corps du produit.
- Arrêtez le produit immédiatement si de fortes vibrations se produisent soudainement. Ne poursuivez pas l'opération avant que la cause de l'augmentation des vibrations ait été supprimée.

## Sécurité antipoussière



**AVERTISSEMENT:** Lisez les instructions qui suivent avant d'utiliser le produit.

## Précautions relatives aux vibrations



**AVERTISSEMENT:** Lisez les instructions qui suivent avant d'utiliser le produit.

- Au cours de l'utilisation du produit, des vibrations sont ressenties entre le produit et l'opérateur. Un fonctionnement régulier et fréquent du produit peut blesser ou augmenter le risque de blessures graves chez l'opérateur. Des blessures peuvent se produire au niveau des doigts, des mains, des poignets, des bras, des épaules, et/ou des nerfs et des organes d'irrigation sanguine, ou d'autres parties du corps. Les blessures peuvent être invalidantes et/ou permanentes et peuvent augmenter progressivement pendant des semaines, des mois ou des années. Des dommages peuvent également être provoqués au niveau du système de circulation sanguine, du système nerveux, des articulations et d'autres parties du corps.
- Des symptômes peuvent se produire pendant le fonctionnement du produit ou à un autre moment. Si vous avez des symptômes et que vous continuez d'utiliser le produit, ceux-ci peuvent augmenter ou devenir permanents. Si l'un de ces symptômes ou d'autres symptômes se produisent, consultez un médecin :
  - Maladies pulmonaires mortelles telles que la bronchite chronique, la silicose et la fibrose pulmonaire
  - Cancer
  - Anomalies congénitales
  - Inflammation de la peau.
- Utilisez un équipement adapté permettant de réduire la quantité de poussière et de fumées dans l'air et de diminuer la poussière présente sur les équipements de travail, les surfaces, les vêtements et les parties du corps. Par exemple, des systèmes de collecte de la poussière ainsi que des pulvérisateurs d'eau permettant de capter la poussière. Réduisez la quantité de poussière au niveau de la source, dans la mesure du possible. Assurez-vous que l'équipement est correctement installé et utilisé, et qu'un entretien régulier est effectué.



- Portez une protection respiratoire homologuée. Assurez-vous que la protection respiratoire est adaptée aux matériaux dangereux dans la zone de travail.
- Assurez-vous que la zone de travail est suffisamment aérée.

### Sécurité relative au bruit



**AVERTISSEMENT:** Lisez les instructions qui suivent avant d'utiliser le produit.

- Des niveaux sonores élevés et une exposition prolongée au bruit peuvent provoquer une perte auditive.
- Afin de maintenir le niveau sonore au minimum, effectuez l'entretien et utilisez le produit comme indiqué dans le manuel d'utilisation.
- Utilisez des protège-oreilles homologués pendant l'utilisation du produit.
- Soyez attentif aux signaux d'alerte et aux appels lorsque vous portez des protège-oreilles. Retirez les protège-oreilles lorsque le produit est arrêté, sauf si les protège-oreilles sont nécessaires en raison du niveau sonore dans la zone de travail.

### Équipement de protection individuel



**AVERTISSEMENT:** Lisez les instructions qui suivent avant d'utiliser le produit.

- Portez toujours un équipement de protection individuel homologué lorsque vous utilisez le produit. L'équipement de protection individuel ne protège pas complètement des blessures, mais il diminue la gravité des blessures en cas d'accident. Faites appel à votre revendeur pour vous aider à sélectionner l'équipement de protection individuel adéquat.
- Vérifiez régulièrement l'état de votre équipement de protection individuel.
- Utilisez un casque de protection homologué.
- Utilisez des protège-oreilles agréés.
- Portez une protection respiratoire homologuée.
- Utilisez des protections pour les yeux homologuées avec protections latérales.
- Utilisez des gants de protection.
- Utilisez des bottes avec embouts en acier et semelle antidérapante.
- Utilisez des vêtements de travail homologués ou des vêtements près du corps équivalents dotés de manches longues et d'un pantalon.

### Extincteur

- Gardez un extincteur à proximité lors de l'utilisation du produit.

- Utilisez un extincteur à poudre ou un extincteur à gaz carbonique.

### Sécurité dans la zone de travail



**AVERTISSEMENT:** Lisez les instructions qui suivent avant d'utiliser le produit.

- N'utilisez pas le produit en cas de brouillard, pluie, vents violents, risque de foudre ou autres conditions climatiques.
- N'utilisez pas ce produit dans des zones présentant un risque d'incendie ou d'explosion.
- Éloignez les animaux, les enfants et toute personne à l'écart de la zone de travail et à une distance de sécurité du produit.
- Assurez-vous que seules les personnes autorisées se trouvent dans la zone de travail.
- Veillez à ce que la zone de travail reste propre et suffisamment éclairée.
- Retirez les objets tels que les vis, les boulons, les câbles et les pierres de la zone de travail avant d'utiliser le produit.
- Assurez-vous qu'aucun câble ou tuyau n'est présent dans le sens de marche du produit.
- Assurez-vous qu'il y ait une circulation d'air suffisante dans la zone de travail.

### Sécurité électrique



**AVERTISSEMENT:** les produits électriques présentent toujours un risque de choc. N'utilisez pas le produit dans de mauvaises conditions météorologiques. Ne touchez pas de paratonnerres ni d'objets métalliques. Utilisez toujours le produit comme indiqué dans ce manuel d'utilisation pour éviter les blessures.



**AVERTISSEMENT:** Utilisez toujours une alimentation avec RCD (disjoncteur différentiel). L'utilisation d'un RCD permet de réduire le risque de choc électrique.



**AVERTISSEMENT:** Haute tension. Il y a des pièces non protégées dans l'unité électrique. Débranchez toujours le produit de la prise de courant avant d'ouvrir la porte du boîtier électrique.



**REMARQUE:** L'alimentation électrique du produit ou du générateur doit être suffisamment puissante et constante pour que le moteur électrique puisse fonctionner sans problème. Une tension

incorrecte provoque l'augmentation de la consommation d'énergie et de la température du moteur jusqu'au déclenchement du circuit de sécurité. Les dimensions du cordon d'alimentation doivent être conformes aux réglementations nationales et locales. Les dimensions de la prise secteur doivent être conformes à l'ampérage de la prise électrique et du câble de rallonge du produit.

Si la résistance du secteur est plus élevée, de brèves chutes de tension peuvent se produire lorsque le produit est démarré. Cela peut affecter le fonctionnement d'autres produits ; les lampes peuvent par exemple scintiller.

agent d'entretien Husqvarna. Respectez la législation et les réglementations locales.

Si vous n'avez pas bien compris les instructions de mise à la terre du produit, consultez un électricien homologué.

Utilisez uniquement des rallonges d'extérieur mises à la terre ainsi que des fiches de terre et une prise de terre adaptées à la fiche du produit.

Le produit est équipé d'un cordon d'alimentation de mise à la terre et d'une prise de courant. Branchez systématiquement le produit sur une prise secteur mise à la terre. Cela permet de réduire le risque de choc électrique en cas de dysfonctionnement.

N'utilisez pas d'adaptateurs électriques avec le produit.

### Rallonges

- Utilisez uniquement des rallonges homologuées d'une longueur suffisante.
- La valeur nominale sur la rallonge doit être identique ou supérieure à celle indiquée sur la plaque signalétique du produit.
- Utilisez des câbles de rallonge mis à la terre.
- Lorsque vous utilisez l'outil à l'extérieur, utilisez une rallonge adaptée à un usage extérieur. Cela réduit le risque de choc électrique.
- Maintenez la connexion de la rallonge au sec et au-dessus du sol.
- Maintenez la rallonge à l'écart de la chaleur, d'huile, de bords tranchants ou de pièces en mouvement. Un câble endommagé augmente le risque de choc électrique.
- Assurez-vous que la rallonge est en bon état et non endommagée.
- N'utilisez pas la rallonge lorsqu'elle est enroulée. Cela peut entraîner une surchauffe de la rallonge.
- Assurez-vous que la rallonge est derrière vous et derrière le produit lorsque vous utilisez le produit. Cela empêche toute dégradation de la rallonge.

### Dispositifs de sécurité sur le produit



**AVERTISSEMENT:** Lisez les instructions qui suivent avant d'utiliser le produit.

- N'utilisez pas un produit avec des dispositifs de sécurité défectueux.
- Contrôlez les dispositifs de sécurité régulièrement. Si les dispositifs de sécurité sont défectueux, parlez-en à votre agent d'entretien Husqvarna.

### Pour contrôler l'interrupteur marche/arrêt et sélecteur de fonction

1. Réglez l'interrupteur marche/arrêt et sélecteur de fonction sur « 0 ».
2. Branchez le produit à l'alimentation électrique.

- Assurez-vous que la tension d'alimentation, des fusibles et du secteur est identique à celle indiquée sur la plaque signalétique du produit.
- Arrêtez toujours le produit avant de débrancher la prise de courant.
- N'utilisez pas le produit si le cordon d'alimentation ou la prise de courant sont endommagés. Confiez-le à un centre de service homologué pour réparation. Un cordon d'alimentation endommagé peut provoquer des blessures graves, voire mortelles.
- Utilisez le cordon d'alimentation correctement. N'utilisez pas le cordon d'alimentation pour déplacer, tirer ou débrancher le produit. Tirez sur la prise de courant pour débrancher le câble d'alimentation. Ne tirez pas le cordon d'alimentation.
- N'utilisez pas le produit dans un trou d'eau suffisamment profond pour mouiller l'équipement du produit. L'équipement peut être endommagé et le produit peut être mis sous tension et causer des blessures.
- N'ajoutez pas plus d'humidité au produit que celle fournie par le système d'eau. Tenez le produit à l'abri de la pluie. L'eau qui s'infiltré dans le produit augmente le risque de choc électrique.
- Débranchez toujours de cordon d'alimentation avant de brancher ou débrancher la connexion du câble du moteur et du boîtier électrique.

### Instructions pour produit mis à la terre



**AVERTISSEMENT:** un mauvais branchement peut provoquer un choc électrique. Consultez un électricien homologué si vous n'êtes pas certain que votre prise secteur est correctement mise à la terre.

Ne modifiez pas la prise de courant par rapport à ses spécifications d'usine. Si la fiche d'alimentation ou le cordon d'alimentation est endommagé ou doit être remplacé, adressez-vous à votre

3. Réglez l'interrupteur marche/arrêt et sélecteur de fonction sur « 1 ». Le moteur d'entraînement démarre.
  4. Réglez l'interrupteur marche/arrêt et sélecteur de fonction sur « 2 ». Le moteur d'entraînement est en marche et le moteur de vibration démarre.
  5. Réglez l'interrupteur marche/arrêt et sélecteur de fonction sur « 0 ».
  6. Assurez-vous que le moteur d'entraînement et le moteur de vibration s'arrêtent.
- Nettoyez le produit afin de retirer tout matériau dangereux avant de faire l'entretien.
  - Avant d'effectuer l'entretien, coupez le moteur et débranchez la fiche d'alimentation.
  - Effectuez l'entretien du produit sur un sol de niveau et stable.
  - Ne modifiez pas le produit. Les modifications apportées au produit qui ne sont pas approuvées par le fabricant peuvent causer des blessures graves, voire mortelles.
  - Remplacez les pièces endommagées, usées ou cassées.
  - Utilisez toujours les accessoires et les pièces de rechange d'origine. Les accessoires et les pièces de rechange qui ne sont pas approuvés par le fabricant peuvent causer des blessures graves, voire mortelles.
  - Après l'entretien, contrôlez le niveau de vibrations dans le produit. S'il n'est pas correct, contactez un atelier spécialisé agréé.
  - Demandez à un atelier spécialisé d'effectuer régulièrement l'entretien du produit.

## Instructions de sécurité pour l'entretien



**AVERTISSEMENT:** Lisez les instructions qui suivent avant d'utiliser le produit.

- Utilisez un équipement de protection individuel. Reportez-vous à *Équipement de protection individuel à la page 65*.
- Effectuez uniquement les tâches d'entretien décrites dans le présent manuel d'utilisation. Laissez un atelier spécialisé agréé se charger de toutes les autres opérations d'entretien.
- Si l'entretien n'est pas effectué correctement et régulièrement, le risque de blessures et d'endommagement du produit augmente.

## Utilisation

### Introduction



**AVERTISSEMENT:** Avant d'utiliser le produit, vous devez lire et comprendre le chapitre sur la sécurité.

### À faire avant d'utiliser le produit

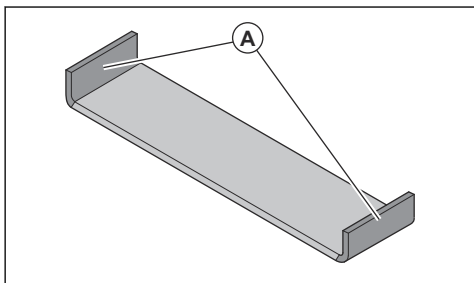
1. Lisez attentivement le manuel d'utilisation et assurez-vous de bien comprendre les instructions.
2. Lisez attentivement la section du manuel d'utilisation correspondant à l'aspirateur industriel et assurez-vous de bien comprendre les instructions.
3. Utilisez un équipement de protection individuel. Reportez-vous à *Équipement de protection individuel à la page 65*.
4. Effectuez l'entretien quotidien. Reportez-vous à *Calendrier d'entretien à la page 73*.
5. Assurez-vous que le produit est correctement monté et qu'il n'est pas endommagé.
6. Assurez-vous que seules les personnes autorisées se trouvent dans la zone de travail.
7. Placez le produit sur la zone de travail. Assurez-vous que le transport du produit vers et dans la zone de travail est effectué correctement et en toute sécurité. Reportez-vous à *Transport, entreposage et mise au rebut à la page 79*.
8. Branchez un aspirateur industriel sur le produit. Reportez-vous à *Pour brancher un aspirateur industriel à la page 69*.
9. Placez la poignée dans une position d'utilisation confortable. Reportez-vous à *Pour régler la hauteur de la poignée à la page 68* et *Pour régler la poignée réglable à la page 68*.
10. Assurez-vous que les roues motrices sont engagées. Reportez-vous à *Pour engager et désengager les roues motrices à la page 80*.
11. Installez une lame. Reportez-vous à *Pour sélectionner la dimension de lame et la position de montage correctes à la page 68*.



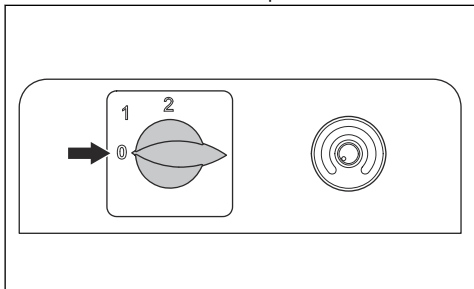
**AVERTISSEMENT:** utilisez des gants de protection. Les lames sont très coupantes.

12. Vérifiez que la lame est affûtée. Si nécessaire, remplacez la lame ou affûtez-la. Reportez-vous à *Pour remplacer la lame à la page 76* et *Pour aiguiser la lame à la page 76*.

13. Si vous utilisez une lame en U, assurez-vous que les angles aux extrémités de la lame (A) sont tranchants.



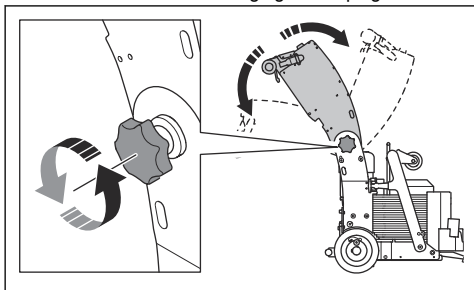
14. Assurez-vous que l'interrupteur marche/arrêt et sélecteur de fonction est en position « 0 ».



15. Branchez le produit à une alimentation électrique. Reportez-vous à *Pour brancher le produit sur une alimentation électrique* à la page 69.

## Pour régler la hauteur de la poignée

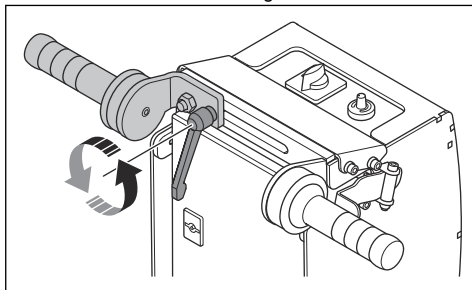
1. Desserrez le bouton de réglage de la poignée.



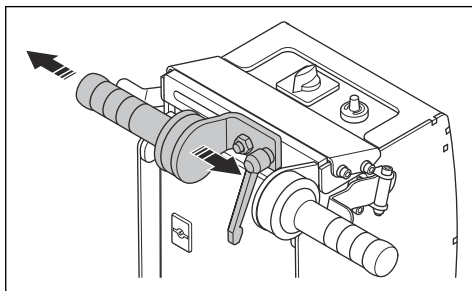
2. Déplacez la poignée dans la position souhaitée.  
3. Serrez le bouton de réglage de la poignée.

## Pour régler la poignée réglable

1. Desserrez le levier de serrage.



2. Placez la poignée réglable dans une position correcte.



3. Serrez le levier de serrage.

## Pour sélectionner la dimension de lame et la position de montage correctes



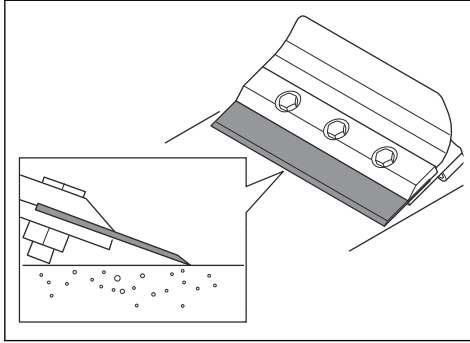
**AVERTISSEMENT:** utilisez des gants de protection. Les lames sont très coupantes.

Tous les types de lames disponibles peuvent être utilisés pour les matériaux approuvés : bois dur, céramique, linoléum, vinyle, moquette, adhésifs et colle. Reportez-vous à *Lames* à la page 87.

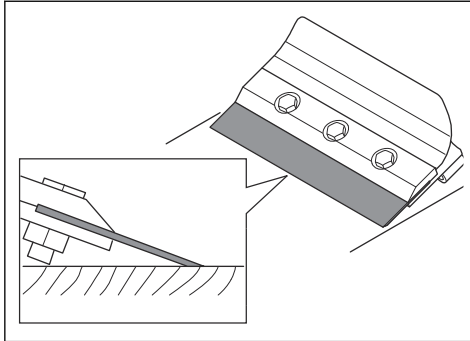
Il est nécessaire de sélectionner la dimension et l'installation correctes de la lame pour le matériau à retirer et le type de sous-plancher. Des lames de dimensions différentes peuvent être nécessaires au cours d'une même opération.

- Sélectionnez une lame de plus petite taille dans les situations suivantes :
  - a) Au début de l'opération.
  - b) En cas d'utilisation sur des matériaux dotés d'un adhésif puissant.
  - c) En cas d'utilisation sur des matériaux durs.
- Sélectionnez une plus grande lame dans les situations suivantes :
  - a) En cas d'utilisation sur des matériaux tendres.

- Choisissez une lame plus épaisse, dédiée à une utilisation intensive, pour les matériaux durs. Une lame plus épaisse a également une durée de vie plus longue.
- Installez la lame en orientant le biseau vers le haut pour retirer des matériaux sur des sols en béton.



- Installez la lame en orientant le biseau vers le bas pour retirer des matériaux sur des sols en bois et des sous-planchers souples.



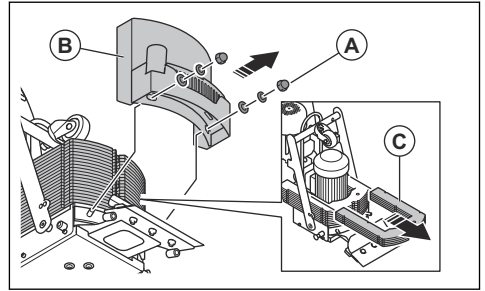
## Pour retirer et installer les poids BS 110



**AVERTISSEMENT:** les poids sont lourds.

1. Débranchez l'alimentation électrique.

2. Retirez les 2 écrous (A).



3. Retirez le couvercle (B).
4. Retirez les poids (C).
5. Effectuez l'installation en suivant les étapes dans l'ordre inverse.

## Pour brancher un aspirateur industriel



**AVERTISSEMENT:** N'utilisez pas l'aspirateur industriel si son tuyau est endommagé. L'utilisation d'un tuyau endommagé accroît le risque d'inhalation de poussière nocive pour votre santé. Portez une protection respiratoire homologuée.

1. Vérifiez que le tuyau de l'aspirateur industriel n'est pas endommagé.
2. Assurez-vous que les filtres de l'aspirateur industriel sont en bon état et propres.
3. Raccordez le flexible de l'aspirateur industriel sur le raccord de l'aspirateur industriel. Reportez-vous à la section *Présentation du produit BS 75* à la page 60 pour connaître l'emplacement du raccord de l'aspirateur industriel sur votre produit.

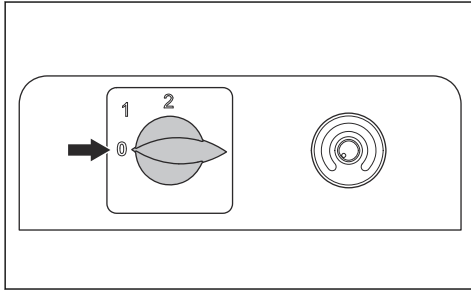
## Pour brancher le produit sur une alimentation électrique

1. Branchez une rallonge adaptée sur la fiche d'alimentation du produit.
2. Branchez le câble de rallonge à une prise secteur.

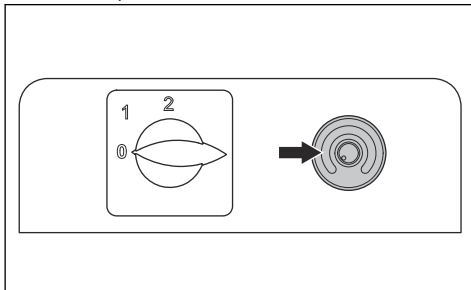
## Pour démarrer le produit

1. Mettez l'aspirateur industriel en marche.

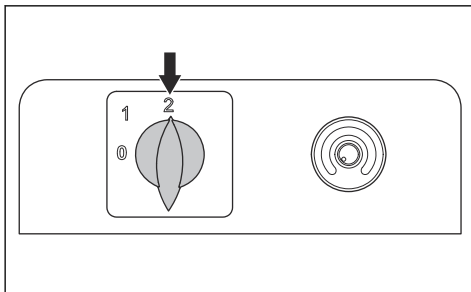
2. Assurez-vous que l'interrupteur marche/arrêt et sélecteur de fonction est en position « 0 » et que le produit est branché sur l'alimentation électrique.



3. Tournez la commande de vitesse dans le sens contraire des aiguilles d'une montre jusqu'à la vitesse la plus basse.



4. Tournez le sélecteur de fonction en position « 1 » ou « 2 ».

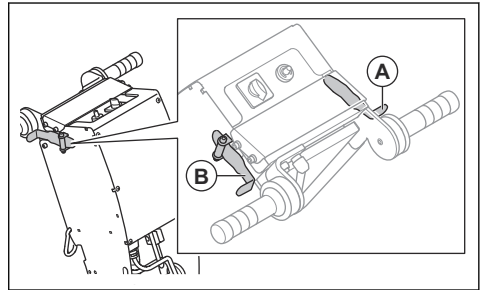


**Remarque:** en position « 1 », le moteur d'entraînement démarre. En position « 2 », le moteur d'entraînement et le moteur de vibration démarrent.

5. Tournez lentement la commande de vitesse dans le sens des aiguilles d'une montre jusqu'à la vitesse requise.

l'interrupteur marche/arrêt et sélecteur de fonction sur « 0 ».

1. Assurez-vous que le sélecteur de fonction est dans la position correcte pour l'utilisation. Sans vibrations : position « 1 ». Avec vibrations : position « 2 ».
2. Poussez les leviers d'entraînement pour déplacer le produit.

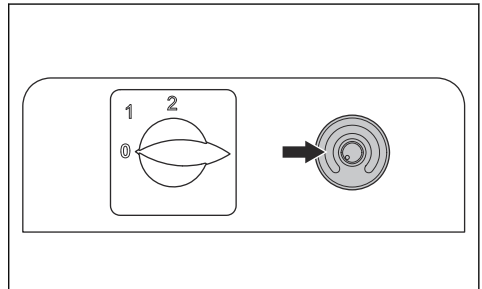


- a) Pour déplacer le produit vers l'avant, poussez le levier de marche avant (A). Le produit se déplace vers l'avant à la vitesse définie.
- b) Pour déplacer le produit vers l'avant à la vitesse maximale, poussez le levier de marche arrière (B) tout en avançant.
- c) Pour déplacer le produit vers l'arrière, poussez uniquement le levier de marche arrière (B).



**AVERTISSEMENT:** Le déplacement vers l'arrière du produit s'effectue toujours à la vitesse maximale.

3. Tournez la commande de vitesse pour régler la vitesse de marche avant définie pendant le fonctionnement.



4. Pour positionner la lame près d'un mur, réglez la poignée réglable. Reportez-vous à *Pour régler la poignée réglable à la page 68*.

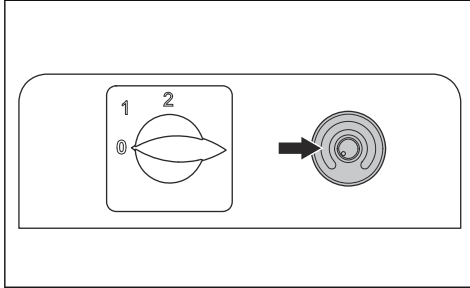
## Pour utiliser le produit



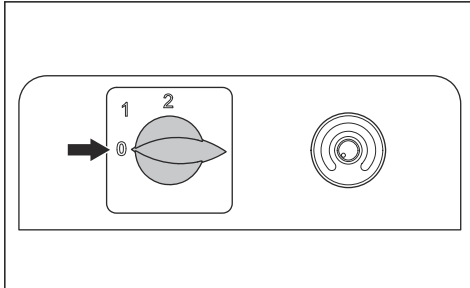
**AVERTISSEMENT:** si le produit s'arrête pour une cause inconnue pendant le fonctionnement, placez immédiatement

## Pour arrêter le produit

1. Tournez la commande de vitesse dans le sens contraire des aiguilles d'une montre jusqu'à la vitesse la plus basse.



2. Relâchez les leviers d'entraînement.
3. Tournez l'interrupteur marche/arrêt et sélecteur de fonction en position « 0 ».



4. Arrêtez l'aspirateur industriel.
5. Débranchez l'alimentation électrique.

## Pour retirer une surface sur un sol meuble



**AVERTISSEMENT:** utilisez des gants de protection. Les lames sont très coupantes.

**Remarque:** Les lames courtes coupent les sols plus facilement que les lames longues. Les lames longues ne sont pas toujours plus efficaces ou plus rapides. Généralement, une lame courte nettoie mieux le sol qu'une lame large.

**Remarque:** Les lames sont affûtées plus longtemps si la zone de travail est propre et exempte de matériaux indésirables.

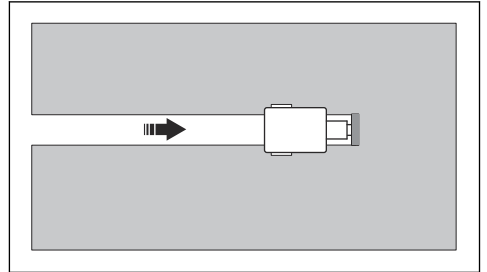
1. Utilisez un équipement de protection individuel. Reportez-vous à *Équipement de protection individuel* à la page 65.

2. Installez une lame en U. Reportez-vous à *Pour sélectionner la dimension de lame et la position de montage correctes* à la page 68 et *Pour remplacer la lame* à la page 76.



**AVERTISSEMENT:** utilisez des gants de protection. Les lames sont très coupantes.

3. Vérifiez que la lame est affûtée. Aiguiser la lame, si nécessaire. Reportez-vous à *Pour aiguiser la lame* à la page 76.
4. Découpez un fossé linéaire dans le sol.

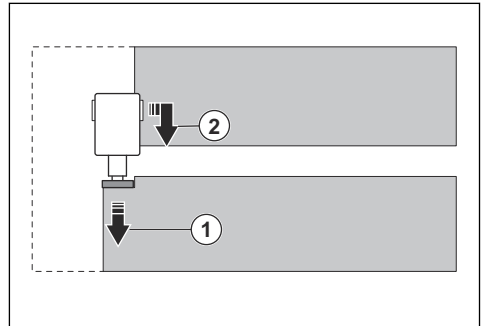


5. Installez une lame plate.



**AVERTISSEMENT:** utilisez des gants de protection. Les lames sont très coupantes.

6. Commencez au niveau du fossé et retirez le sol.



## Pour retirer une surface sur un sol dur



**AVERTISSEMENT:** utilisez des gants de protection. Les lames sont très coupantes.

**Remarque:** Les lames courtes coupent les sols plus facilement que les lames longues. Les lames longues ne sont pas toujours plus efficaces ou plus rapides. Généralement, une lame courte nettoie mieux le sol qu'une lame large.

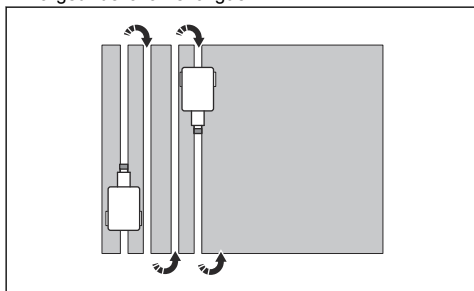
**Remarque:** Les lames sont affûtées plus longtemps si la zone de travail est propre et exempte de matériaux indésirables.

1. Utilisez un équipement de protection individuel. Reportez-vous à *Équipement de protection individuel* à la page 65.
2. Installez une lame courte du type correct. Reportez-vous à *Pour sélectionner la dimension de lame et la position de montage correctes* à la page 68 et *Pour remplacer la lame* à la page 76.



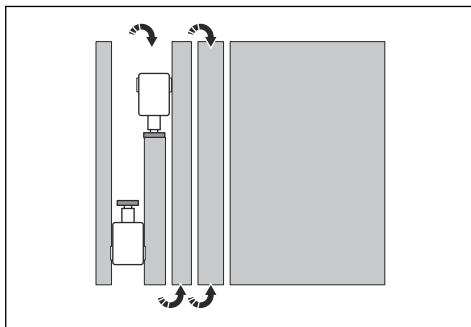
**AVERTISSEMENT:** utilisez des gants de protection. Les lames sont très coupantes.

3. Vérifiez que la lame est affûtée. Aiguiser la lame, si nécessaire. Reportez-vous à *Pour aiguiser la lame* à la page 76.
4. Découpez des fossés linéaires dans le sol. Vérifiez que la distance entre les fossés correspond à la largeur de la lame longue.

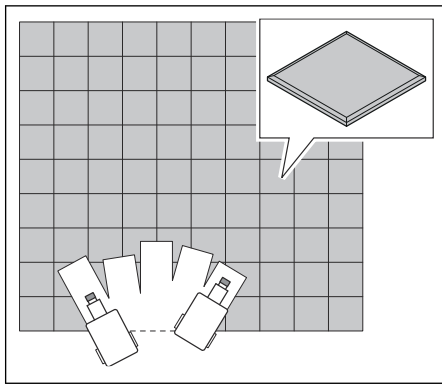


5. Installez une lame longue du type correct. Reportez-vous à *Pour sélectionner la dimension de lame et la position de montage correctes* à la page 68 et *Pour remplacer la lame* à la page 76.

6. Vérifiez que la lame est affûtée. Aiguiser la lame, si nécessaire. Reportez-vous à *Pour aiguiser la lame* à la page 76.
7. Retirez le sol entre les fossés.



**Remarque:** Utilisez un burin et déplacez le produit en éventail pour retirer les carreaux et les sols en bois.



## Applications de lame

Type de sol	Application de lame
VCT : carreaux en vinyle	N'utilisez pas une lame plus large que la dimension des carreaux retirés. Si les carreaux ne sont pas propres ou si la machine saute sur les carreaux, installez une lame plus petite jusqu'à ce que la taille de lame soit correcte ou utilisez une partie plus petite de la lame.
Vinyle, caoutchouc, PVC, moquette collée directement	Pour un retrait correct, la moquette doit être entaillée (sous forme de fossés) à l'aide d'une lame en U de 152 mm. Les tapis préentaillés ou prédécoupés facilitent le contrôle de la machine, et les lames restent affûtées plus longtemps. Normalement, des lames de 254 mm sont utilisées sur des moquettes directement collées, disposant d'un support secondaire, doublement collées ou à collage simple, les mousses en vinyle ou en uréthane. Les mousses en latex sont faciles à retirer avec une lame de 305 mm.



Type de sol	Application de lame
Céramique (à colle Double Duty ou à prise en terre)	Les carreaux en céramique doivent être pré-cassés avec un maillet ou un gros marteau avant de les retirer avec la décolleuse. Utilisez un gros marteau pour casser suffisamment de carreaux afin de créer un espace pour que la machine ou la lame puisse s'y insérer. Ou commencez à un seuil de porte. Utilisez une vitesse lente et de petites lames ou un burin. Maintenez la zone de travail propre pour garantir le bon contact des roues avec le sol.
Sols en bois et matériaux similaires	Pré-sciez le bois à l'aide d'une scie circulaire. Frappez ou retirez les clous ou les obstacles métalliques pour éviter d'endommager la lame.
Parquet en bois massif collé	<p>Pour un retrait correct des parquets (planches en bois massif, planches stratifiées, parkay, parqueterie laminée), le sol doit être pré-scier. Pour ce faire, utilisez une scie circulaire réglée à une profondeur de 99 % de l'épaisseur de la lame, pour s'arrêter un peu avant la surface du sous-plancher. Tracez des lignes de craie sur le sol et pré-sciez à la largeur de la lame. (tous les 152 mm).</p> <p>Il n'est pas nécessaire d'entailler un sol en parkay. Il se présente en petits morceaux. Lorsque vous travaillez sur un sous-plancher en contreplaqué, essayez de faire fonctionner la machine dans le même sens que le grain du bois. La lame est généralement biseautée vers le bas. Sur les sols en bois massif comme des planches, avancez dans la même direction que la planche, et non dans le sens de la coupe transversale du grain ou de la planche. Le retrait des contrepois avant facilite le travail sur toutes les surfaces souples.</p>
Béton	Lors du travail sur des dalles de béton, la position normale de la lame est biseautée vers le haut pour de meilleures performances, en particulier lors du nettoyage de l'adhésif. Parfois, le biseau vers le bas améliore la durée de vie de la lame.

## Entretien

### Introduction



**AVERTISSEMENT:** Avant d'effectuer des travaux d'entretien, vous devez lire et comprendre le chapitre sur la sécurité.

Une formation spécifique est nécessaire pour effectuer tous les travaux d'entretien et de réparation du produit. Nous garantissons qu'il vous est possible d'obtenir des services de réparation et d'entretien effectués par des professionnels. Si votre concessionnaire n'est pas un atelier spécialisé, demandez-lui des informations à propos de l'atelier spécialisé le plus proche.

### Calendrier d'entretien

\* = Entretien général effectué par l'opérateur. Les instructions ne sont pas mentionnées dans ce manuel d'utilisation.

X = Les instructions sont mentionnées dans ce manuel d'utilisation.

O = Les instructions ne sont pas mentionnées dans ce manuel d'utilisation. Faites réaliser l'entretien par un agent d'entretien agréé.

Entretien	Tous les jours	Toutes les semaines	Tous les 12 mois
Contrôlez tous les dispositifs de sécurité du produit.	*		
Contrôlez l'état d'usure de la lame, et assurez-vous qu'elle est suffisamment affûtée.	X		
Vérifiez que tous les connecteurs électriques sont propres.	X		

Entretien	Tous les jours	Toutes les semaines	Tous les 12 mois
Assurez-vous que les moteurs sont propres.	*		
Nettoyez les surfaces extérieures du produit.	X		
Faites une inspection générale.	X		
Contrôlez les points de fixation et la fonction de verrouillage des poids.		*	
Vérifiez les unités d'amortissement des vibrations sur la tête de coupe.		X	
Nettoyez les composants internes du produit.			O

## Pour faire une inspection générale

- Assurez-vous que les vis et les écrous du produit sont serrés.
- Assurez-vous que les câbles du produit ne se trouvent pas dans une position où ils risquent d'être endommagés.
- Examinez les composants électriques pour repérer d'éventuels dommages. N'utilisez pas un produit dont les composants électriques sont endommagés.

## Nettoyage du produit



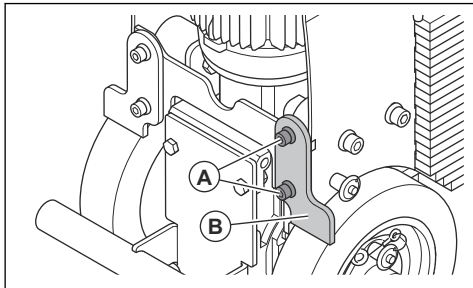
**AVERTISSEMENT:** Nettoyez le produit tous les jours pour éviter la circulation de poussières dangereuses.

- Placez le produit dans une zone adaptée.
- Portez des gants de protection homologués lorsque vous nettoyez le produit.
- Nettoyez la surface externe avec un chiffon humide.
- N'utilisez pas d'eau sur les composants électriques.
- N'utilisez pas de nettoyeur haute pression ou d'air comprimé pour nettoyer le produit.

## Pour nettoyer et régler les plaques de raclage de roue

Nettoyez si nécessaire les plaques de raclage de roue.

1. Débranchez l'alimentation électrique.
2. Desserrer les 2 vis (A).



3. Réglez la plaque de raclage de roue (B).



**REMARQUE:** La plaque de raclage de roue doit toucher les roues, mais ne doit pas trop pousser contre les roues.

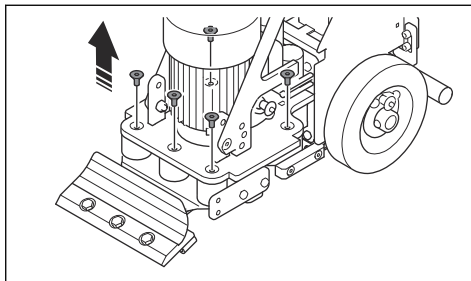
4. Serrez les 2 vis.
5. Effectuez la même procédure sur la plaque de raclage de l'autre roue.

## Pour remplacer les unités d'amortissement des vibrations BS 75

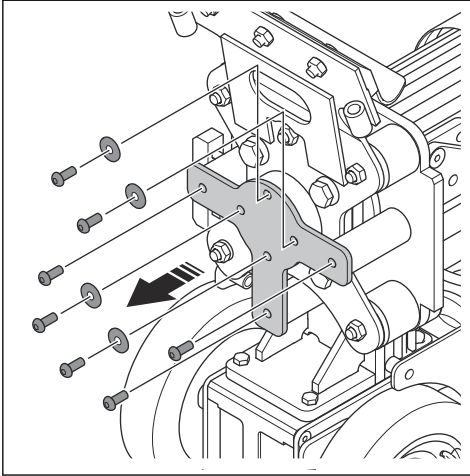


**AVERTISSEMENT:** utilisez des gants de protection. Les lames sont très coupantes.

1. Retirez la lame ou fixez la protection des lames. Reportez-vous à *Pour remplacer la lame à la page 76*.
2. Retirez les poids. Reportez-vous à *Pour démonter et monter le produit BS 75 à la page 81*.
3. Retirez les 5 vis.

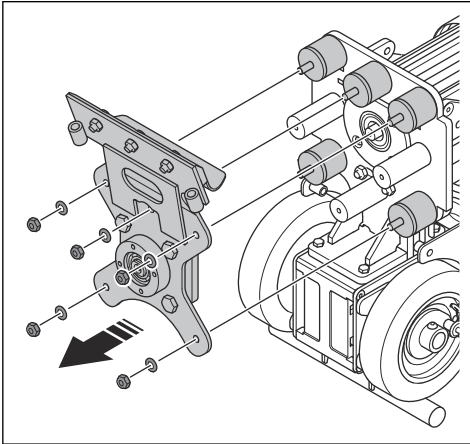


4. Retirez les 7 vis.



5. Retirez le boulon central pour libérer le moyeu de roulement.

6. Démontez les 5 écrous.



7. Retirez la plaque d'amortissement des vibrations des 5 unités d'amortissement des vibrations.

8. Effectuez l'installation en suivant les étapes dans l'ordre inverse.

### Pour remplacer les unités d'amortissement des vibrations BS 110

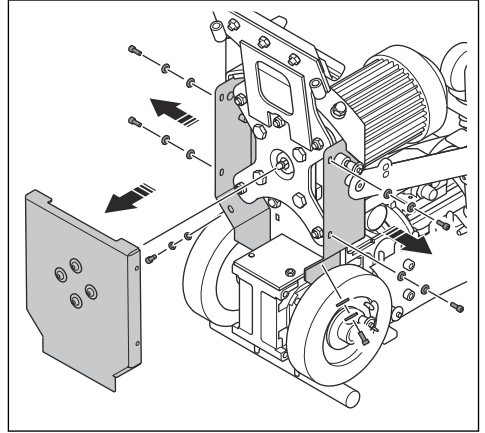
1. Retirez la lame. Reportez-vous à *Pour remplacer la lame à la page 76*.



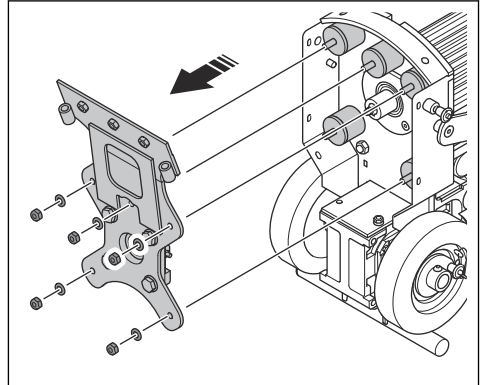
**AVERTISSEMENT:** utilisez des gants de protection. Les lames sont très coupantes.

2. Retirez les poids. Reportez-vous à *Pour retirer et installer les poids BS 110 à la page 69*.

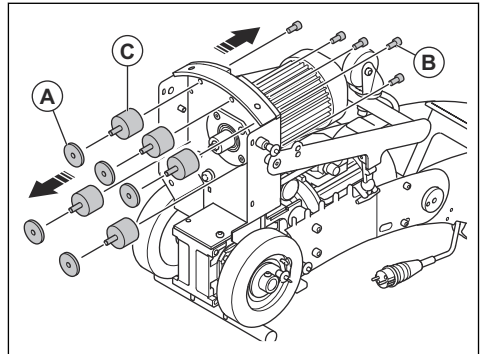
3. Retirez les 6 vis et le capot inférieur.



4. Retirez les 5 écrous et la tête de coupe.



5. Retirez les 5 rondelles (A).



6. Retirez les 5 vis (B) et les 5 unités d'amortissement des vibrations (C).

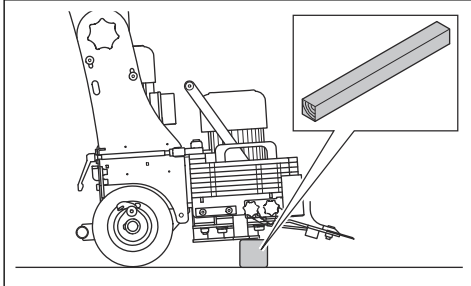
7. Effectuez l'installation en suivant les étapes dans l'ordre inverse.

### Pour remplacer la lame

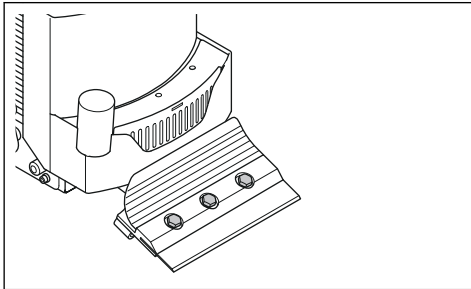


**AVERTISSEMENT:** utilisez des gants de protection. Les lames sont très coupantes.

1. Soulevez l'avant du produit et placez un support sous le produit. Assurez-vous que la lame n'est pas en contact avec le sol.



2. Desserrez les 3 vis sur le porte-outils.



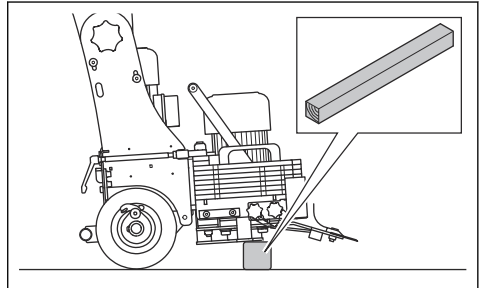
3. Retirez la lame.
4. Poussez la nouvelle lame dans le porte-outils.
5. Veillez à ce que la lame soit dans la bonne position.
6. Serrez les 3 vis sur le porte-outils.

### Pour aiguiser la lame



**AVERTISSEMENT:** utilisez des gants de protection. Les lames sont très coupantes.

1. Soulevez l'avant du produit et placez un support sous le produit. Assurez-vous que la lame n'est pas en contact avec le sol.

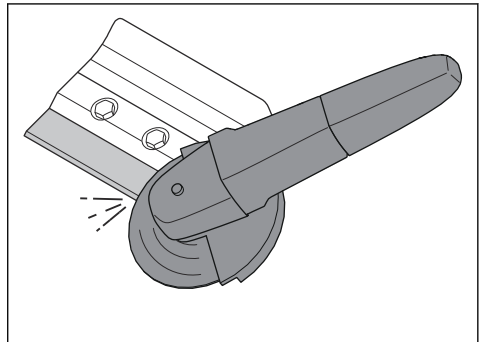


2. Affûtez la lame à l'aide d'une meuleuse d'angle. Utilisez un disque de ponçage d'un grain de 120.

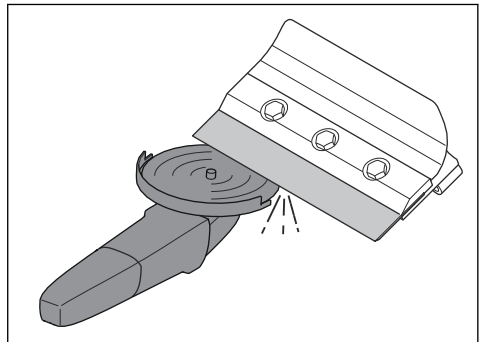


**AVERTISSEMENT:** Assurez-vous que le disque de ponçage n'entre pas en contact avec le bord ou le coin de la lame.

- a) Poncez le bord supérieur de la lame pour le biseauter vers le haut.

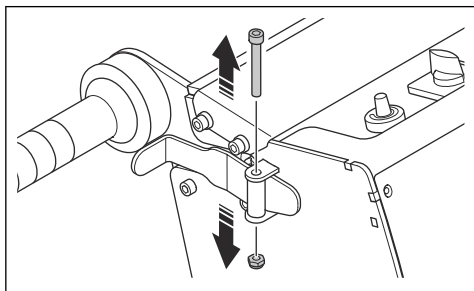


- b) Poncez le bord inférieur de la lame pour le biseauter vers le haut.

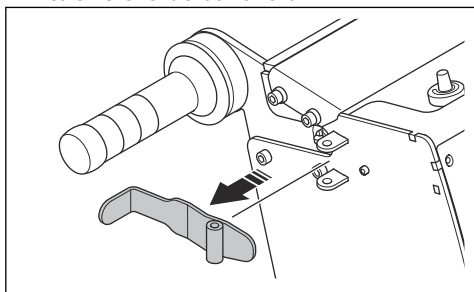


## Pour régler un levier d'entraînement

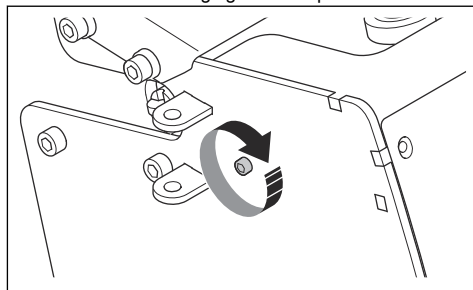
1. Retirez l'écrou et la vis.



2. Retirez le levier d'entraînement.



3. Tournez la vis de réglage dans la position correcte.



4. Installez le levier d'entraînement, la vis et l'écrou.

## Recherche de pannes

Problème	Cause	Solution
Le produit ne démarre pas.	La rallonge est débranchée ou endommagée.	Branchez la rallonge ou, si nécessaire, remplacez-la.
		Assurez-vous que le câble est remplacé, le cas échéant.
	Vérifiez si l'entraînement à vitesse variable a déclenché des codes d'erreur.	Reportez-vous à <i>Codes d'erreur à la page 78</i> .
	Le bouton d'arrêt d'urgence est engagé.	Tournez le bouton d'arrêt d'urgence sur le panneau de commande dans le sens des aiguilles d'une montre pour le désengager.
Difficulté à tenir le produit.	Les unités d'amortissement des vibrations sont usées ou endommagées.	Remplacez les unités d'amortissement des vibrations.
	Le palier inférieur du moteur est défectueux.	Adressez-vous à un agent d'entretien Husqvarna agréé.
	La lame est émoussée ou n'est pas correctement installée.	Vérifiez la lame et affûtez-la si nécessaire.

Problème	Cause	Solution
Il est difficile de déplacer le produit.	Les plaques de raclage de roue sont bloquées ou endommagées.	Nettoyez et examinez les plaques de raclage de roue. Remplacez les pièces endommagées.
	Les roues sont bloquées ou endommagées.	Nettoyez et examinez les roues. Remplacez les pièces endommagées.
L'entraînement à vitesse variable s'arrête.	La charge est trop élevée ou l'alimentation électrique est insuffisante.	Contrôlez l'alimentation électrique.
Le moteur de vibration ne fonctionne pas correctement.	Le palier inférieur du moteur est défectueux.	Adressez-vous à un agent d'entretien Husqvarna agréé.

## Codes d'erreur

Code d'erreur	Nom	Cause	Action
uSF	Tension basse.	La tension de l'alimentation secteur est trop faible.	Vérifiez la tension d'alimentation.
□SF	Haute tension.	La tension de l'alimentation secteur est trop élevée.	Arrêtez le produit jusqu'à ce que la tension d'alimentation soit correcte.
			Vérifiez la tension d'alimentation.
OLF	Surcharge du moteur.	Le courant circulant dans le moteur est trop élevé.	Réduisez la charge de travail.
nSt	Affectation d'une butée de débrayage.	La poignée d'entraînement est enfoncée sur l'IHM pendant le démarrage.	Relâchez les poignées d'entraînement pendant le démarrage.
□PF2	Perte de phase du moteur 3.	Le moteur est déconnecté ou sa puissance est trop faible.	Assurez-vous que le moteur est connecté.
SCF1	Court-circuit du moteur.	Court-circuit dans les câbles du moteur.	Vérifiez les raccords d'alimentation électrique dans le circuit principal.
SCF3	Court-circuit du moteur.	Court-circuit dans les câbles du moteur.	Vérifiez les raccords du moteur et son isolation.
SCF5	Court-circuit du moteur.	Court-circuit dans les câbles du moteur.	Vérifiez les raccords du moteur et son isolation.
tJF	Le convertisseur est trop chaud.	La température ambiante est trop élevée.	Vérifiez le ventilateur de refroidissement.
		La charge de travail est trop élevée.	Réduisez la charge de travail.

Code d'erreur	Nom	Cause	Action
□HF	Le moteur est trop chaud.	La température ambiante est trop élevée.	Vérifiez le ventilateur de refroidissement.
		La charge de travail est trop élevée.	Réduisez la charge de travail.

## Transport, entreposage et mise au rebut

### Transport



**AVERTISSEMENT:** soyez prudent lors du transport. Le produit est lourd et peut provoquer des blessures ou être endommagé en cas de chute ou de déplacement lors du transport.



**AVERTISSEMENT:** Retirez l'outil ou fixez le carter de lame avant de transporter le produit. utilisez des gants de protection. Les lames sont très coupantes.

Les roues vous permettent de déplacer manuellement le produit sur de courtes distances. Reportez-vous à *Pour transporter le produit sur les roues BS 75 à la page 79* et *Pour transporter le produit sur les roues BS 110 à la page 79*.

Pour de longues distances, soulevez le produit pour le déplacer ou le placer sur un véhicule. Reportez-vous à *Levage du produit à la page 81* et *Fixation du produit pour le transport à la page 81*.

- Soyez prudent lorsque vous déplacez le produit manuellement ou sur des surfaces en pente. Des pentes légères peuvent causer un déplacement important, qu'il est impossible d'arrêter à la main.
- Placez une protection sur le produit pendant le transport. La protection permet que le produit n'entre pas en contact avec des éléments naturels, comme la pluie et la neige.

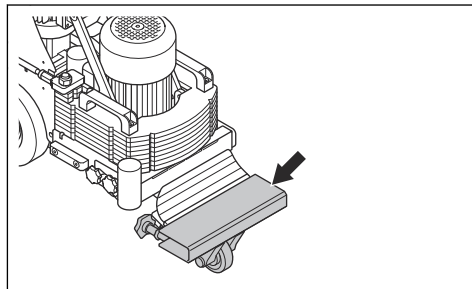
### Pour transporter le produit sur les roues BS 75



**AVERTISSEMENT:** utilisez des gants de protection. Les lames sont très coupantes.

1. Débranchez l'alimentation électrique.

2. Fixez le carter de lame.



3. Désengagez les roues motrices. Reportez-vous à *Pour engager et désengager les roues motrices à la page 80*.
4. Poussez lentement le produit.

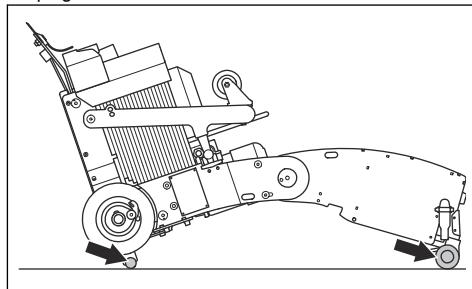
### Pour transporter le produit sur les roues BS 110

1. Débranchez l'alimentation électrique.
2. Assurez-vous que l'outil est retiré du porte-outil.

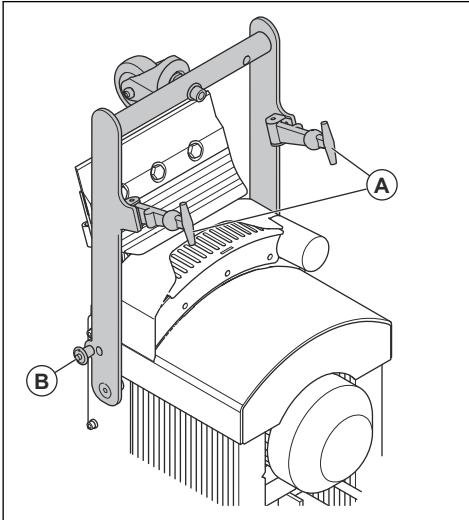


**AVERTISSEMENT:** utilisez des gants de protection. Les lames sont très coupantes.

3. Inclinez le produit jusqu'à ce que la béquille et la poignée soient au sol.



- Desserrez les 2 colliers en caoutchouc (A) et déplacez la roue de transport vers l'avant.

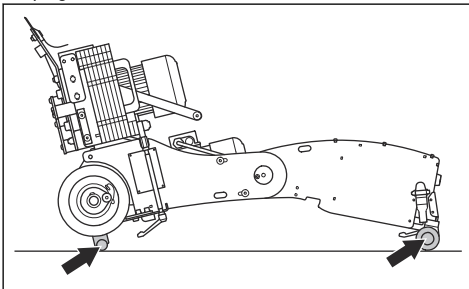


- Installez les goupilles de blocage (B) de la roue de transport sur les côtés droit et gauche.
- Désengagez les roues motrices. Reportez-vous à *Pour engager et désengager les roues motrices à la page 80.*
- Soulevez le produit par la poignée jusqu'à ce que les 3 roues soient au sol.
- Poussez lentement le produit.

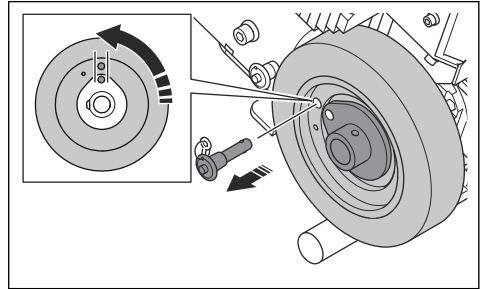
## Pour engager et désengager les roues motrices

Les roues motrices sont engagées lorsque la goupille de blocage se trouve dans le trou intérieur et désengagées lorsque la goupille de blocage se trouve dans le trou extérieur.

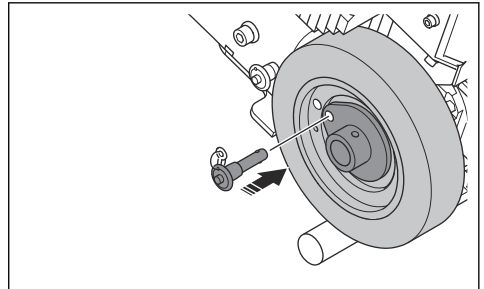
- Inclinez le produit jusqu'à ce que la béquille et la poignée soient au sol.



- Tournez les roues jusqu'à ce que les 2 trous soient alignés et sortez la goupille de blocage.



- Placez la goupille de blocage dans le trou intérieur pour engager les roues motrices.



- Pour désengager les roues motrices, placez la goupille de blocage dans le trou extérieur.

## Montée et descente du produit avec une rampe



**AVERTISSEMENT:** soyez très prudent lorsque vous faites monter et descendre le produit sur les rampes alors que le moteur est en marche. Le produit est lourd et il y a un risque de blessure si le produit tombe ou se déplace trop rapidement.



**AVERTISSEMENT:** Pour les rampes à pente raide, utilisez toujours un treuil. Ne restez pas sous le produit ni à proximité.



**AVERTISSEMENT:** ne déplacez pas le produit dans des pentes raides. Reportez-vous à la plaque signalétique du produit pour plus d'informations sur l'angle de pente maximal.

- Pour faire descendre le produit sur une rampe, déplacez-le lentement vers l'arrière.



- Pour faire monter le produit sur une rampe, déplacez-le lentement vers l'avant.
- Ne faites pas pivoter le produit à plus de 45° sur une rampe.

## Levage du produit



**AVERTISSEMENT:** Assurez-vous que l'équipement de levage présente la bonne spécification afin de soulever le produit en toute sécurité. La plaque signalétique du produit indique le poids du produit.



**AVERTISSEMENT:** ne marchez pas sur un produit soulevé et ne restez en dessous ou à proximité. Éloignez les personnes présentes de la zone à risque.

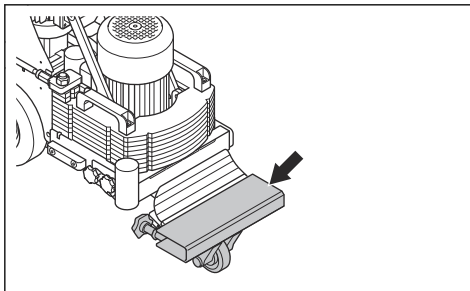


**AVERTISSEMENT:** Ne soulevez pas un produit endommagé. Assurez-vous que le point de levage est bien installé et exempt de dommage.



**AVERTISSEMENT:** Ne soulevez pas le produit par la poignée, le moteur ou le châssis.

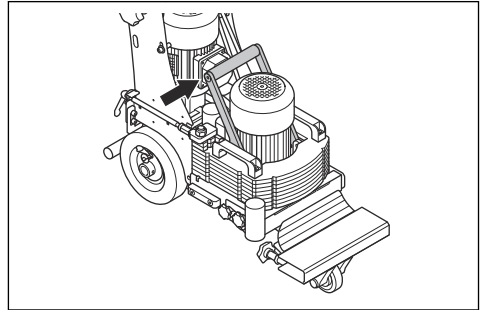
1. Retirez l'outil ou fixez le couvercle de protection des lames.



**AVERTISSEMENT:** utilisez des gants de protection. Les lames sont très coupantes.

2. Assurez-vous que les roues motrices sont engagées. Reportez-vous à *Pour engager et désengager les roues motrices à la page 80.*

3. Fixez l'équipement de levage au niveau du point de levage.



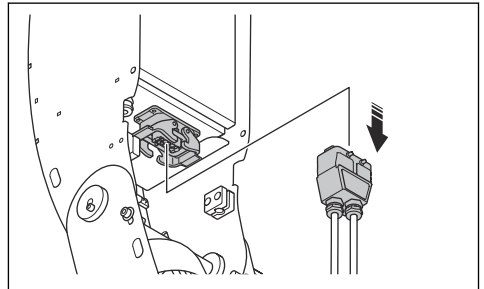
4. Soulevez lentement le produit.

## Fixation du produit pour le transport

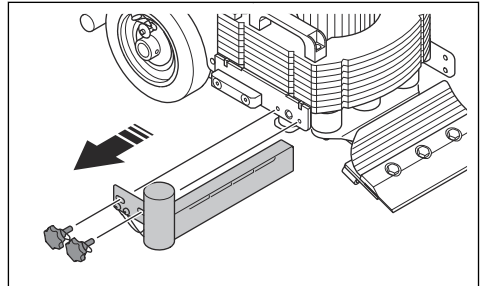
1. Assurez-vous que les roues motrices sont engagées. Reportez-vous à *Pour engager et désengager les roues motrices à la page 80.*
2. Fixez les sangles d'arrimage au point de levage.
3. Fixez les sangles d'arrimage sur le véhicule de transport et serrez-les.
4. Assurez-vous que le produit ne peut pas bouger.

## Pour démonter et monter le produit BS 75

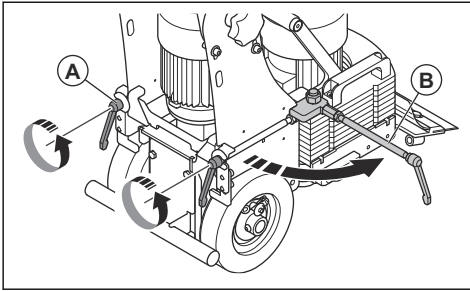
1. Débranchez l'alimentation électrique.



2. Retirez l'unité avec le raccord de l'aspirateur industriel.

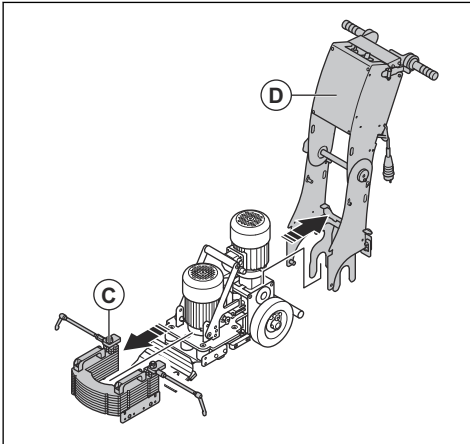


3. Desserrez les 2 boutons (A).



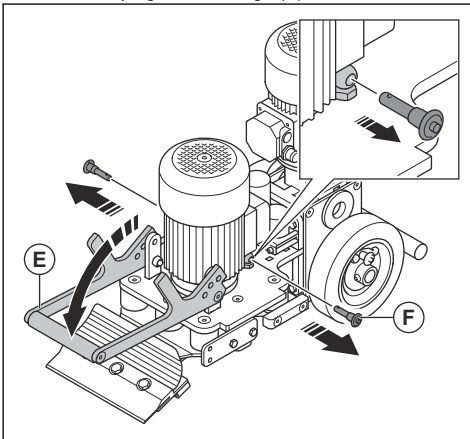
4. Tournez les 2 leviers vers l'avant (B).

5. Déplacez le poids (C) vers l'avant.



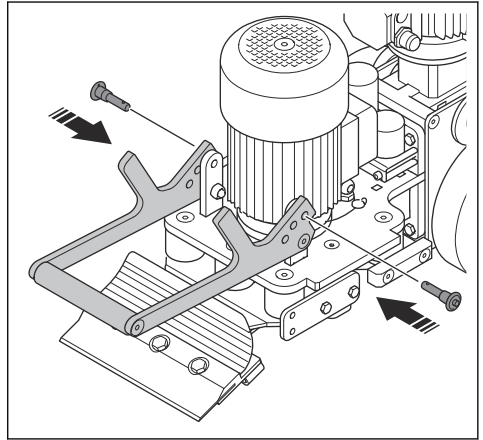
6. Soulevez l'unité de poignée (D).

7. Inclinez la poignée de levage (E) vers l'avant.



8. Retirez les 2 goupilles de blocage (F).

9. Bloquez la poignée de levage en position avant à l'aide des goupilles de blocage.



10. Le montage s'effectue dans l'ordre inverse.

## Stockage du produit

- Le produit doit être remis à l'intérieur uniquement.
- Conservez le produit dans un endroit verrouillé afin que des enfants ou personnes qui ne sont pas autorisées à l'utiliser ne puissent pas y avoir accès.
- Conservez le produit dans un endroit sec et à l'abri du gel.

## Mise au rebut du produit

- Respectez les consignes locales de recyclage et la réglementation en vigueur.
- Lorsque vous n'utilisez plus le produit, renvoyez-le au concessionnaire Husqvarna ou mettez-le au rebut dans une déchetterie.

## Caractéristiques techniques

	BS 75	BS 110
Puissance du moteur d'entraînement, kW	0,75	0,75
Puissance du moteur de vibration, kW	0,75	0,75
Vitesse en marche avant, m/min	2,5-18,5	2,5-18,5
Vitesse en marche arrière, m/min	2,5-18,5	2,5-18,5
Tension nominale, V	200-240	200-240
Fréquence, Hz	50-60	50-60
Poids, kg	129	170
Poids supplémentaire, kg	10	–
Température de fonctionnement, °C	-10-40	-10-40
Humidité relative max., %	95	95
Niveau de puissance acoustique mesuré $L_{WA}$ dB(A) <sup>7</sup>	70	75
Niveau de vibrations, $A_h$ en $m/s^{28}$	4,0	4,6

### Déclaration relative au bruit et aux vibrations

Ces valeurs déclarées ont été obtenues grâce à des essais types effectués en laboratoire conformément à la directive ou aux normes mentionnées. Elles conviennent à l'établissement d'une comparaison avec les valeurs déclarées d'autres produits testés conformément aux mêmes normes ou à la même directive. Ces valeurs

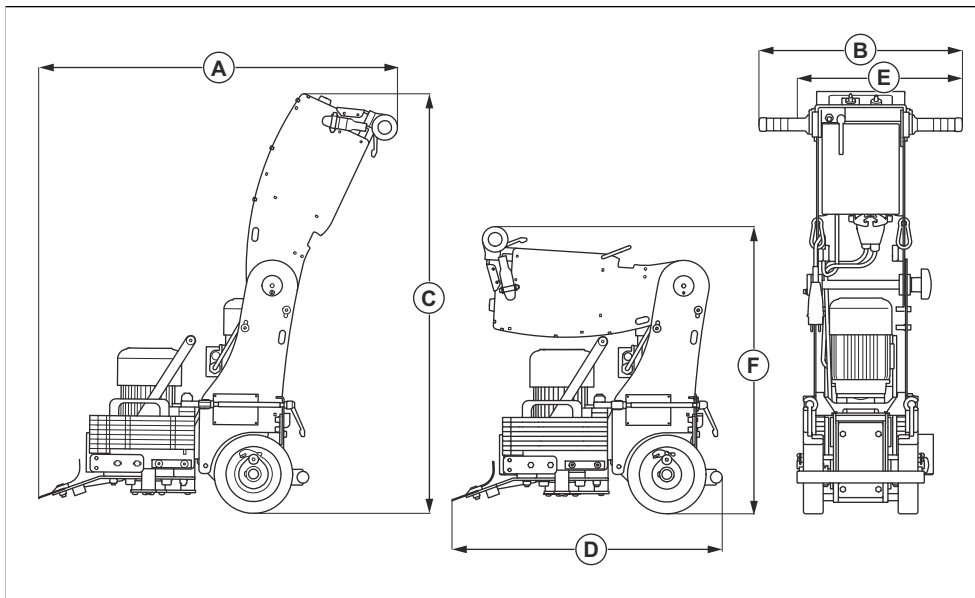
ne sont pas adaptées à une utilisation à des fins d'évaluations des risques ; les valeurs mesurées dans différents lieux de travail peuvent être plus élevées.

Les valeurs d'exposition réelles et les risques de blessures rencontrés par chaque utilisateur sont uniques et dépendent de la manière dont l'utilisateur travaille, dans quel matériau le produit est utilisé, mais aussi de la durée d'exposition, de la condition physique de l'utilisateur et de l'état du produit.

<sup>7</sup> Émissions sonores dans l'environnement, mesurées en tant que puissance acoustique ( $L_{WA}$ ) selon la norme EN-ISO 11202:2010 et EN-ISO 3437:2010. Incertitude kWA 2,5 dB.

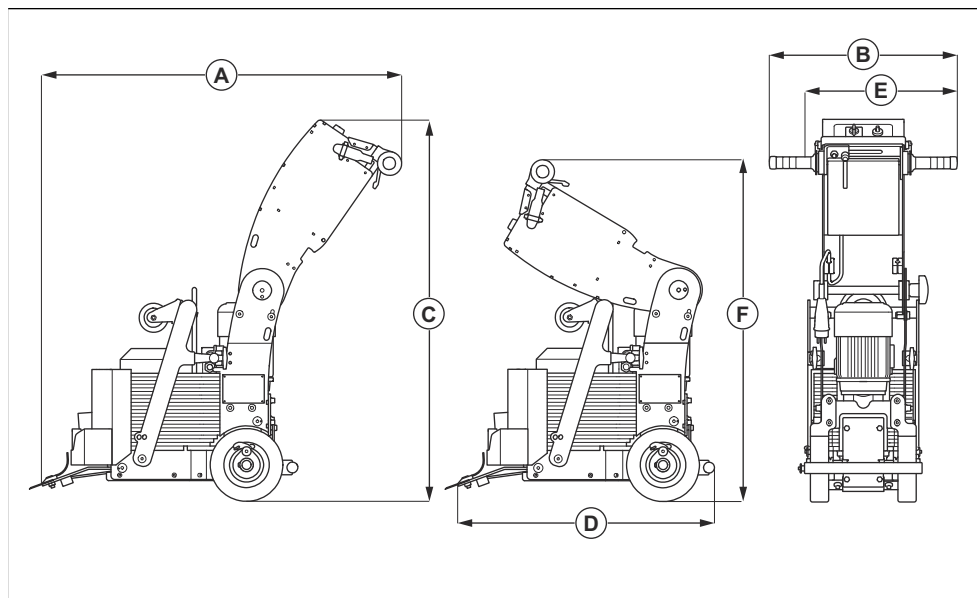
<sup>8</sup> Niveau de vibrations conformément à la norme EN ISO 20643:2008. Les données reportées pour le niveau de vibrations montrent une dispersion statistique typique (déviation standard) de 1  $m/s^2$ .

## Dimensions du produit BS 75



<b>A</b>	Longueur, mm	872
<b>B</b>	Largeur maximale, mm	515
<b>C</b>	Hauteur, mm	1069
<b>D</b>	Longueur avec poignée repliée, mm	654
<b>E</b>	Largeur minimale, mm	419
<b>F</b>	Hauteur avec la poignée repliée, mm	741

## Dimensions du produit BS 110



<b>A</b>	Longueur, mm	956
<b>B</b>	Largeur maximale, mm	515
<b>C</b>	Hauteur, mm	1069
<b>D</b>	Longueur avec poignée repliée, mm	738
<b>E</b>	Largeur minimale, mm	419
<b>F</b>	Hauteur avec la poignée repliée, mm	944

## Rallonges<sup>9</sup>

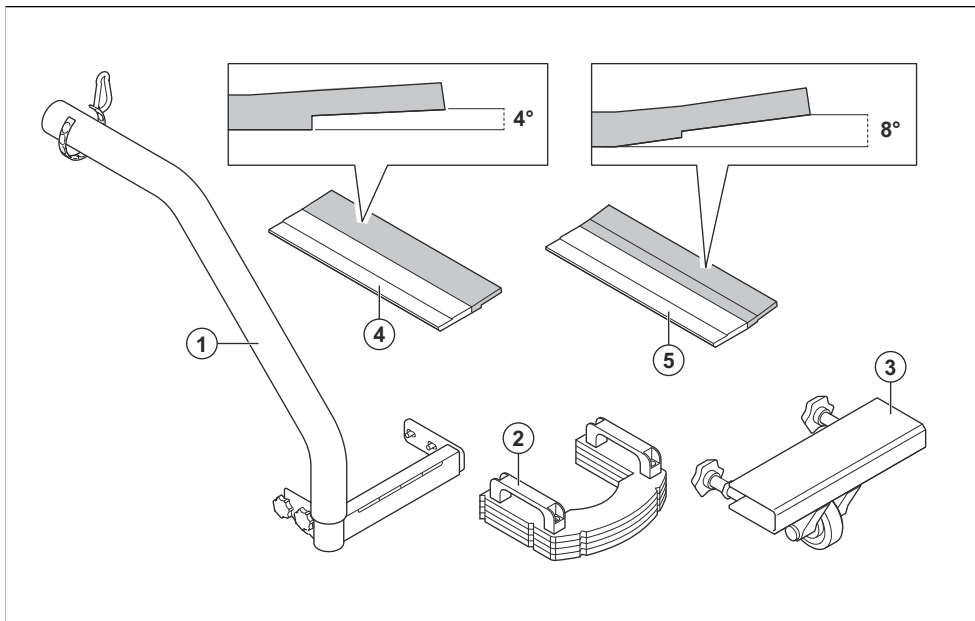
Longueur du câble	Section transversale			
	≤ 16 A	≤ 32 A	≤ 63 A	≤ 125 A
Calculé au niveau d'un pré-fusible GG <sup>9</sup> :	16 A	32 A	63 A	125 A
> 20 m	1,5 mm <sup>2</sup>	2,5 mm <sup>2</sup>	10 mm <sup>2</sup>	25 mm <sup>2</sup>
20 m > 50 m	2,5 mm <sup>2</sup>	4 mm <sup>2</sup>	10 mm <sup>2</sup>	25 mm <sup>2</sup>

<sup>9</sup> Les sections transversales doivent être recalculées lorsque des pré-fusibles de type ou de dimension différents sont utilisés.

Longueur du câble	Section transversale			
	≤ 16 A	≤ 32 A	≤ 63 A	≤ 125 A
50 m > 75 m	4 mm <sup>2</sup>	6 mm <sup>2</sup>	16 mm <sup>2</sup>	35 mm <sup>2</sup>

## Accessoires

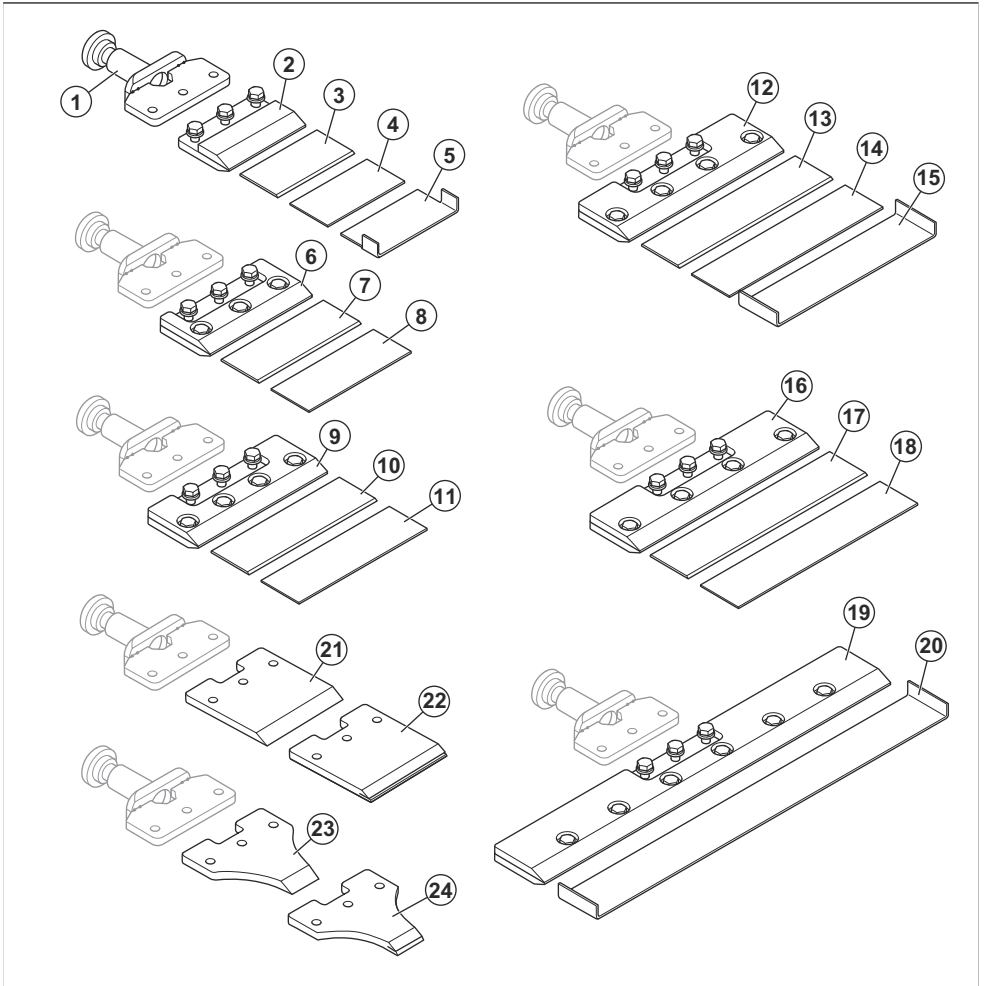
### Accessoires BS 75



1	Tuyau d'aspiration
2	Poids
3	Carter de lame.
4	Poignée de réglage de l'angle 4°
5	Poignée de réglage de l'angle 8°

# Lames

Toutes les lames ne sont pas adaptées à tous les produits. Adressez-vous à un agent d'entretien Husqvarna agréé.



Position	Type	Dimensions (mm)
1	Support pour burin ou porte-lame	-
2	Porte-lame	152
3	Lame extra-robuste	152x76x2,5
4	Lame premium	152x76x1,5

<b>Position</b>	<b>Type</b>	<b>Dimensions (mm)</b>
5	Lame en U	152x76x1,5
6	Porte-lame	203
7	Lame extra-robuste	203x76x2,5
8	Lame premium	203x76x1,5
9	Porte-lame	254
10	Lame extra-robuste	254x76x2,5
11	Lame premium	254x76x1,5
12	Porte-lame	305
13	Lame extra-robuste	305x76x2,5
14	Lame premium	305x76x1,5
15	Lame en U	305x76x1,5
16	Porte-lame	355
17	Lame extra-robuste	355x76x2,5
18	Lame premium	355x76x1,6
19	Porte-lame	685
20	Lame en U	686x76x1,5
21	Burin premium	152x12
22	Burin extra-robuste	152x12
23	Burin premium	51x12
24	Burin extra-robuste	51x12



---

## Déclaration de conformité

---

### Déclaration de conformité UE

Nous, Husqvarna AB, SE-561 82 Huskvarna, Suède,  
tél : +46- 36-146500, déclarons sous notre entière  
responsabilité que le produit :

Description	Décolleuse
Marque	Husqvarna
Type/Modèle	BS-75, BS-110
Identification	Numéros de série à partir de 2022 et ultérieurs

est entièrement conforme à la réglementation et aux  
directives de l'UE suivantes :

Directive/Réglementation	Description
2006/42/EC	« relative aux machines »
2014/30/UE	« relative à la compatibilité électromagnétique »

et que les normes et/ou les spécifications techniques  
suivantes sont appliquées :

EN ISO 12100:2010, EN 60204-1:2006

Partille, 2022-01-24



Martin Huber

Directeur R&D, surfaces et sols en béton

Husqvarna AB, division Construction

Responsable de la documentation technique



## Inhoud

Inleiding.....	90	Vervoer, opslag en verwerking.....	108
Veiligheid.....	93	Technische gegevens.....	112
Werking.....	97	Accessoires.....	115
Onderhoud.....	103	Verklaring van overeenstemming.....	118
Probleemoplossing.....	107		

## Inleiding

### Productbeschrijving

Het product is een duwstripper voor oppervlakken van verschillende hardheid.

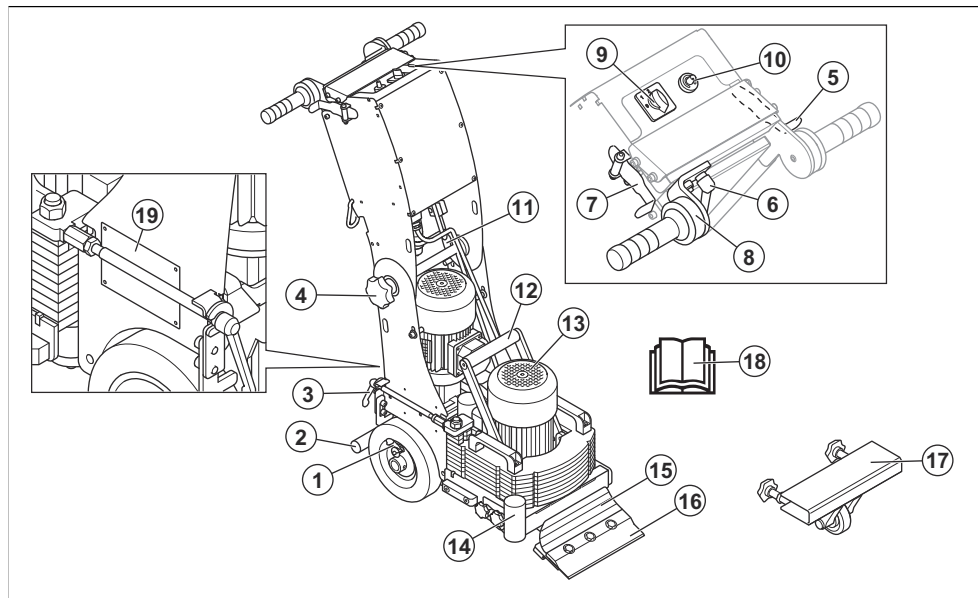
### Gebruik

Het product wordt gebruikt om oppervlaktematerialen met verschillende hardheid te verwijderen van

betonvloeren, houten vloeren en zachte ondervloeren. Gebruik dit product om hardhout, keramiek, linoleum, vinyl, tapijt, kleefmiddelen en lijm te verwijderen. Gebruik het product niet voor andere taken.

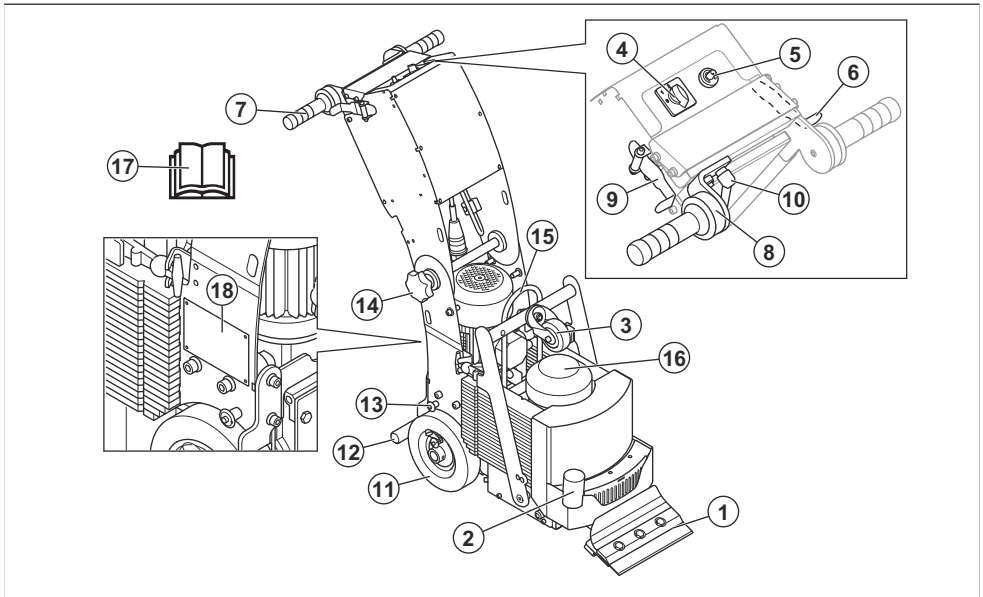
Het product wordt voor industriële toepassingen gebruikt door professionele gebruikers.

### Productoverzicht BS 75



- |   |                                 |
|---|---------------------------------|
| 1. Aandrijfwiel met borgpen                           | 10. Toerentalregeling           |
| 2. Steun  | 11. Voedingsconnector           |
| 3. Hendel, gebruikt om product te demonteren          | 12. Tilhandvat                  |
| 4. Knop voor de handgreepverstelling                  | 13. Trillingsmotor              |
| 5. Hendel voor vooruitrijden                          | 14. Aansluiting voor stofzuiger |
| 6. Klemhendel voor verstelbare handgreep              | 15. Gereedschapshouder          |
| 7. Hendel voor achteruitrijden                        | 16. Mes                         |
| 8. Verstelbare handgreep                              | 17. Beschermkap                 |
| 9. Start/stop-schakelaar en functieselectieschakelaar | 18. Bedieningshandleiding       |

## Productoverzicht BS 110



1. Gereedschapshouder en blad
2. Aansluiting voor stofzuiger
3. Transportwiel
4. Start/stop-schakelaar en functieselectieschakelaar
5. Toerentalregeling
6. Hendel voor vooruitrijden
7. Schokdempende handgreep
8. Verstelbare handgreep
9. Hendel voor achteruitrijden
10. Klemhendel voor verstelbare handgreep
11. Aandrijf wiel met borgpen
12. Steun
13. Borgpen voor het transportwiel
14. Knop voor de handgreepverstelling
15. Hijssoog
16. Trillingsmotor
17. Bedieningshandleiding
18. Typeplaatje



Hoogspanning.



Hijspunt op het product.



Lees de handleiding goed door en zorg dat u de instructies hebt begrepen voordat u het product gebruikt.



Gebruik goedgekeurde ademhalingsbescherming.



Gebruik goedgekeurde gehoorbescherming.



Gebruik goedgekeurde oogbescherming.

### Symbolen op het product



**WAARSCHUWING:** Dit product kan gevaarlijk zijn en ernstig of fataal letsel toebrengen aan de gebruiker of anderen. Wees voorzichtig en gebruik het product op de juiste manier.



Draag goedgekeurde veiligheidshandschoenen.



Draag goedgekeurde veiligheidslaarzen



Stop.



Achteruit rijden.



Vooruit rijden.



Snel.



Langzaam.



Aandrijfwielen ingeschakeld.

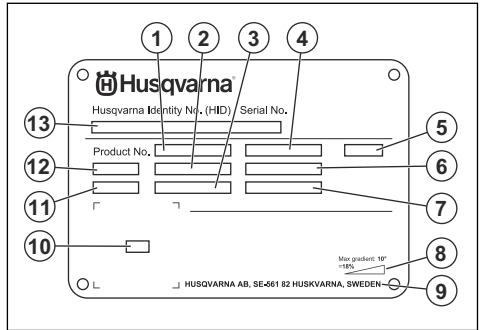


Gereedschap ingeschakeld.



Dit product voldoet aan de geldende EU-richtlijnen.

## Typeplaatje



1. Productnummer
2. Gewicht van het product
3. Nominaal vermogen
4. Nominale spanning
5. Behuizing
6. Nominale stroom
7. Frequentie
8. Maximale hellingshoek
9. Fabrikant
10. Scanbare code
11. Bouwjaar
12. Model
13. Serienummer

## Productaansprakelijkheid

Zoals uiteengezet in de wet voor productaansprakelijkheid zijn wij niet aansprakelijk voor schade die door ons product wordt veroorzaakt, indien:

- het product niet goed is gerepareerd.
- het product is gerepareerd met onderdelen die niet van de fabrikant afkomstig zijn, of onderdelen die niet zijn goedgekeurd door de fabrikant.
- het product een accessoire bevat dat niet afkomstig is van de fabrikant of niet is goedgekeurd door de fabrikant.
- het product niet is gerepareerd door een erkend servicepunt of door een erkende autoriteit.

**Let op:** Overige op het product aangebrachte symbolen/plaatjes verwijzen naar specifieke eisen aan certificering voor bepaalde markten.

---

# Veiligheid

---

## Veiligheidsdefinities

Waarschuwingen, voorzorgsmaatregelen en opmerkingen worden gebruikt om te wijzen op belangrijke delen van de handleiding.



**WAARSCHUWING:** Wordt gebruikt om te wijzen op de kans op ernstig of fataal letsel voor de gebruiker of omstanders wanneer de instructies in de handleiding niet worden gevolgd.



**OPGELET:** Wordt gebruikt indien er een risico bestaat op schade aan het product en andere eigendommen of aan de omgeving wanneer de instructies in de handleiding niet worden gevolgd.

**Let op:** Geven verdere informatie die nodig is in een bepaalde situatie.

## Algemene veiligheidsinstructies



**WAARSCHUWING:** Lees de volgende waarschuwingen voordat u het product gaat gebruiken.

- Dit product kan bij onvoorzichtig of onjuist gebruik een gevaarlijk gereedschap zijn. Dit product kan ernstig of fataal letsel toebrengen aan de gebruiker of anderen. Het is erg belangrijk dat u deze gebruiksaanwijzing leest en begrijpt voordat u dit product gaat gebruiken.
- Bewaar alle waarschuwingen en instructies.
- U dient alle toepasselijke wet- en regelgeving in acht te nemen.
- De gebruiker en de werkgever van de gebruiker dienen op te hoogte te zijn van de risico's tijdens het gebruik van het product en moeten deze voorkomen.
- Zorg ervoor dat dit product alleen wordt gebruikt door personen die de inhoud van de gebruikershandleiding hebben gelezen en begrepen.
- Gebruik het product alleen als u voorafgaand aan gebruik training hebt ontvangen. Zorg ervoor dat alle gebruikers getraind worden.
- Laat het product niet door een kind bedienen.
- Het product mag alleen worden gebruikt door goedgekeurde personen.
- De gebruiker is verantwoordelijk indien ongelukken gebeuren met andere mensen of hun eigendommen.
- Gebruik het product nooit als u moe of ziek bent, of onder invloed van alcohol, drugs of medicijnen verkeert.

- Wees altijd voorzichtig en gebruik uw gezond verstand.
- Dit product produceert tijdens bedrijf een elektromagnetisch veld. Dit veld kan onder bepaalde omstandigheden de werking van actieve of passieve medische implantaten verstoren. Om het risico op ernstig of fataal letsel te verminderen, raden we personen met een medisch implantaat aan om contact op te nemen met hun arts en de fabrikant van het medische implantaat voordat ze dit product gebruiken.
- Houd het product schoon. Zorg ervoor dat u de aanduidingen en stickers duidelijk kunt lezen.
- Gebruik het product niet als het defect is.
- Breng geen wijzigingen aan dit product aan.
- Gebruik het product niet als de mogelijkheid bestaat dat andere personen wijzigingen aan het product hebben aangebracht.

## Veiligheidsinstructies voor bediening



**WAARSCHUWING:** Lees de volgende waarschuwingen voordat u het product gaat gebruiken.

- Maak altijd gebruik van persoonlijke beschermingsmiddelen. Zie *Persoonlijke beschermingsuitrusting op pagina 95*.
- Overmatige blootstelling aan trillingen kan bloedvaten zenuwbeschadigingen veroorzaken bij personen met een verminderde bloedcirculatie. Consulteer een arts wanneer u symptomen heeft die wijzen op te grote blootstelling aan trillingen. Dergelijke symptomen zijn slapende vingers e.d., geen gevoel, 'kriebelend' gevoel, 'speldenprikken', pijn, geen of weinig kracht, huidverkleuringen of veranderingen van het huidoppervlak. Deze symptomen worden meestal waargenomen in de vingers, handen of polsen.
- Gebruik het product niet zonder dat alle beschermkappen zijn gemonteerd.
- Zorg ervoor dat u weet hoe u de motor in een noodsituatie snel kunt stoppen.
- Voordat u het product achterlaat, moet u de motor stopzetten en de voedingskabel afkoppelen. Zorg ervoor dat er geen risico op onbedoeld starten bestaat.
- Zorg ervoor dat er geen kleding, lang haar en sieraden vast komen te zitten in bewegende delen
- Zorg ervoor dat u stabiel en veilig staat tijdens het gebruik.
- Gebruik het product alleen op horizontale oppervlakken.
- Gebruik het product alleen als u weet dat u hulp kunt krijgen indien zich een ongeval voordoet

- Gebruik altijd goedgekeurde accessoires. Neem voor meer informatie contact op met uw Husqvarna-dealer.
- Als er trillingen optreden in het product of als het geluidsniveau van het product ongewoon hoog is, dient u het product onmiddellijk te stoppen. Controleer het product op schade. Repareer schade of laat een erkende servicewerkplaats de reparatie uitvoeren.
- Ga niet op het product staan.
- Zorg ervoor dat er geen blokkering in de luchtstroom van de trillingsmotor is.
- Sluit het product aan op een stofzuiger om het stof te verwijderen.
- Trek niet aan de slang van de stofzuiger. Het product kan vallen en letsel of schade veroorzaken.
- Houd de stofzuiger ingeschakeld tot de motor volledig stopt.
- Bedien het product alleen van achteren, met uw handen op de handgreep.
- Zorg ervoor dat er geen vet of olie op de handgrepen zit.
- Houd tijdens bedrijf de twee wielen altijd op de grond.
- Voer onderhoud uit aan en bedien het product zoals vermeld in de gebruikershandleiding, om een correct trillingsniveau te handhaven.
- Het product heeft een trillingsdempingsstelsel dat de trillingen van de handgrepen naar de gebruiker vermindert. Laat het product het werk doen. Duw het product niet met kracht vooruit. Houd het product lichtjes vast aan de handgrepen, maar zorg ervoor dat u het product onder controle hebt en het veilig bedient. Duw de handgrepen niet verder dan nodig tegen de eindaanslagen.
- Houd uw handen alleen op het handvat of de handgrepen. Houd alle andere lichaamsdelen uit de buurt van het product.
- Stop het product onmiddellijk als er plotseling sterke trillingen optreden. Ga niet verder met het gebruik tot de oorzaak van de toegenomen trillingen is weggenomen.

## Bescherming tegen stof



**WAARSCHUWING:** Lees de volgende waarschuwingen voordat u het product gaat gebruiken.

- Gebruik van het product kan stof in de lucht veroorzaken. Stof kan ernstig letsel en permanente gezondheidsproblemen veroorzaken. Silicastof wordt door verschillende instanties als schadelijk beschouwd. Hieronder volgen enkele voorbeelden van dergelijke gezondheidsproblemen:
  - De fatale longaandoeningen chronische bronchitis, silicose en longfibrose
  - Kanker
  - Geboortefwijkingen
  - Huidontsteking
- Gebruik de juiste apparatuur om de hoeveelheid stof en dampen in de lucht te verminderen en om stof op werkuitrusting, oppervlakken, kleding en lichaamsdelen te verminderen. Voorbeelden van beschermende elementen zijn stofvangsystemen en watersprays om het stof te binden. Verminder waar mogelijk stof bij de bron. Zorg ervoor dat de apparatuur correct wordt geïnstalleerd en gebruikt en dat er regelmatig onderhoud wordt uitgevoerd.
- Gebruik goedgekeurde ademhalingsbescherming. Zorg ervoor dat adembescherming wordt gebruikt bij gevaarlijke materialen in het werkgebied.
- Zorg ervoor dat er toereikende ventilatie in het werkgebied is.

## Geluidsveiligheid



**WAARSCHUWING:** Lees de volgende waarschuwingen voordat u het product gaat gebruiken.

- Hoge geluidsniveaus en langdurige blootstelling aan lawaai kunnen gehoorverlies veroorzaken.

## Trillingsveiligheid



**WAARSCHUWING:** Lees de volgende waarschuwingen voordat u het product gaat gebruiken.

- Tijdens het gebruik van het product gaan trillingen van het product naar de gebruiker. Regelmatig en frequent gebruik van het product kan letsel bij de gebruiker veroorzaken of verergeren. Letsel kan optreden in vingers, handen, polsen, armen, schouders en/of zenuwen en bloedtoevoer of andere lichaamsdelen. Het letsel kan slepend en/of blijvend zijn, en het kan geleidelijk toenemen in de loop van weken, maanden of jaren. Het letsel kan bestaan uit schade aan het bloedcirculatiesysteem, het zenuwstelsel, de gewrichten en andere lichaamsstructuren.
- Symptomen kunnen zich voordoen tijdens het gebruik van het product of op andere momenten. Als u symptomen hebt en het product blijft gebruiken, kunnen de symptomen toenemen of permanent worden. Als deze of andere symptomen zich voordoen, neem dan medische hulp:
  - Verstijving, gevoelloosheid, tintelingen, prikken, pijn, een brandend gevoel, kloppen, stijfheid, onhandigheid, krachtverlies, veranderingen in huidskleur of conditie.
- Symptomen kunnen toenemen bij lage temperaturen. Gebruik warme kleding en houd uw handen warm en droog wanneer u het product in koude omgevingen gebruikt.

- Om het geluidsniveau tot een minimum te beperken, moet u het product onderhouden en bedienen zoals beschreven in de gebruikershandleiding.
- Gebruik goedgekeurde gehoorbescherming wanneer u het product gebruikt.
- Let op alarmsignalen en luide stemmen wanneer u gehoorbescherming gebruikt. Verwijder de gehoorbescherming wanneer het product is gestopt, tenzij gehoorbescherming nodig is voor het geluidsniveau in de werkomgeving.
- Zorg dat het werkgebied schoon en voldoende verlicht is.
- Verwijder objecten zoals schroeven, bouten, draden en stenen uit het werkgebied voordat u het product gaat gebruiken.
- Zorg ervoor dat er geen kabels of slangen in de werking van het product zijn.
- Zorg ervoor dat er een voldoende luchtstroom op de werkplek is.

## Persoonlijke beschermingsuitrusting



**WAARSCHUWING:** Lees de volgende waarschuwingen voordat u het product gaat gebruiken.

- Draag tijdens het gebruik van het product altijd goedgekeurde persoonlijke beschermingsuitrusting. Persoonlijke beschermingsuitrusting kunnen niet alle risico's uitsluiten maar kunnen de ernst van eventueel letsel helpen beperken. Vraag uw dealer u te helpen bij het kiezen van de juiste beschermingsuitrusting.
- Controleer regelmatig de toestand van uw persoonlijke beschermingsmiddelen.
- Draag een goedgekeurde veiligheidshelm.
- Gebruik goedgekeurde gehoorbescherming.
- Gebruik goedgekeurde ademhalingsbescherming.
- Gebruik goedgekeurde oogbescherming met zijbescherming.
- Draag veiligheidshandschoenen.
- Gebruik laarzen met stalen neus en antislipzool.
- Gebruik goedgekeurde werkkleding of gelijkwaardige nauwsluitende kleding met lange mouwen en lange broekspijpen.

## Brandblusser

- Zorg dat er een brandblusser in de buurt is tijdens het gebruik van dit product.
- Gebruik een poederblusser of een kooldioxidebrandblusser.

## Veiligheid van het werkgebied



**WAARSCHUWING:** Lees de volgende waarschuwingen voordat u het product gaat gebruiken.

- Gebruik het product niet bij mist, regen, harde wind, koud weer, risico op blikseminslag of andere slechte weersomstandigheden.
- Gebruik het product niet in gebieden waar brand of explosies kunnen optreden.
- Houd kinderen, omstanders en dieren weg van het werkgebied en op veilige afstand van het product.
- Zorg ervoor dat er alleen goedgekeurde personen in het werkgebied zijn.

## Elektrische veiligheid



**WAARSCHUWING:** Er is altijd kans op schokken van elektrische producten. Gebruik het product niet bij slecht weer. Raak geen bliksemafleiders en metalen voorwerpen aan. Gebruik het product altijd zoals in deze bedieningshandleiding wordt beschreven om letsel te voorkomen.



**WAARSCHUWING:** Gebruik altijd een voeding met aardlekschakelaar. Een aardlekschakelaar vermindert de kans op een elektrische schok.



**WAARSCHUWING:** Hoogspanning. Er bevinden zich onbeschermde onderdelen in de voedingseenheid. Haal altijd de stekker uit het stopcontact voordat u de deur van het regelkastje opent.



**OPGELET:** De voeding van het product of de generator moet krachtig genoeg en constant zijn om de motor probleemloos te kunnen laten werken. Een onjuiste spanning heeft tot gevolg dat het stroomverbruik en de temperatuur van de motor toenemen totdat het veiligheidscircuit wordt geactiveerd. De afmetingen van de voedingskabel moeten overeenstemmen met de nationale en lokale voorschriften. De afmetingen van het stopcontact moeten overeenstemmen met de stroomsterkte voor het stopcontact en de verlengkabel van het product.

Als het elektriciteitsnet een hogere systeemweerstand heeft, kan er kort spanningsverlies optreden wanneer het product wordt gestart. Dit kan invloed hebben op de werking van andere producten en bijvoorbeeld flikkerende lichten veroorzaken.

- Controleer of de spanning van het elektriciteitsnet en de zekering overeenkomt met de spanning die wordt aangegeven op het productplaatje van het product.
- Stop het product altijd voordat u de stekker uit het stopcontact haalt.

- Gebruik het product niet als de voedingskabel of de stekker beschadigd is. Brengt het ter reparatie naar een erkend servicepunt. Een beschadigde voedingskabel kan ernstig letsel en de dood veroorzaken.
- Gebruik de voedingskabel op de juiste manier. Gebruik de voedingskabel niet om het product te verplaatsen, te trekken of los te koppelen. Trek aan de stekker om de voedingskabel los te koppelen. Trek niet aan de voedingskabel.
- Gebruik het product niet in water met een zodanige diepte dat het product nat wordt. De apparatuur kan beschadigd raken en het product kan onder stroom komen te staan en letsel veroorzaken.
- Zorg ervoor dat er geen ander vocht in het product komt dan water dat afkomstig is van het waterleidingnet. Stel het product niet bloot aan regen. Water dat het product binnendringt, verhoogt het risico op elektrische schokken.
- Verwijder de voedingskabel altijd voordat u de verbinding voor de motorkabel en de controlekast aansluit of loskoppelt.
- Gebruik een verlengkabel die geschikt is voor gebruik buitenshuis wanneer u buiten werkt met het product. Dit vermindert de kans op een elektrische schok.
- Houd de aansluiting op de verlengkabel droog en zorg dat deze de grond niet raakt.
- Houd de verlengkabel uit de buurt van hitte, olie, scherpe randen en bewegende delen. Een beschadigde kabel verhoogt het risico op elektrische schokken.
- Controleer of de verlengkabel in goede staat verkeert en niet beschadigd is.
- Gebruik de verlengkabel niet in opgerolde toestand. Daardoor kan de kabel oververhit raken.
- Zorg ervoor dat de verlengkabel achter u en het product ligt wanneer u het product gebruikt. Zo voorkomt u dat de verlengkabel beschadigd raakt.

## Veiligheidsvoorzieningen op het product



**WAARSCHUWING:** Lees de volgende waarschuwingen voordat u het product gaat gebruiken.

### Instructies voor geaard product



**WAARSCHUWING:** Een verkeerde aansluiting kan leiden tot elektrische schokken. Raadpleeg een erkende elektricien als u niet zeker weet of de contactdoos van het elektriciteitsnet correct geaard is.

Breng geen wijzigingen aan de stekker aan ten opzichte van de fabrieksspecificatie. Als de stekker of de voedingskabel beschadigd is of moet worden vervangen, raadpleeg dan uw Husqvarna-servicewerkplaats. Volg de lokale regel- en wetgeving.

Neem contact op met een erkende elektricien als u de instructies over het geaarde product niet volledig begrijpt.

Gebruik alleen geaarde verlengkabels voor buitengebruik met geaarde stekkers en geaarde contactdozen die geschikt zijn voor de stekker van het product.

Het product heeft een geaarde voedingskabel en een geaarde stekker. Sluit het product altijd aan op een geaard stopcontact. Dit vermindert het risico op elektrische schokken in geval van een storing.

Gebruik geen adapters in combinatie met het product.

### Verlengkabels

- Gebruik alleen goedgekeurde verlengkabels met voldoende lengte.
- De markering op de verlengkabel moet gelijk zijn aan of hoger zijn dan de waarde op het productplaatje van het product.
- Gebruik geaarde verlengkabels.

- Gebruik het product nooit wanneer de veiligheidsvoorzieningen defect zijn.
- Controleer de veiligheidsvoorzieningen regelmatig op een juiste werking. Als de veiligheidsvoorzieningen defect zijn, neem dan contact op met uw Husqvarna servicewerkplaats.

### De start/stop- en functieselectieschakelaar controleren

1. Start/stop- en functieselectieschakelaar op "0" zetten.
2. Sluit het product aan op de voeding.
3. Start/stop- en functieselectieschakelaar op "1" zetten. De aandrijfmotor start.
4. Start/stop- en functieselectieschakelaar op "2" zetten. De aandrijfmotor is ingeschakeld en de trillingsmotor start.
5. Start/stop- en functieselectieschakelaar op "0" zetten.
6. Controleer of de aandrijfmotor en de trillingsmotor stoppen.

## Veiligheidsinstructies voor onderhoud



**WAARSCHUWING:** Lees de volgende waarschuwingen voordat u het product gaat gebruiken.

- Maak altijd gebruik van persoonlijke beschermingsmiddelen. Zie *Persoonlijke beschermingsuitrusting op pagina 95*.
- Voer alleen onderhoud uit zoals beschreven in deze bedieningshandleiding. Laat een



goedgekeurde servicewerkplaats alle andere onderhoudswerkzaamheden uitvoeren.

- Als het onderhoud niet correct en regelmatig wordt uitgevoerd, neemt de kans op letsel of schade aan het product toe.
- Maak het product schoon om gevaarlijk materiaal te verwijderen voordat u het onderhoud uitvoert.
- Voordat u het onderhoud uitvoert, moet u de motor stopzetten en de stekker uit het stopcontact halen.
- Zorg ervoor dat u onderhoudswerkzaamheden aan het product uitvoert op een stabiele, horizontale ondergrond.
- Breng geen wijzigingen aan het product aan. Wijzigingen aan het product die niet zijn

goedgekeurd door de fabrikant, kunnen leiden tot ernstig letsel of overlijden.

- Vervang beschadigde, versleten of defecte onderdelen.
- Gebruik altijd originele accessoires en reserveonderdelen. Accessoires en wijzigingen die niet zijn goedgekeurd door de fabrikant, kunnen leiden tot ernstig letsel of overlijden.
- Controleer na onderhoud het trillingsniveau in het product. Als dit niet correct is, neemt u contact op met een erkende servicewerkplaats.
- Laat een erkende servicewerkplaats regelmatig onderhoud aan het product uitvoeren.

## Werking

### Inleiding



**WAARSCHUWING:** Voordat u het product gaat gebruiken, dient u het hoofdstuk over veiligheid te lezen en hebben begrepen.

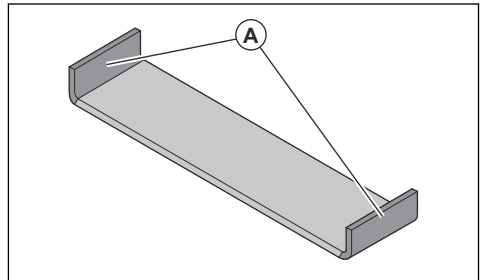
### Voordat u het product gebruikt

1. Lees de gebruikershandleiding zorgvuldig door en zorg dat u de instructies hebt begrepen.
2. Lees de gebruikershandleiding voor de stofzuiger zorgvuldig door en zorg dat u de instructies hebt begrepen.
3. Maak altijd gebruik van persoonlijke beschermingsmiddelen. Zie *Persoonlijke beschermingsuitrusting op pagina 95*.
4. Voer dagelijks onderhoud uit. Zie *Onderhoudsschema op pagina 103*.
5. Controleer of het product goed gemonteerd en niet beschadigd is.
6. Zorg ervoor dat er alleen goedgekeurde personen in het werkgebied zijn.
7. Plaats het product in het werkgebied. Zorg ervoor dat het vervoer van het product naar en in het werkgebied veilig en correct wordt uitgevoerd. Zie *Vervoer, opslag en verwerking op pagina 108*.
8. Sluit een stofzuiger aan op het product. Zie *Stofzuiger aansluiten op pagina 99*.
9. Stel de handgreep af op de gewenste werkstand. Zie *Hoogte van de handgreep afstellen op pagina 98* en *Verstelbare handgreep afstellen op pagina 98*.
10. Zorg ervoor dat de aandrijfwielen zijn ingeschakeld. Zie *In- en uitschakelen van de aandrijfwielen op pagina 109*.
11. Monteer een blad. Zie *De correcte bladafmeting en installatiepositie selecteren op pagina 98*.

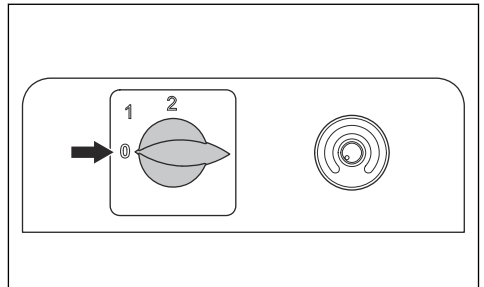


**WAARSCHUWING:** Draag veiligheidshandschoenen. De bladen zijn zeer scherp.

12. Verzeker u ervan dat het blad scherp is. Indien nodig moet het blad worden vervangen of geslepen. Zie *Mes vervangen op pagina 105* en *Het blad slijpen op pagina 105*.
13. Als u een zelfkervend blad gebruikt, moet u ervoor zorgen dat de hoeken aan de uiteinden van het blad (A) scherp zijn.



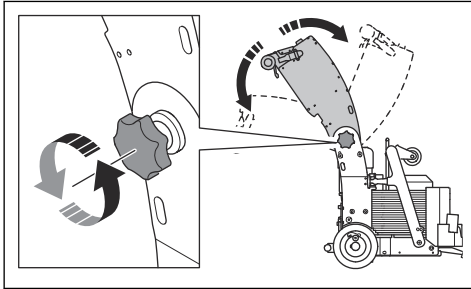
14. Zorg ervoor dat de start/stop- en functieselectieschakelaar in de "0"-stand staan.



15. Sluit het product aan op een voeding. Zie *Het product op een voedingsbron aansluiten op pagina 99*.

## Hoogte van de handgreep afstellen

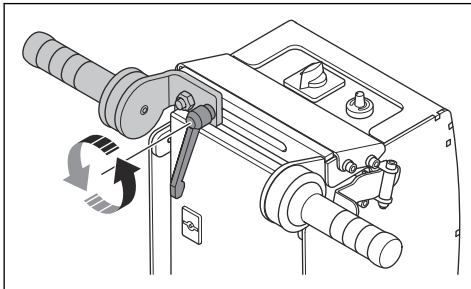
1. Knop voor de handgreepverstelling losmaken.



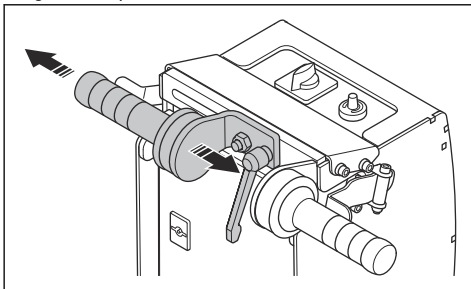
2. Beweeg de handgreep naar de gewenste positie.
3. Draai de knop voor de handgreepverstelling aan.

## Verstelbare handgreep afstellen

1. Maak de klemhendel los.



2. Beweeg de verstelbare handgreep naar de gewenste positie.



3. Trek de klemhendel vast.

## De correcte bladafmeting en installatiepositie selecteren

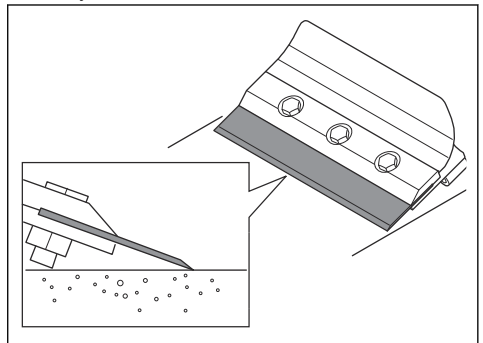


**WAARSCHUWING:** Draag veiligheidshandschoenen. De bladen zijn zeer scherp.

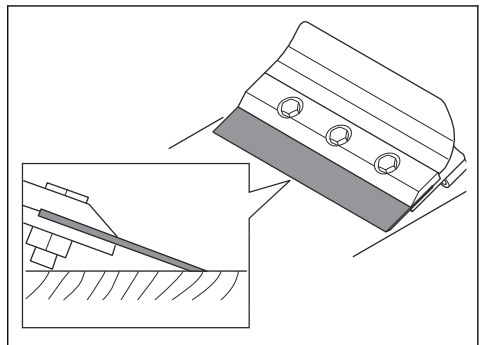
Alle beschikbare type bladen kunnen worden gebruikt voor de goedgekeurde materialen: hardhout, keramiek, linoleum, vinyl, tapijt, kleefmiddelen en lijm. Zie *Messen op pagina 116*.

Het is noodzakelijk om de correcte afmeting en installatie van het blad voor het te verwijderen materiaal en de type ondervloer te selecteren. Bladen met verschillende afmetingen kunnen nodig zijn tijdens hetzelfde bedrijf.

- Selecteer een blad met een kleinere afmeting in deze situaties:
  - a) Bij de start van het bedrijf.
  - b) Bedrijf op materialen met sterk kleefmiddel.
  - c) Bedrijf op harde materialen.
- Selecteer een blad met bredere afmeting in deze situaties:
  - a) Bedrijf op zachte materialen.
- Selecteer een dikker blad voor zwaar gebruik voor harde materialen. Een dikker blad heeft ook een langere levensduur.
- Installeer het blad met de hoek omhoog voor het verwijderen van materialen van betonvloeren.



- Installeer het blad met de hoek omlaag voor het verwijderen van materialen van houten vloeren en zachte ondervloeren.

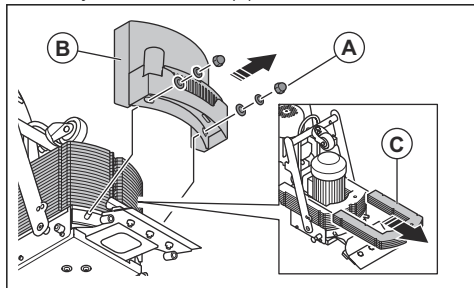


## De gewichten verwijderen en monteren BS 110



**WAARSCHUWING:** De gewichten zijn zwaar.

1. Ontkoppel de voeding.
2. Verwijder de 2 moeren (A).



3. Neem de kap (B) weg.
4. Verwijder de gewichten (C).
5. Monteer in omgekeerde volgorde van verwijderen.

## Stofzuiger aansluiten



**WAARSCHUWING:** Gebruik de stofzuiger niet als de slang ervan beschadigd is. U loopt in dat geval meer risico dat u stof inademt dat schadelijk is voor uw gezondheid. Gebruik goedgekeurde ademhalingsbescherming.

1. Controleer de slang van de stofzuiger op schade.
2. Controleer of de filters in de stofzuiger schoon en onbeschadigd zijn.
3. Sluit de slang van de stofzuiger aan op de aansluiting voor de stofzuiger. Raadpleeg *Productoverzicht BS 75 op pagina 90* voor informatie over de locatie van de aansluiting voor de stofzuiger op uw product.

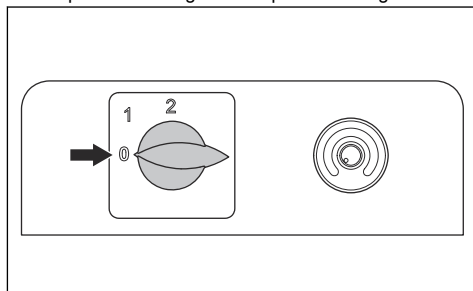
## Het product op een voedingsbron aansluiten

1. Een toepasselijke verlengkabel op de stekker van het product aansluiten.
2. Sluit de verlengkabel aan op een stopcontact.

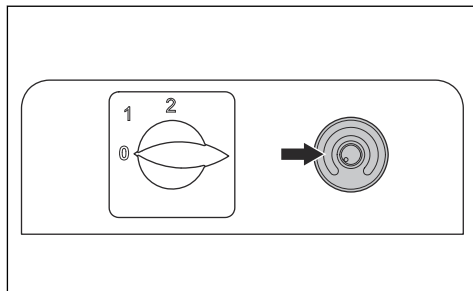
## Product starten

1. Start de stofzuiger.

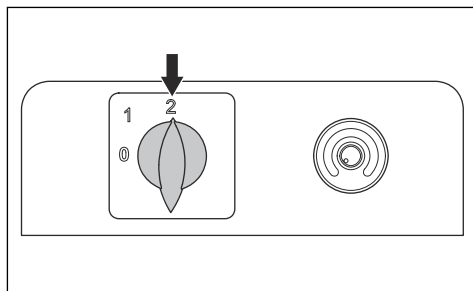
2. Zorg ervoor dat de start/stop- en functieselectieschakelaar in de "0"-stand staat en dat het product is aangesloten op een voedingsbron.



3. Draai de toerentalregeling linksom naar het laagste toerental.



4. Draai de functieselectieschakelaar naar stand "1" of "2".



**Let op:** Op stand "1" wordt de aandrijfmotor gestart. Op stand "2" worden de aandrijfmotor gestart en de trillingsmotor gestart.

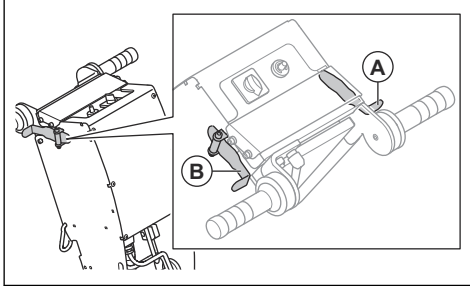
5. Draai de toerentalregeling langzaam rechtsom naar het noodzakelijke toerental.

## Het product gebruiken



**WAARSCHUWING:** Als het product stopt vanwege een onbekende oorzaak tijdens het bedrijf, moet de start/stop- en functieselectieschakelaar direct op "0" worden gezet.

1. Zorg ervoor dat de functieselectieschakelaar correct is ingesteld voor het bedrijf. Zonder trillingen: stand "1". Met trillingen: stand "2".
2. Duw de aandrijfhendels om het product te bewegen.



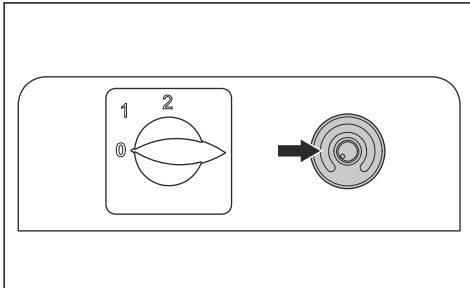
- a) Duw de hendel voor vooruitrijden (A) in om het product naar voren te verplaatsen. Het product wordt met het ingestelde toerental naar voren verplaatst.
- b) Om het product met maximaal toerental naar voren te verplaatsen, moet de hendel voor achteruitrijden (B) worden ingedrukt terwijl u naar voren beweegt.
- c) Duw alleen de hendel voor achteruitrijden (B) in om het product naar achteren te verplaatsen.



### WAARSCHUWING:

Achterwaartse verplaatsing van het product wordt altijd met maximaal toerental uitgevoerd.

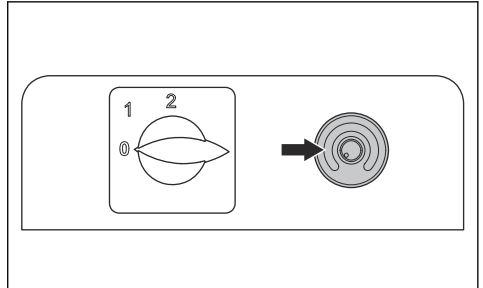
3. Draai de toerentalregeling om het ingestelde voorwaartse toerental tijdens het bedrijf af te stellen.



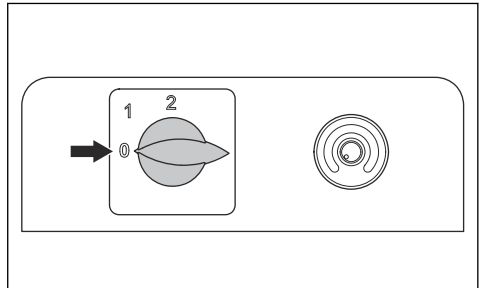
4. Om het blad in de buurt van een wand te positioneren, moet de verstelbare handgreep worden afgesteld. Zie *Verstelbare handgreep afstellen op pagina 98*.

## Product stoppen

1. Draai de toerentalregeling linksom naar het laagste toerental.



2. Laat de aandrijfhendels los.
3. Draai de start/stop- en functieselectieschakelaar naar de stand "0".



4. Stop de stofzuiger.
5. Ontkoppel de voeding.

## Een zacht vloeroppervlak verwijderen



**WAARSCHUWING:** Draag veiligheidshandschoenen. De bladen zijn zeer scherp.

**Let op:** Korte bladen snijden vloeren eenvoudiger dan lange bladen. Lange bladen zijn niet altijd beter of sneller. Een kort blad reinigt de vloer vaak beter dan een breed blad.

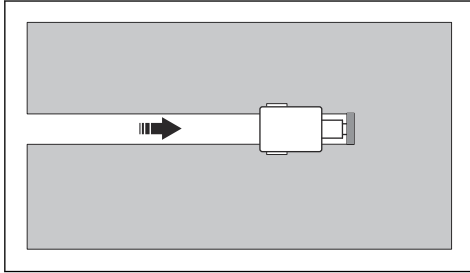
**Let op:** De bladen blijven langer scherp als ongewenst materiaal van het werkgebied is verwijderd.

1. Maak altijd gebruik van persoonlijke beschermingsmiddelen. Zie *Persoonlijke beschermingsuitrusting op pagina 95*.
2. Installeer een zelfkervend mes. Zie *De correcte bladafmeting en installatiepositie selecteren op pagina 98* en *Mes vervangen op pagina 105*.



**WAARSCHUWING:** Draag veiligheidshandschoenen. De bladen zijn zeer scherp.

3. Verzeker u ervan dat het blad scherp is. Slijp het blad indien nodig. Zie *Het blad slijpen op pagina 105*.
4. Snijd een lineaire greppel in de vloer.

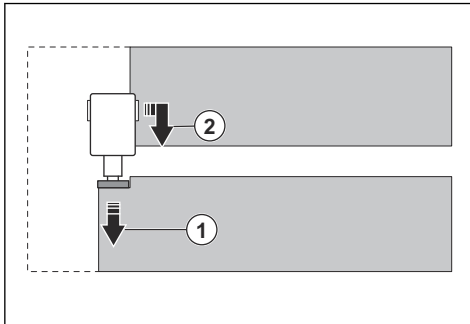


5. Monteer een plat blad.



**WAARSCHUWING:** Draag veiligheidshandschoenen. De bladen zijn zeer scherp.

6. Begin bij de greppel en verwijder de vloer.



## Een hard vloeroppervlak verwijderen



**WAARSCHUWING:** Draag veiligheidshandschoenen. De bladen zijn zeer scherp.

**Let op:** Korte bladen snijden vloeren eenvoudiger dan lange bladen. Lange bladen zijn niet altijd beter of sneller. Een kort blad reinigt de vloer vaak beter dan een breed blad.

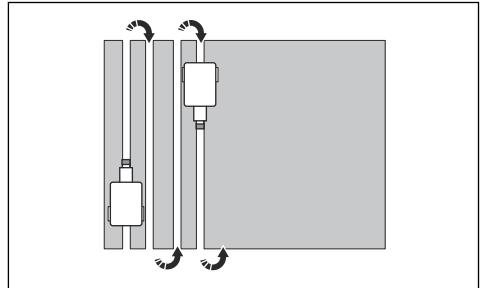
**Let op:** De bladen blijven langer scherp als ongewenst materiaal van het werkgebied is verwijderd.

1. Maak altijd gebruik van persoonlijke beschermingsmiddelen. Zie *Persoonlijke beschermingsuitrusting op pagina 95*.
2. Installeer het correcte type korte blad. Zie *De correcte bladafmeting en installatiepositie selecteren op pagina 98* en *Mes vervangen op pagina 105*.

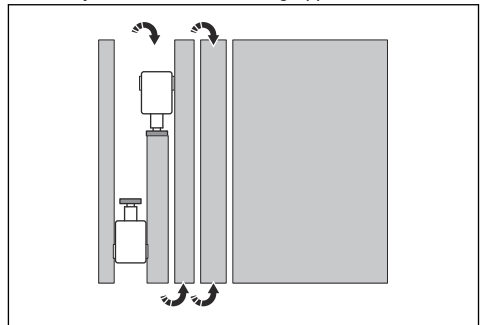


**WAARSCHUWING:** Draag veiligheidshandschoenen. De bladen zijn zeer scherp.

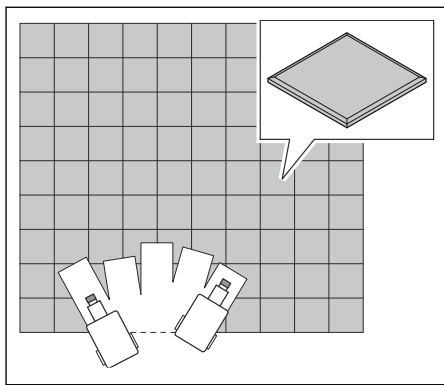
3. Verzeker u ervan dat het blad scherp is. Slijp het blad indien nodig. Zie *Het blad slijpen op pagina 105*.
4. Snijd lineaire greppels in de vloer. Zorg ervoor dat de afstand tussen de greppels gelijk is aan de breedte van het lange blad.



5. Installeer het correcte type lange blad. Zie *De correcte bladafmeting en installatiepositie selecteren op pagina 98* en *Mes vervangen op pagina 105*.
6. Verzeker u ervan dat het blad scherp is. Slijp het blad indien nodig. Zie *Het blad slijpen op pagina 105*.
7. Verwijder de vloer tussen de greppels.



**Let op:** Gebruik een beitel en beweeg het product in een ventilatorvormpatroon om tegels en houten vloeren te verwijderen.



## Bladtoepassingen

Vloertype	Bladtoepassing
VCT – Tegel (vinylcompositie-tegel)	Gebruik geen blad dat breder is dan de afmetingen van de te verwijderen tegel. Als de tegels er niet volledig worden uitgehaald of als de machine bovenop de tegels springt, moet een kleiner blad worden gemonteerd totdat de correcte bladgrootte wordt gevonden of moet een kleiner deel van het blad worden gebruikt.
Vinyl-, rubber-, pvc-, direct gelijmd tapijt	Het tapijt moet worden ingekerfd (gootvorming) met een 152mm zelfkervend blad voor correcte verwijdering. Bij voorgekerfd tapijt (goot gevormd) of voorgesneden tapijt kan de machine eenvoudiger worden bestuurd en blijven de bladen langer scherp. Normaal gesproken worden 254mm bladen gebruikt op direct gelijmd-tapijt, dubbelondersteund, eenheids-, dubbelgelijmd, vinylfoam, ethylcarbamaatfoam. Latexfoams zijn eenvoudig te verwijderen met een blad van 305mm.
Keramik (gelijmd met dubbelgelaagde- of moddersets)	De keramische tegels moeten vooraf worden gebroken met een moker of grote hamer voordat ze met de vloerstripper worden verwijderd. Gebruik een grote hamer om genoeg tegels weg te breken om ruimte te creëren voor de machine of het blad, of begin bij een deuropening. Gebruik lage snelheid en kleine bladen of een beitel. Houd het werkgebied schoon en zorg ervoor dat de wielen goed contact houden met de vloer.
Hout en houtachtige vloeren	Zaag het hout vooraf met een cirkelzaag. Sla nagels of metalen obstructies naar beneden of verwijder deze om schade aan het blad te voorkomen.
Vastgelijmde hardhouten vloer	Voor correcte verwijdering van hardhouten vloeren (harde planken, gelamineerde planken, Parky, parketgelamineerd), moet de vloer vooraf worden gezaagd. Dit wordt uitgevoerd met een cirkelzaag die wordt ingesteld op een diepte van 99% van de dikte van het bord, waarbij het ondervloeroppervlak net wordt gemist. Trek krijtstrepen over de vloer en zaag vooraf op bladbreedte. (elke 152mm).  Het kerven van Parky-vloeren is niet nodig. Deze wordt in kleine stukjes eruit gehaald. Bij werken op multiplex ondervloeren moet worden geprobeerd om de machine in dezelfde richting als de korrels in het hout te bewegen. Blad in de meeste gevallen met een hoek omlaag. Op harde vloeren zoals een planken vloer moet in dezelfde richting als de plank worden bewogen, niet dwars ten opzichte van korrels of planken. Het verwijderen van de voorste contragewichten zal helpen op alle zachte oppervlakken.
Beton	Bij werken op betonplaten is de normale bladpositie in een hoek omhoog voor de beste prestaties, met name bij het verwijderen van lijm. Soms zorgt een hoek omlaag voor een langere levensduur van het blad.

# Onderhoud

## Inleiding



**WAARSCHUWING:** Voordat u onderhoud gaat uitvoeren, dient u het hoofdstuk over veiligheid te lezen en hebben begrepen.

Voor alle onderhouds- en reparatiewerkzaamheden aan het product is speciale training nodig. Wij garanderen de beschikbaarheid van professionele reparaties en onderhoud. Indien uw dealer geen servicewerkplaats heeft, vraag hem dan naar de dichtstbijzijnde servicewerkplaats.

## Onderhoudsschema

\* = Algemeen onderhoud uit te voeren door de gebruiker. De instructies zijn niet opgenomen in deze gebruikershandleiding.

X = De instructies zijn opgenomen in deze gebruikershandleiding.

O = De instructies zijn niet opgenomen in deze gebruikershandleiding. Laat onderhoud aan de machine uitvoeren door een erkende servicewerkplaats.

Onderhoud	Elke dag	Wekelijks	Elke 12 maanden
Controleer alle veiligheidsvoorzieningen van het product.	*		
Controleer de slijtage en scherpheid van het blad.	X		
Zorg ervoor dat alle elektrische aansluitingen schoon zijn.	X		
Zorg ervoor dat de motoren schoon zijn.	*		
Reinig de buitenkant van het product.	X		
Voer een algemene inspectie uit.	X		
Controleer de bevestigingspunten en de vergrendelfunctie voor de gewichten.		*	
Controleer de trillingsdempereenheden op de snijkop.		X	
Reinig de interne componenten van het product.			O

## Algemene inspectie uitvoeren

- Controleer of de moeren en schroeven op het product goed zijn vastgedraaid.
- Zorg dat de kabels van het product zich in een positie vinden waarin ze niet beschadigd kunnen raken.
- Inspecteer de elektrische onderdelen op beschadiging. Gebruik een product niet als dit beschadigde elektrische onderdelen heeft.

## Product reinigen



**WAARSCHUWING:** Reinig het product dagelijks om circulatie van gevaarlijk stof te voorkomen.

- Reinig het product in een geschikte ruimte.
- Draag goedgekeurde veiligheidshandschoenen wanneer u het product reinigt.
- Reinig het externe oppervlak met een vochtige doek.

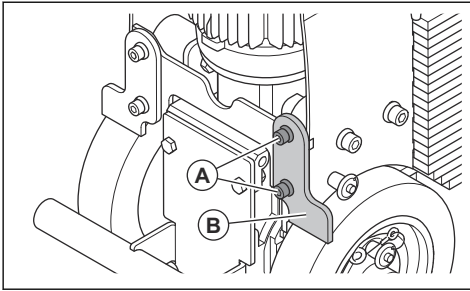
- Gebruik geen water op elektrische onderdelen.
- Gebruik geen hogedrukreiniger of perslucht om het product te reinigen.

## De wielschraperplaten reinigen en afstellen

Reinig de wielschraper indien nodig.

1. Ontkoppel de voeding.

- Maak de 2 schroeven (A) los.



- Stel de wielschraperplaat (B) af.



**OPGELET:** De wielschraperplaat moet de wielen raken, maar moet niet hard tegen het wiel drukken.

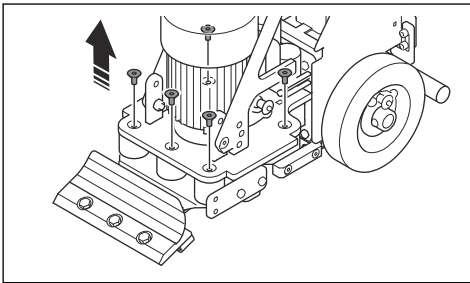
- Draai de 2 schroeven vast.
- Voer dezelfde procedure uit op de wielschraperplaat op het andere wiel.

### De trillingsdempereenheden vervangen BS 75

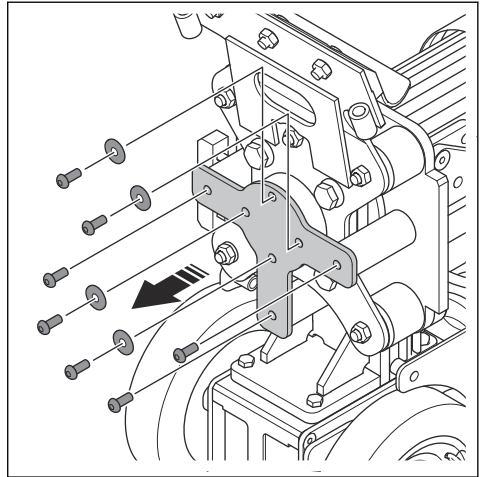


**WAARSCHUWING:** Draag veiligheidshandschoenen. De bladen zijn zeer scherp.

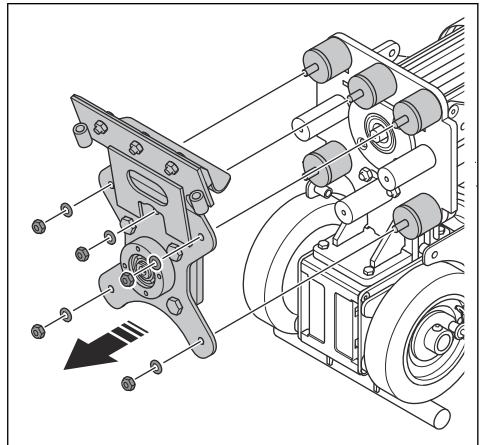
- Verwijder het blad of breng de bladbescherming aan. Zie *Mes vervangen op pagina 105*.
- Verwijder de gewichten. Zie *Het product demonteren en monteren BS 75 op pagina 111*.
- Verwijder de 5 schroeven.



- Verwijder de 7 schroeven.



- Verwijder de middelste bout om de lagernaaf los te maken.
- Verwijder de 5 moeren.



- Verwijder de trillingsdempingsplaat en de 5 trillingsdempereenheden.
- Monteer in omgekeerde volgorde van verwijderen.

### De trillingsdempereenheden vervangen BS 110

- Verwijder het mes. Zie *Mes vervangen op pagina 105*.

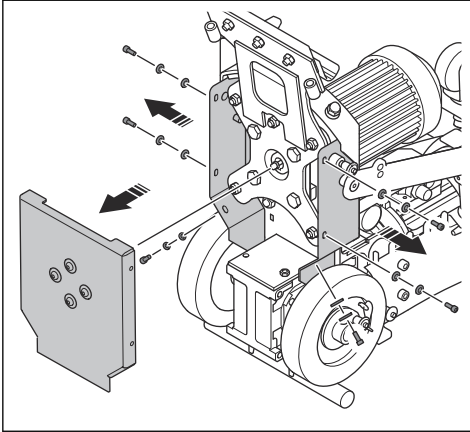


**WAARSCHUWING:** Draag veiligheidshandschoenen. De bladen zijn zeer scherp.

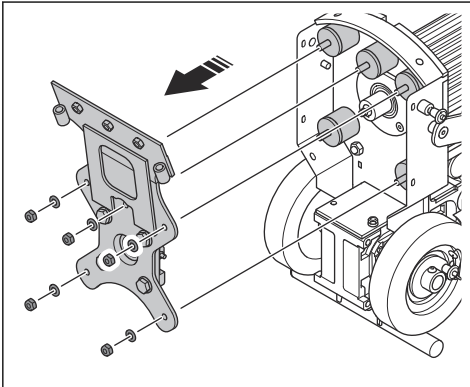
- Verwijder de gewichten. Zie *De gewichten verwijderen en monteren BS 110 op pagina 99*.



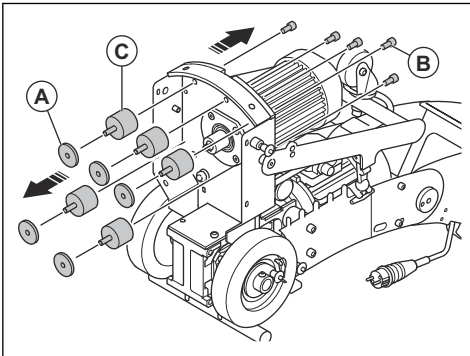
3. Verwijder de 6 schroeven en de onderste afdekking.



4. Verwijder de 5 moeren en de zaagkop.



5. Verwijder de 5 ringen (A).



6. Verwijder de 5 schroeven (B) en de 5 trillingsdempingen (C).

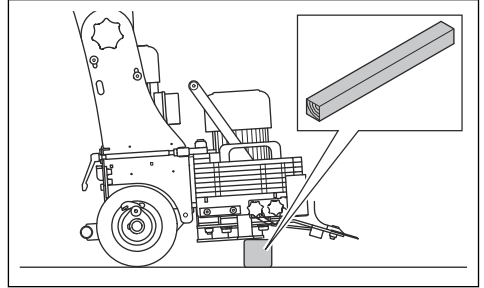
7. Monteer in omgekeerde volgorde van verwijderen.

## Mes vervangen

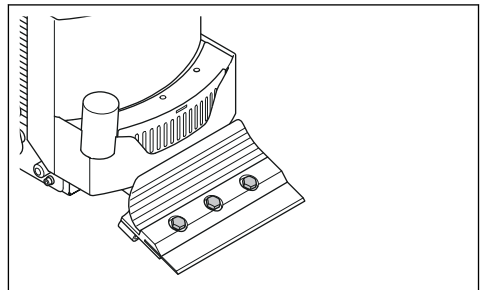


**WAARSCHUWING:** Draag veiligheidshandschoenen. De bladen zijn zeer scherp.

1. Til de voorkant van het product op en plaats een ondersteuning onder het product. Zorg ervoor dat het blad van de vloer wordt getild.



2. Draai de 3 schroeven op de gereedschapshouder los.



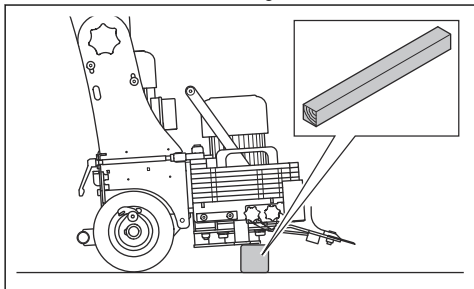
3. Verwijder het mes.
4. Plaats het nieuwe blad in de gereedschapshouder.
5. Controleer of het blad in de juiste positie staat.
6. Draai de schroeven op de gereedschapshouder aan.

## Het blad slijpen



**WAARSCHUWING:** Draag veiligheidshandschoenen. De bladen zijn zeer scherp.

1. Til de voorkant van het product op en plaats een ondersteuning onder het product. Zorg ervoor dat het blad van de vloer wordt getild.

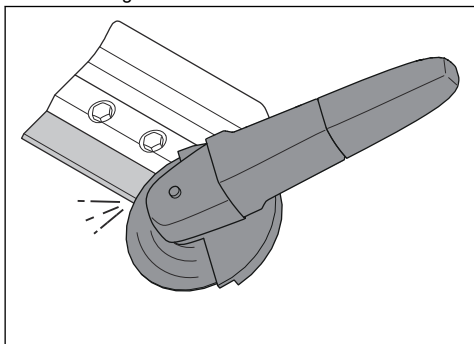


2. Slijp het blad met een haakse slijper. Gebruik een slijpschijf met een korrel van 120.

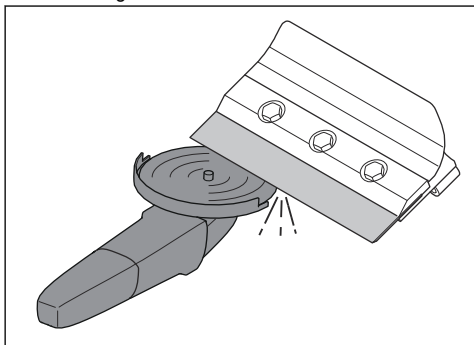


**WAARSCHUWING:** Zorg ervoor dat de slijpschijf niet de rand of hoek van het blad raakt.

- a) Slijp de bovenste rand van het blad voor moer omhoog.

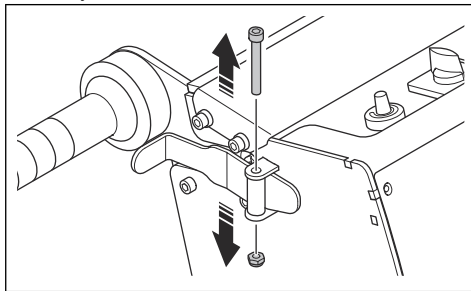


- b) Slijp de onderste rand van het blad voor moer omlaag.

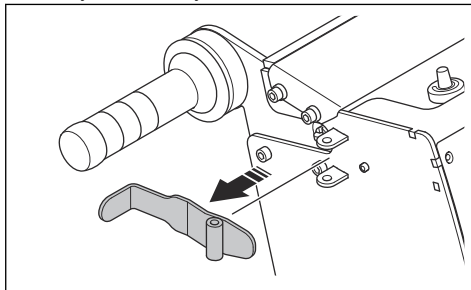


## Een aandrijfhendel afstellen

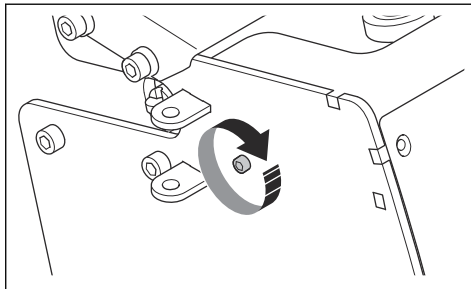
1. Verwijder de moer en de schroef.



2. Verwijder de aandrijfhendel.



3. Draai de stelschroef naar de correcte stand.



4. Installeer de aandrijfhendel, de schroef en de moer.

## Probleemoplossing

Probleem	Oorzaak	Oplossing
Het product start niet.	De verlengkabel is losgekoppeld of beschadigd.	Sluit de verlengkabel aan of vervang deze indien nodig.  Zorg ervoor dat de kabel wordt vervangen als deze beschadigd is.
	Controleer de frequentie-aandrijving op foutcodes.	Zie <i>Foutcodes op pagina 107</i> .
	De noodstopknop is ingeschakeld.	Draai de noodstopknop op het bedieningspaneel rechtsom om deze uit te schakelen.
Het product kan niet eenvoudig worden vastgehouden.	De trillingsdempingseenheden zijn versleten of beschadigd.	Vervang de trillingsdempingseenheden.
	Het onderste motorlager is defect.	Neem contact op met een door Husqvarna erkende servicewerkplaats.
	Het blad is stomp of niet correct gemonteerd.	Controleer het blad en slijp of vervang het indien nodig.
Het product kan niet eenvoudig worden verplaatst.	Er zit een blokkering bij de wielschraperplaten of de wielschraperplaten zijn beschadigd.	De wielschraperplaten reinigen en inspecteren. Vervang beschadigde onderdelen.
	Er zit een blokkering bij de wielen of de wielen zijn beschadigd.	De wielen reinigen en inspecteren. Vervang beschadigde onderdelen.
De frequentieaandrijving stopt.	De belasting is te hoog of de voeding is niet voldoende.	Controleer de voeding.
De trillingsmotor werkt niet goed.	Het onderste motorlager is defect.	Neem contact op met een door Husqvarna erkende servicewerkplaats.

## Foutcodes

Foutcode	Naam	Oorzaak	Actie
uSF	Lage spanning.	De ingangsspanning is te laag.	Controleer de ingangsspanning.
□SF	Hoogspanning.	De ingangsspanning is te hoog.	Stop het product tot de ingangsspanning correct is.
			Controleer de ingangsspanning.
OLF	Overbelasting motor.	Te hoge stroomsterkte in de motor.	Verlaag de werklast.
nSt	Toewijzing stop vrijloop.	Aandrijfhendel is tijdens opstarten op HMI ingedrukt.	Laat de aandrijfhendels tijdens opstarten los.

Foutcode	Naam	Oorzaak	Actie
□PF2	3 motor faseverlies.	De motor is losgekoppeld of het motorvermogen is te laag.	Zorg ervoor dat de motor is aangesloten.
SCF1	Kortsluiting motor.	Kortsluiting in de motorkabels.	Controleer de aansluitingen van de hoofdcircuitvoeding.
SCF3	Kortsluiting motor.	Kortsluiting in de motorkabels.	Controleer de motoraansluitingen en de isolatie van de motor.
SCF5	Kortsluiting motor.	Kortsluiting in de motorkabels.	Controleer de motoraansluitingen en de isolatie van de motor.
tJF	De omvormer is te warm.	De omgevingstemperatuur is te hoog.	Controleer de koelventilator.
		De werklast is te hoog.	Verlaag de werklast.
□HF	De motor is te warm.	De omgevingstemperatuur is te hoog.	Controleer de koelventilator.
		De werklast is te hoog.	Verlaag de werklast.

## Vervoer, opslag en verwerking

### Transport



**WAARSCHUWING:** Wees voorzichtig tijdens het transport. Het product is zwaar en kan als het valt of beweegt letsel of schade veroorzaken.



**WAARSCHUWING:** Verwijder het gereedschap of breng de beschermkap aan voordat het product wordt getransporteerd. Draag veiligheidshandschoenen. De bladen zijn zeer scherp.

Met de wielen kunt u het product met de hand verplaatsen voor kortere afstanden. Zie *Het product op de wielen transporteren BS 75 op pagina 108* en *Het product op de wielen transporteren BS 110 op pagina 109*.

Voor langere afstanden moet u het product heffen om het te verplaatsen of op een voertuig plaatsen. Zie *Het product optillen op pagina 110* en *Het product aan een transportvoertuig bevestigen op pagina 110*.

- Wees zeer voorzichtig wanneer u het product handmatig of op oppervlakken met een helling verplaatst. Lichte hellingen kunnen leiden tot een sterke beweging die niet met de hand kan worden geremd.

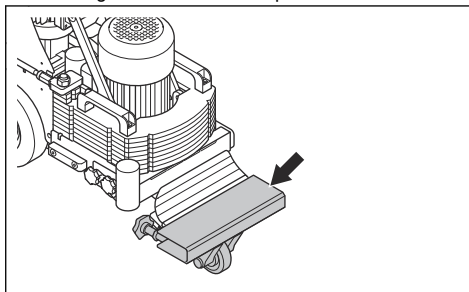
- Zorg dat het product tijdens het transport op bepaalde manieren wordt beschermd. Op deze wijze wordt het product niet blootgesteld aan natuurverschijnselen zoals regen en sneeuw.

### Het product op de wielen transporteren BS 75



**WAARSCHUWING:** Draag veiligheidshandschoenen. De bladen zijn zeer scherp.

1. Ontkoppel de voeding.
2. Bevestig de bladbeschermkap.



3. Koppel de aandrijfwielen los. Zie *In- en uitschakelen van de aandrijfwielen op pagina 109*.

4. Duw het product langzaam.

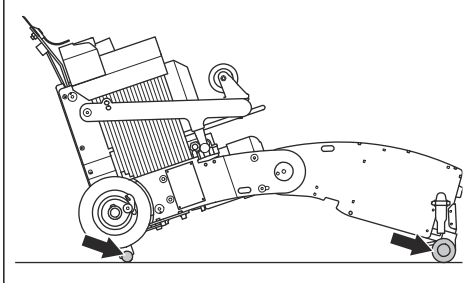
## Het product op de wielen transporteren BS 110

1. Ontkoppel de voeding.
2. Zorg ervoor dat het gereedschap uit de gereedschapshouder wordt verwijderd.

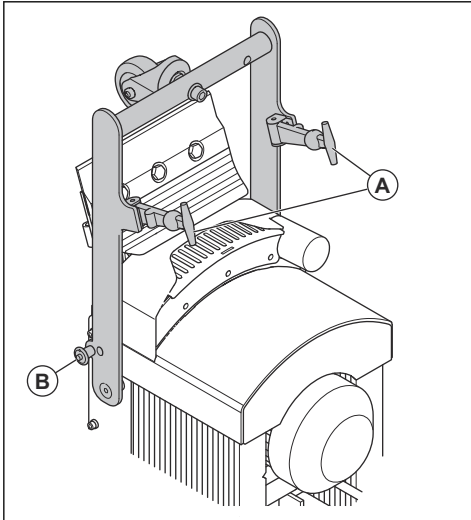


**WAARSCHUWING:** Draag veiligheidshandschoenen. De bladen zijn zeer scherp.

3. Kantel het product totdat de voetsteun en de handgreep zich op de vloer bevinden.



4. Maak de 2 rubberen klemmen (A) los en beweeg het transportwiel naar voren.

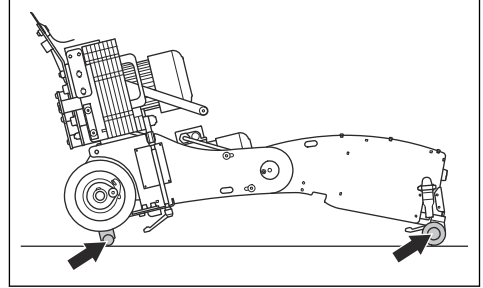


5. Installeer de borgpennen (B) voor het transportwiel aan de rechter- en linkerkant.
6. Koppel de aandrijfwielen los. Zie *In- en uitschakelen van de aandrijfwielen op pagina 109*.
7. Til het product aan de handgreep op totdat alle 3 op de vloer staan.
8. Duw het product langzaam.

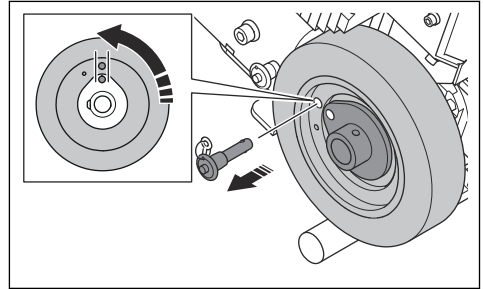
## In- en uitschakelen van de aandrijfwielen

De aandrijfwielen zijn ingeschakeld als de borgpen zich in het binnenste gat bevindt en niet ingeschakeld als de borgpen zich in het buitenste gat bevindt.

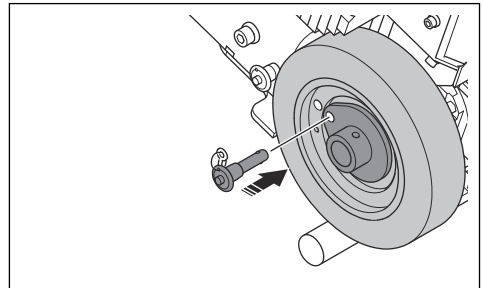
1. Kantel het product totdat de voetsteun en de handgreep zich op de vloer bevinden.



2. Draai de wielen tot de 2 gaten op één lijn staan en trek de borgpen eruit.



3. Plaats de borgpen in het binnenste gat om de aandrijfwielen vast te koppelen.



4. Om de aandrijfwielen los te koppelen moet de borgpen in het buitenste gat worden geplaatst.

## Het product een hellingbaan op en af laten gaan



**WAARSCHUWING:** Wees zeer voorzichtig wanneer u het product een hellingbaan op en af laat gaan met de motor ingeschakeld. Het product is zwaar en er bestaat gevaar voor letsel als het product te valt of te snel beweegt.



**WAARSCHUWING:** Gebruik altijd een lier voor steile hellingbanen. Blijf niet onder of in de buurt van het product staan.



**WAARSCHUWING:** Werk niet met het product op steile hellingen. Kijk op het productplaatje voor informatie over de maximale hellingshoek.

- Als u het product van een hellingbaan af wilt laten rijden, rijd het product dan langzaam achteruit.
- Als u het product een hellingbaan op wilt laten rijden, rijd het product dan langzaam vooruit.
- Draai het product nooit meer dan 45° op een hellingbaan.

## Het product optillen



**WAARSCHUWING:** Zorg ervoor dat de hijsapparatuur de juiste specificaties heeft om het product veilig op te tillen. Het typeplaatje op het product geeft het gewicht van het product aan.



**WAARSCHUWING:** Loop nooit onder een opgeheven product door en blijf er niet onder of in de buurt staan. Houd omstanders uit de buurt van het risicogebied.

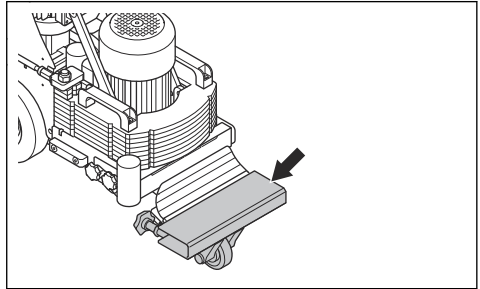


**WAARSCHUWING:** Hef een beschadigd product niet. Controleer of het hijspunt correct is aangebracht en niet beschadigd is.



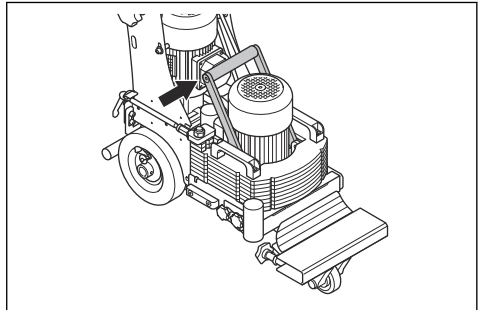
**WAARSCHUWING:** Hijs het product niet op aan de handgreep, de motor of het chassis.

1. Verwijder het gereedschap of bevestig de bladbeschermingskap.



**WAARSCHUWING:** Draag veiligheidshandschoenen. De bladen zijn zeer scherp.

2. Zorg ervoor dat de aandrijfwielen zijn ingeschakeld. Zie *In- en uitschakelen van de aandrijfwielen op pagina 109*.
3. Bevestig de hijsuitrusting op het hijspunt.



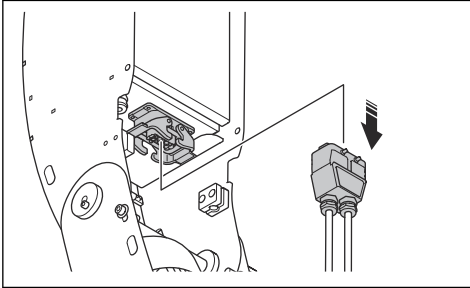
4. Hef het product langzaam omhoog.

## Het product aan een transportvoertuig bevestigen

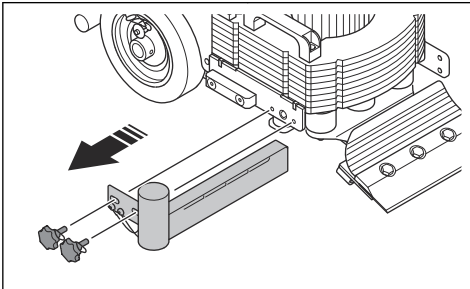
1. Zorg ervoor dat de aandrijfwielen zijn ingeschakeld. Zie *In- en uitschakelen van de aandrijfwielen op pagina 109*.
2. Bevestig spanbanden op het hijspunt.
3. Bevestig de sjordbanden aan het transportvoertuig en haal de sjordbanden aan.
4. Zorg ervoor dat het product niet kan bewegen.

# Het product demonteren en monteren BS 75

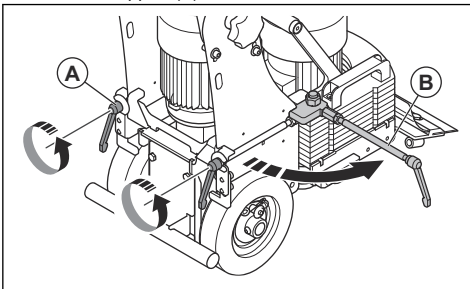
1. Ontkoppel de voeding.



2. Verwijder de eenheid met de aansluiting voor de stofzuiger.



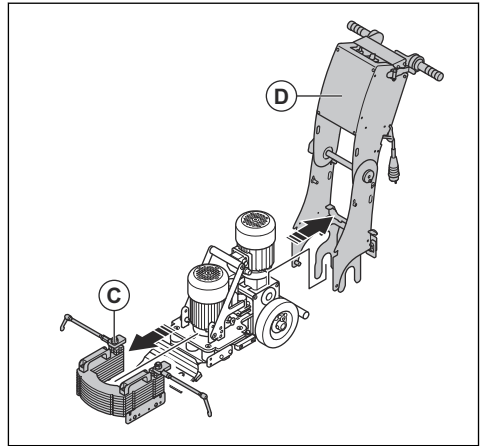
3. Draai 2 knoppen (A) los.



4. Draai de 2 hendels naar voren (B).

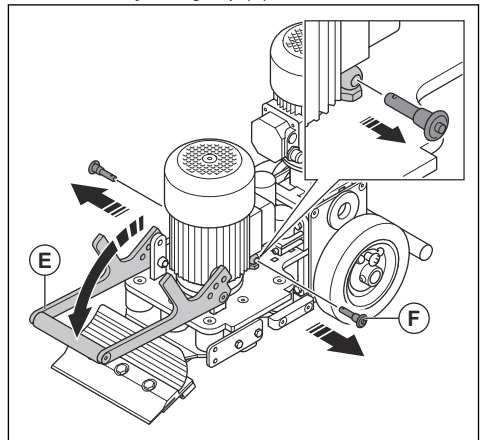


5. Beweeg het gewicht (C) naar voren.



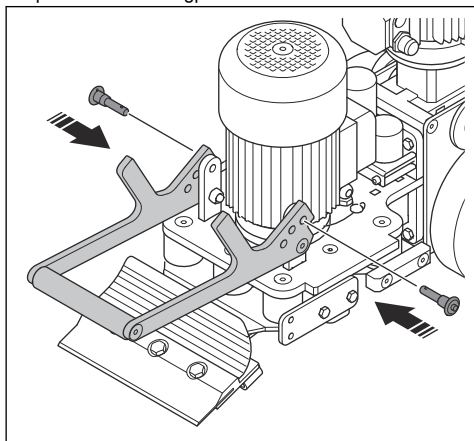
6. Til de handgripeenheid (D) op.

7. Kantel de hijshandgreep (E) naar voren.



8. Verwijder de 2 borgpennen (F).

9. Vergrendel de hijshandgreep in de voorwaartse positie met de borgpennen.



10. Monteer in de omgekeerde volgorde van verwijderen.

## Het product opslaan

- Product mogen alleen binnen worden opgeslagen.
- Bewaar het product in een afgesloten ruimte om toegang door kinderen of onbevoegde personen te verhinderen.
- Bewaar het product in een droge en vorstvrije ruimte.

## Het product afvoeren

- Neem de plaatselijk geldende wet- en regelgeving voor recycling in acht.
- Wanneer het product niet langer wordt gebruikt, stuur het dan naar een Husqvarna-dealer of voer het af via een recyclingslocatie.

## Technische gegevens

	<b>BS 75</b>	<b>BS 110</b>
Vermogen aandrijfmotor, kW	0.75	0.75
Vermogen trillingsmotor, kW	0.75	0.75
Voorwaarts toerental, m/min	2,5–18,5	2,5–18,5
Achterwaarts toerental, m/min	2,5–18,5	2,5–18,5
Nominale spanning, V	200–240	200–240
Frequentie, Hz	50–60	50–60
Gewicht, kg	129	170
Aanvullend gewicht, kg	10	–
Bedrijfstemperatuur, °C	-10-40	-10-40
Relatieve luchtvochtigheid, max, %	95	95
Geluidsvermogeniveau $L_{WA}$ gemeten, dB(A) <sup>10</sup>	70	75
Trillingsniveau $a_h$ , $m/s^2$ <sup>11</sup>	4.0	4.6

## Verklaring inzake geluid- en trillingsemissies

Deze aangegeven waarden zijn verkregen door middel van typeonderzoek in een laboratorium in overeenstemming met de genoemde richtlijn of normen

en zijn geschikt voor vergelijking met aangegeven waarden van andere producten die volgens dezelfde richtlijn of normen zijn getest. Deze aangegeven waarden zijn niet geschikt voor gebruik ten behoeve van risicoanalyses. Waarden die worden gemeten op afzonderlijke werkplekken, kunnen hoger zijn. De werkelijke blootstellingswaarden en het risico op letsel

<sup>10</sup> Geluidsemissie naar de omgeving gemeten als geluidsvermogen ( $L_{WA}$ ) volgens EN-ISO 11202:2010 en EN-ISO 3437:2010. Onzekerheidsmarge Kwa 2,5dB.

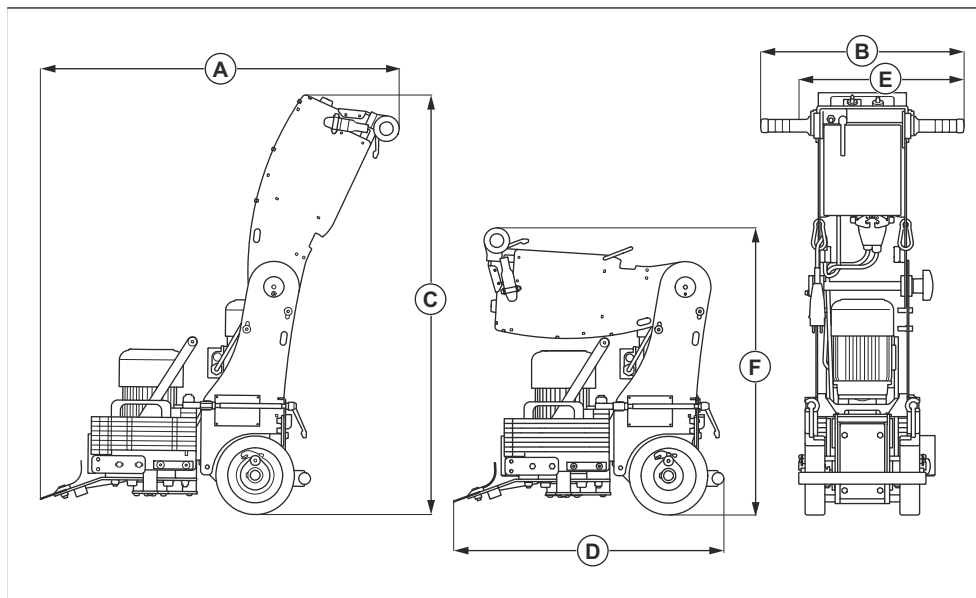
<sup>11</sup> Trillingsniveau volgens EN ISO 20643-2-2008. De gerapporteerde gegevens voor een trillingsniveau vertonen een typische statistische spreiding (standaardafwijking) van 1  $m/s^2$ .



dat een individuele gebruiker ondervindt, zijn uniek en zijn afhankelijk van de manier waarop de gebruiker werkt, het materiaal waarvoor het product gebruikt

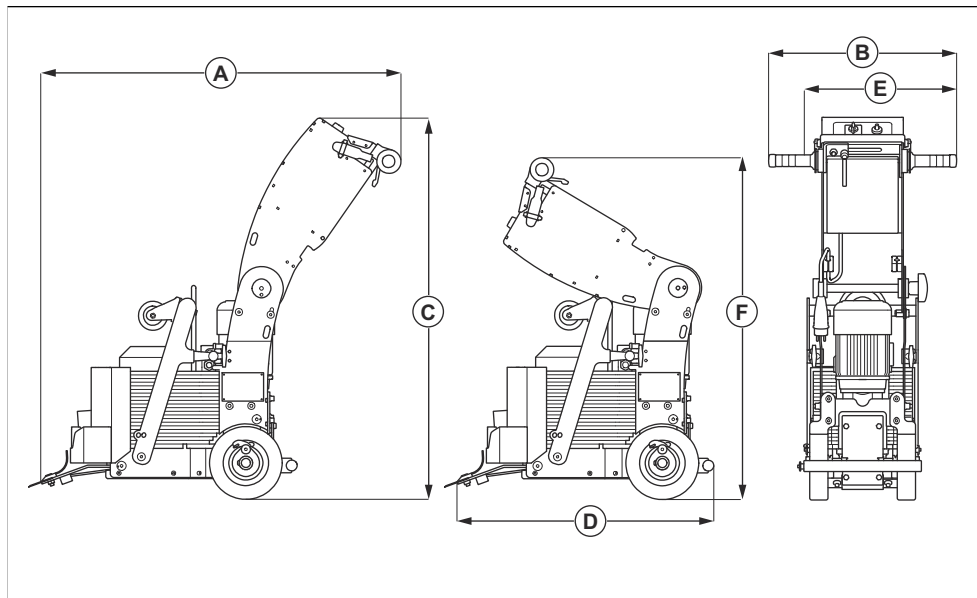
wordt, de blootstellingstijd en de fysieke toestand van de gebruiker en de toestand van het product.

## Productafmetingen BS 75



<b>A</b>	Lengte, mm	872
<b>B</b>	Maximale breedte, mm	515
<b>C</b>	Hoogte, mm	1069
<b>D</b>	Lengte met ingeklapte handgreep, mm	654
<b>O</b>	Minimale breedte, mm	419
<b>F</b>	Hoogte met ingeklapte handgreep, mm	741

## Productafmetingen BS 110



<b>A</b>	Lengte, mm	956
<b>B</b>	Maximale breedte, mm	515
<b>C</b>	Hoogte, mm	1069
<b>D</b>	Lengte met ingeklapte handgreep, mm	738
<b>O</b>	Minimale breedte, mm	419
<b>F</b>	Hoogte met ingeklapte handgreep, mm	944

## Verlengkabels

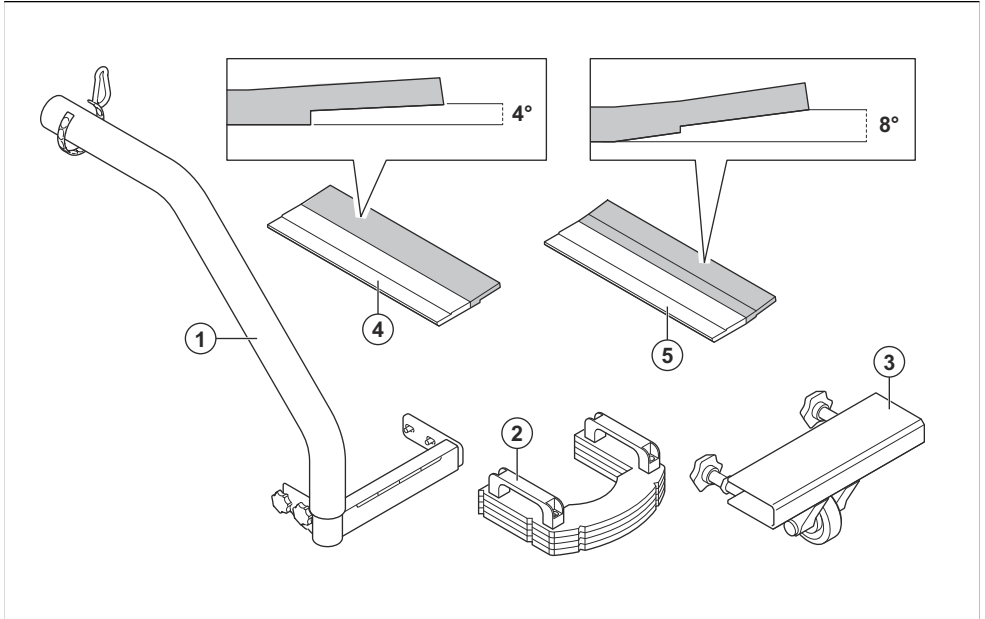
Kabellengte	Dwarsdoorsnede			
	≤ 16 A	≤ 32 A	≤ 63 A	≤ 125 A
Berekend bij een verzekering GG <sup>12</sup> :	16 amp	32 amp	63 amp	125 amp
> 20m	1,5 mm <sup>2</sup>	2,5 mm <sup>2</sup>	10 mm <sup>2</sup>	25 mm <sup>2</sup>
20m > 50m	2,5 mm <sup>2</sup>	4 mm <sup>2</sup>	10 mm <sup>2</sup>	25 mm <sup>2</sup>

<sup>12</sup> De dwarsdoorsnedes moeten opnieuw worden berekend als een ander type verzekering of verzekering met andere afmetingen dan gegeven wordt gebruikt.

Kabellengte	Dwarsdoorsnede			
	≤ 16 A	≤ 32 A	≤ 63 A	≤ 125 A
50m > 75m	4 mm <sup>2</sup>	6 mm <sup>2</sup>	16 mm <sup>2</sup>	35 mm <sup>2</sup>

## Accessoires

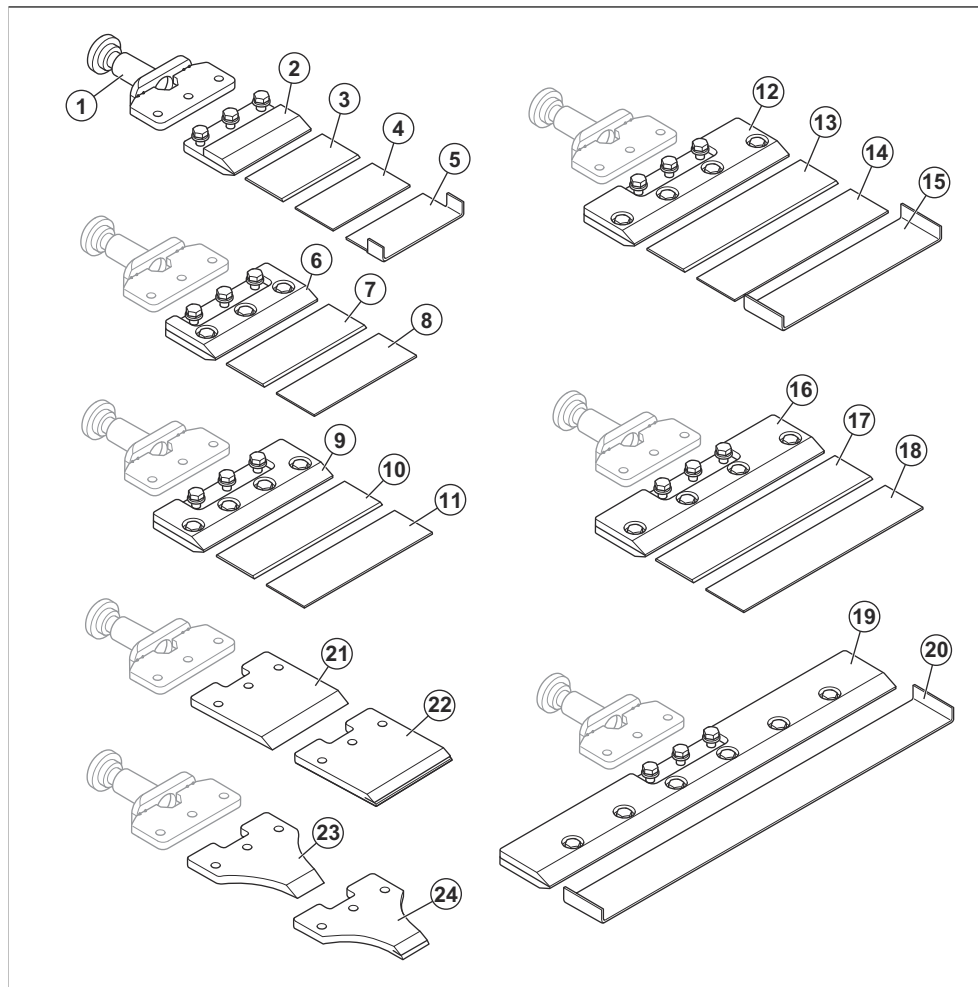
### Accessoires BS 75



1	Aanzuigslang
2	Gewichten
3	Beschermkap.
4	Hoek afstelplaat 4°
5	Hoek afstelplaat 8°

## Messen

Alle bladen zijn niet geschikt voor alle producten.  
Neem contact op met een door Husqvarna erkende  
servicewerkplaats.



Positie	Type	Afmeting (mm)
1	Ondersteuning voor beitels of bladhouder	-
2	Bladhouder	152
3	Blad voor zwaar gebruik	152x76x2,5
4	Premium blad	152x76x1,5

<b>Positie</b>	<b>Type</b>	<b>Afmeting (mm)</b>
5	Zelfkervend blad	152x76x1,5
6	Bladhouder	203
7	Blad voor zwaar gebruik	203x76x2,5
8	Premium blad	203x76x1,5
9	Bladhouder	254
10	Blad voor zwaar gebruik	254x76x2,5
11	Premium blad	254x76x1,5
12	Bladhouder	305
13	Blad voor zwaar gebruik	305x76x2,5
14	Premium blad	305x76x1,5
15	Zelfkervend blad	305x76x1,5
16	Bladhouder	355
17	Blad voor zwaar gebruik	355x76x2,5
18	Premium blad	355x76x1,6
19	Bladhouder	685
20	Zelfkervend blad	686x76x1,5
21	Premium beitel	152x12
22	Beitel voor zwaar gebruik	152x12
23	Premium beitel	51x12
24	Beitel voor zwaar gebruik	51x12

---

## Verklaring van overeenstemming

---

### EU-verklaring van overeenstemming

Wij, Husqvarna AB, SE-561 82 Huskvarna,  
Zweden, tel: +46- 36-146500, verklaren onder onze  
alleenverantwoordelijkheid dat het product:

Beschrijving	Schraper
Merk	Husqvarna
Type/model	BS-75, BS-110
Identificatie	Serienummers vanaf 2022 en verder

volledig voldoet aan de volgende EU-richtlijnen en  
-regelgeving:

Richtlijn/Verordening	Beschrijving
2006/42/EG	"betreffende machines"
2014/30/EU	"betreffende elektromagnetische compatibiliteit"

en dat de volgende normen en/of technische  
specificaties zijn toegepast:

EN ISO 12100:2010, EN 60204-1:2006

Partille, 2022-01-24



Martin Huber

R&D Director, Concrete Surfaces & Floors

Husqvarna AB, Construction-divisie

Verantwoordelijk voor technische documentatie







[www.husqvarnacp.com](http://www.husqvarnacp.com)

Original instructions  
Originalanweisungen  
Instructions d'origine  
Originele instructies

1142991-20



2022-05-13