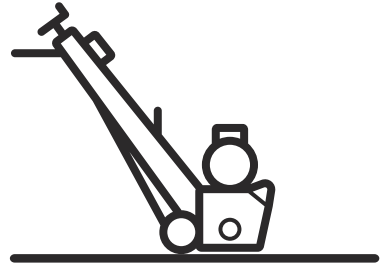




Husqvarna®



BMP 265, BMP 265Petrol

EN	Operator's manual	2-18
DE	Bedienungsanweisung	19-37
FR	Manuel d'utilisation	38-56
NL	Gebruiksaanwijzing	57-73

Contents

Introduction.....	2	Troubleshooting.....	14
Safety.....	4	Transportation, storage and disposal.....	14
Operation.....	9	Technical data.....	16
Maintenance.....	11	Declaration of Conformity.....	17

Introduction

Product description

The product is a scarifier. BMP 265 is operated by an electric motor and BMP 265Petrol is operated by a combustion engine .

Intended use

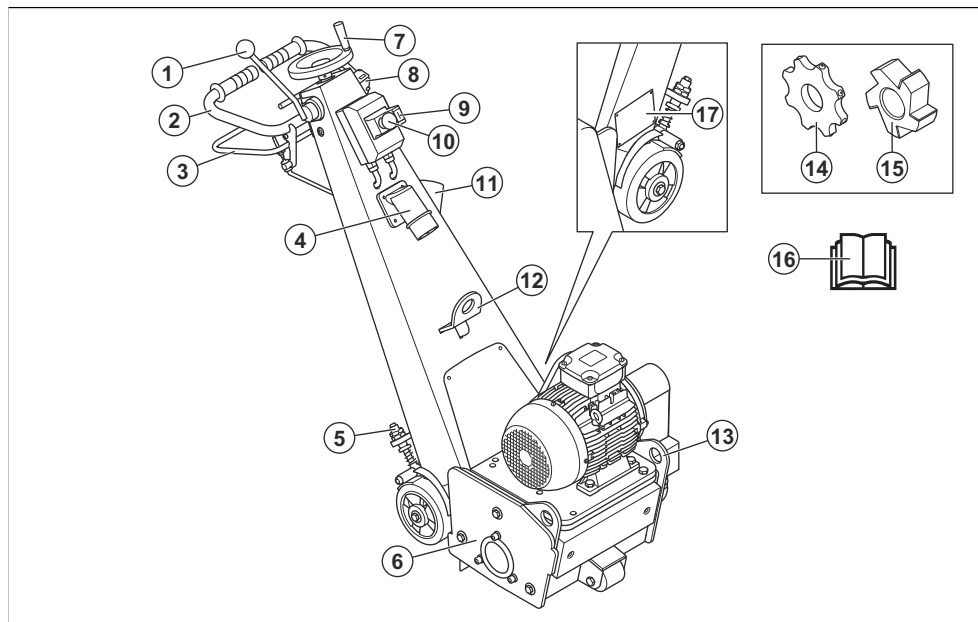
The product is used to make the surfaces rough, and to remove layers and road marks. The product can be

used on surfaces such as concrete, asphalt, stone and steel.

The product is used in commercial operations by professional operators.

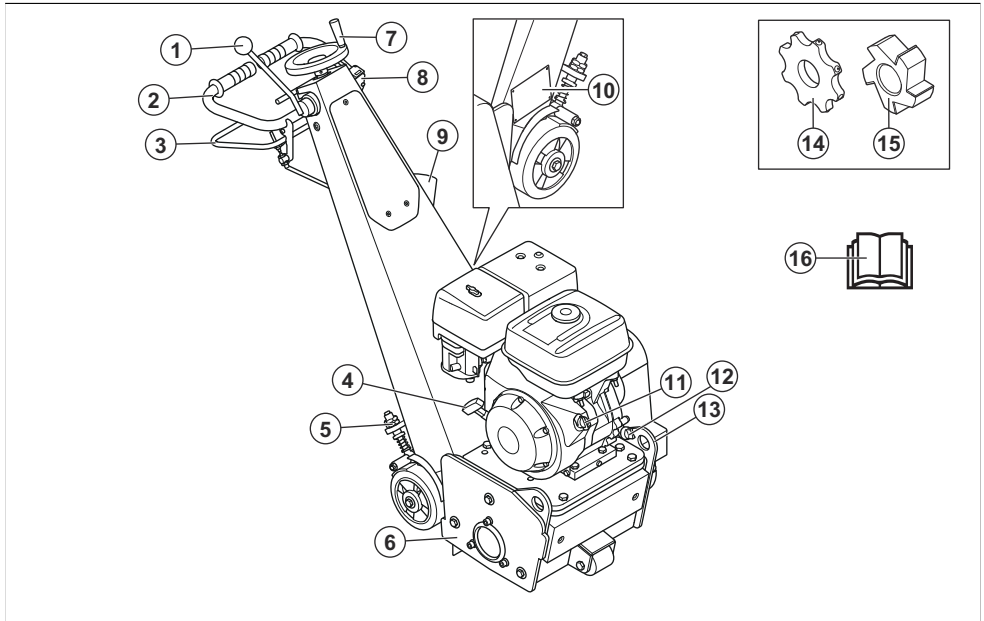
Do not use the product for other tasks.

Product overview BMP 265



- | | |
|---------------------------------------|-----------------------------------|
| 1. Lift lever | 10. Emergency stop button |
| 2. Handle | 11. Connection for dust extractor |
| 3. Brake handle | 12. Lifting eye |
| 4. Power connection | 13. Lifting eye |
| 5. Bolt for brake pressure adjustment | 14. Cutter |
| 6. Side cover | 15. Milling cutter |
| 7. Depth adjustment wheel | 16. Operator's manual |
| 8. Operator presence control (OPC) | 17. Type plate |
| 9. Start button | |

Product overview BMP 265Petrol



1. Lift lever
2. Handle
3. Brake handle
4. Starter rope handle
5. Bolt for brake pressure adjustment
6. Side cover
7. Depth adjustment wheel
8. Operator presence control (OPC)
9. Connection for dust extractor
10. Type plate
11. Engine ON/OFF switch
12. Oil tank cap
13. Lifting eye
14. Cutter
15. Milling cutter
16. Operator's manual



Keep all parts of your body away from hot surfaces.



Lifting point.



Read the manual carefully and make sure that you understand the instructions before you use the product.



Use an approved respiratory protection.



Use approved hearing protection.



Use approved eye protection.

Symbols on the product



Warning: This product can be dangerous and cause serious injury or death to the operator or others. Be careful and use the product correctly.



High voltage.



Use approved protective gloves.



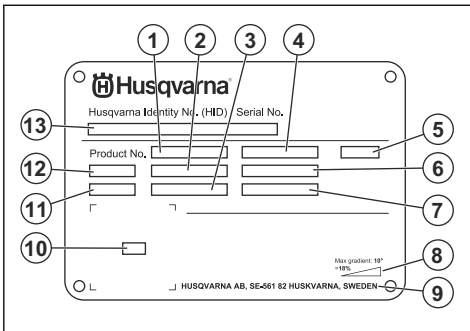
Use approved protective boots



This product is in compliance with applicable EU directives.

Note: Other symbols/decals on the product refer to special certification requirements for some markets.

Type plate



1. Product number
2. Product weight
3. Rated power
4. Rated voltage
5. Enclosure
6. Rated current
7. Frequency
8. Maximum slope angle
9. Manufacturer
10. Scannable code
11. Production year
12. Model
13. Serial number

Product liability

As referred to in the product liability laws, we are not liable for damages that our product causes if:

- the product is incorrectly repaired.
- the product is repaired with parts that are not from the manufacturer or not approved by the manufacturer.
- the product has an accessory that is not from the manufacturer or not approved by the manufacturer.
- the product is not repaired at an approved service center or by an approved authority.

Safety

Safety definitions

Warnings, cautions and notes are used to point out specially important parts of the manual.



WARNING: Used if there is a risk of injury or death for the operator or bystanders if the instructions in the manual are not obeyed.



CAUTION: Used if there is a risk of damage to the product, other materials or the adjacent area if the instructions in the manual are not obeyed.

Note: Used to give more information that is necessary in a given situation.

General safety instructions



WARNING: Read the warning instructions that follow before you use the product.

- This product is a dangerous tool if you are not careful or if you use the product incorrectly. This product can cause serious injury or death to the operator or others. Before you use the product, you must read and understand the contents of this operator's manual.
- Save all warnings and instructions.
- Comply with all applicable laws and regulations.
- The operator and the employer of the operator must know and prevent the risks during operation of the product.
- Do not let a person operate the product unless they read and understand the contents of the operator's manual.

- Do not operate the product unless you receive training before use. Make sure that all operators receive training.
- Do not let a child operate the product.
- Only let approved persons operate the product.
- The operator is responsible for accidents that occur to other persons or their property.
- Do not use the product if you are tired, ill, or under the influence of alcohol, drugs or medicine.
- Always be careful and use your common sense.
- This product produces an electromagnetic field during operation. This field can under some circumstances interfere with active or passive medical implants. To decrease the risk of serious injury or death, we recommend persons with medical implants to speak to their physician and the medical implant manufacturer before operating this product.
- Keep the product clean. Make sure that you can clearly read signs and decals.
- Do not use the product if it is defective.
- Do not do modifications to this product.
- Do not operate the product if it is possible that other persons have done modifications to the product.
- Always use approved accessories. Speak to your Husqvarna dealer for more information.
- If vibrations occur in the product or the noise level from the product is unusually high, stop the product immediately. Examine the product for damages. Repair damages or let an approved service agent do the repair.
- Connect the product to a dust extractor for removal of the dust.
- Do not pull the hose of the dust extractor. The product can fall and cause injury or damage.
- Keep the dust extractor on until the motor stops fully.
- Make sure that the scarifying drum does not touch the surface when you start the product.
- BMP 265: Do a check of the rotating direction of the motor. An arrow on the housing of the motor shows the correct direction of the motor.
- Only operate the product from behind with your hands on the handlebar.
- Make sure that there is no grease or oil on the handles.
- Always keep the 2 wheels on the ground during operation.

Safety instructions for operation



WARNING: Read the warning instructions that follow before you use the product.

- Use personal protective equipment. Refer to *Personal protective equipment on page 6*.
- Overexposure to vibration can cause circulatory damage or nerve damage to persons with decreased blood circulation. Get medical aid if you have symptoms of overexposure to vibration. These symptoms include numbness, loss of feeling, tingling, pricking, pain, loss of strength, changes in skin color or condition. These symptoms usually show in the fingers, hands or wrists.
- Do not operate the product without all protective covers installed.
- Make sure that you know how to stop the motor quickly in an emergency.
- BMP 265: Before you go away from the product, stop the motor and disconnect the power cord. Make sure that there is no risk of accidental start.
- BMP 265Petrol: Before you go away from the product, stop the engine. Make sure that there is no risk of accidental start.
- Make sure that clothing, long hair and jewelry do not get caught in moving parts
- Make sure that you are in a safe and stable position during operation.
- Only operate the product on horizontal surfaces.
- Do not operate the product unless you can get aid if an accident occurs



WARNING: Read the warning instructions that follow before you use the product.

- During operation of the product, vibrations go from the product to the operator. Regular and frequent operation of the product can cause or increase the degree of injuries to the operator. Injuries can occur in fingers, hands, wrists, arms, shoulders, and/or nerves and blood supply or other body parts. The injuries can be debilitating and/or permanent, and can increase gradually during weeks, months or years. Possible injuries include damage to the blood circulation system, the nervous system, joints, and other body structures.
- Symptoms can occur during operation of the product or at other times. If you have symptoms and continue to operate the product, the symptoms can increase or become permanent. If these or other symptoms occur, get medical aid:
 - Numbness, loss of feeling, tingling, pricking, pain, burning, throbbing, stiffness, clumsiness, loss of strength, changes in skin color or condition.
- Symptoms can increase in cold temperatures. Use warm clothing and keep your hands warm and dry when you operate the product in cold environments.
- Do maintenance on and operate the product as given in the operator's manual, to keep a correct vibration level.
- The product has a vibration damping system that decreases the vibrations from the handles to the operator. Let the product do the work. Do not

push the product with force. Hold the product at the handles lightly, but make sure that you control the product and operate it safely. Do not push the handles into the end stops more than necessary.

- Keep your hands on the handle or handles only. Keep all other body parts away from the product.
- Stop the product immediately if strong vibrations suddenly occurs. Do not continue the operation before the cause of the increased vibrations is removed.

Dust safety



WARNING: Read the warning instructions that follow before you use the product.

- Operation of the product can cause dust in the air. Dust can cause serious injury and permanent health problems. Silica dust is regulated as harmful by several authorities. These are examples of such health problems:
 - The fatal lung diseases chronic bronchitis, silicosis and pulmonary fibrosis
 - Cancer
 - Birth defects
 - Skin inflammation
- Use correct equipment to decrease the quantity of dust and fumes in the air and to decrease dust on work equipment, surfaces, clothing and body parts. Examples of controls are dust collection systems and water sprays to bind dust. Decrease dust at the source where possible. Make sure that the equipment is correctly installed and used and that regular maintenance is done.
- Use approved respiratory protection. Make sure that the respiratory protection is applicable for the dangerous materials in the work area.
- Make sure that the airflow is sufficient in the work area.
- If it is possible, point the exhaust of the product where it cannot cause dust to go into the air.

Noise safety



WARNING: Read the warning instructions that follow before you use the product.

- High noise levels and long-term exposure to noise can cause noise-induced hearing loss.
- To keep the noise level to a minimum, do maintenance on and operate the product as given in the operator's manual.
- Use approved hearing protection while you operate the product.
- Listen for warning signals and voices when you use hearing protection. Remove the hearing protection when the product is stopped, unless hearing

protection is necessary for the noise level in the work area.

Exhaust fumes safety



WARNING: Read the warning instructions that follow before you use the product.

- The exhaust fumes from the engine contain carbon monoxide which is an odourless, poisonous and very dangerous gas. To breathe carbon monoxide can cause death. Because carbon monoxide is odourless and cannot be seen, it is not possible to sense it. A symptom of carbon monoxide poisoning is dizziness, but it is possible that a person becomes unconscious without warning if the quantity or concentration of carbon monoxide is sufficient.
- Exhaust fumes also contain unburned hydrocarbons including benzene. Long-term inhalation can cause health problems.
- Exhaust fumes that you can see or smell also contain carbon monoxide.
- Do not use a combustion engine product indoors or in areas that do not have sufficient airflow.
- Do not breathe the exhaust fumes.
- Make sure that the airflow in the work area is sufficient. This is very important when you operate the product in trenches or other small work areas where exhaust fumes can easily collect.

Personal protective equipment



WARNING: Read the warning instructions that follow before you use the product.

- Always use approved personal protective equipment when you operate the product. Personal protective equipment cannot fully prevent injury but it decreases the degree of injury if an accident does occur. Let your dealer help you select the correct personal protective equipment.
- Regularly do a check of the condition of the personal protective equipment.
- Use an approved protective helmet.
- Use approved hearing protection.
- Use approved respiratory protection.
- Use approved eye protection with side protection.
- Use protective gloves.
- Use boots with steel toe-cap and non-slip sole.
- Use approved work clothing or equivalent close-fitting clothing that has long sleeves and long legs.

Fire extinguisher

- Keep a fire extinguisher near during operation.
- Use a powder fire extinguisher or a carbon dioxide fire extinguisher.

Work area safety



WARNING: Read the warning instructions that follow before you use the product.

- Do not use the product in fog, rain, strong winds, cold weather, risk of lightning or other bad weather conditions.
- Do not use the product in areas where fire or explosions can occur.
- Keep children, bystanders and animals away from the work area and at a safe distance from the product.
- Make sure that only approved persons are in the work area.
- Keep the work area clean and sufficiently illuminated.
- Remove objects such as screws, bolts, wires and stones from the work area before you use the product.
- Make sure that there are no cables or hoses in the operation direction of the product.
- Make sure that there is sufficient airflow in the work area.

Electrical safety



WARNING: There is always a risk of shocks from electrical products. Do not use the product in bad weather conditions. Do not touch lightning conductors and metal objects. Always use the product as given in this operator's manual to prevent injury.



WARNING: Always use a power supply with RCD (residual-current device). An RCD decreases the risk of electrical shock.



WARNING: High voltage. There are unprotected parts in the power unit. Always disconnect the power plug before you open the door to the electrical box.



CAUTION: The power supply from the product or generator must be sufficient and constant to make sure that the motor operates without problems. Incorrect voltage causes the power consumption and the temperature of the motor to increase until the safety circuit releases. The dimension of the power cord must agree with national and local regulations. The dimension of the mains socket must agree with the amperage for the electrical socket and extension cable of the product.

If the power mains has higher system resistance, short voltage drop can occur when the product is started. This can influence the operation of other products, for example flicker on the lights.

- Make sure that the power, fuse and mains voltage are the same as the voltage shown on the rating plate of the product.
- Always stop the product before you disconnect the power plug.
- Do not use the product if the power cord or power plug is damaged. Hand it in to an approved service center for repair. A damaged power cord can cause serious injury and death.
- Use the power cord correctly. Do not use the power cord to move, pull or disconnect the product. Pull the power plug to disconnect the power cord. Do not pull the power cord.
- Do not operate the product in water depths where the equipment of the product gets wet. The equipment can become damaged and the product can become live and cause injury.
- Do not get more moisture into the product than the water supplied by the water system. Keep the product away from rain. Water that goes into the product increases the risk of electrical shock.
- Always disconnect the power cord before you connect or disconnect the connection for the motor cable and the electrical enclosure.

Grounded product instructions



WARNING: Incorrect connection can result in electrical shock. Speak to an approved electrician if you are not sure if your mains outlet is correctly grounded.

Do not do modifications to the power plug from its factory specification. If the power plug or power cord is damaged or must be replaced, speak to your Husqvarna service agent. Obey local regulations and laws.

If you do not fully understand the instructions about the grounded product, speak to an approved electrician.

Use only grounded outdoor extension cables with grounding plugs and grounding outlet that accepts the product power plug.

The product has a grounded power plug. Always connect the product to a grounded mains outlet. This decreases the risk of electrical shock if there is a malfunction.

Do not use electrical adapters with the product.

Extension cables

- Use only approved extension cables with sufficient length.
- The rated value on the extension cable must be the same or higher than given on the rating plate of the product.
- Use grounded extension cables.
- When you operate the product outdoors, use an extension cable that is applicable for outdoor operation. This decreases the risk of electrical shock.
- Keep the connection to the extension cable dry and off the ground.
- Keep the extension cable away from heat, oil, sharp edges or moving parts. A damaged cable increases the risk of electrical shock.
- Make sure that the extension cable is in good condition and not damaged.
- Do not use the extension cable while it is wound up. This can cause the extension cable to become too hot.
- Make sure that the extension cable is behind you and the product when you use the product. This prevents damage to the extension cable.

Safety devices on the product



WARNING: Read the warning instructions that follow before you use the product.

- Do not use a product with defective safety devices.
- Do a check of the safety devices regularly. If the safety devices are defective, speak to your Husqvarna service agent.

Wheel brakes

The brake handle controls the wheel brakes. The brakes are engaged when the brake handle is in neutral position. The brakes are released when the brake handle is pulled in the direction of the handle.

To do a check of the wheel brakes

1. Start the product. Refer to *To start the product on page 10*.
2. Make sure that the product does not move. If the product moves, adjust the brake pressure. Refer to [xref].

Operator Presence Control (OPC) BMP 265

When the OPC is engaged, the motor stops. Refer to *To do a check of the OPC BMP 265 on page 8*.

To do a check of the OPC BMP 265

1. Start the product. Refer to *To start the product on page 10*.

2. Pull out the OPC, refer to *Operator Presence Control (OPC) BMP 265 on page 8*. If the motor does not stop in 3 seconds, speak to an approved Husqvarna service agent.

Emergency stop button BMP 265

The emergency stop button is used to quickly stop the motor. The emergency stop button breaks the mains power supply. Refer to *Product overview BMP 265 on page 2* for information about where the emergency stop button is on your product.

To do a check of the emergency stop button BMP 265

Refer to *Product overview BMP 265 on page 2* for information about where the emergency stop button is on your product.

1. Turn the emergency stop button clockwise to make sure that the emergency stop button is disengaged.
2. Start the product. Refer to *To start the product on page 10*.
3. Push the emergency stop button.
4. Make sure that the motor stops.
5. Turn the emergency stop button clockwise to disengage.

Engine ON/OFF switch BMP 265Petrol

The engine can only start when the engine ON/OFF switch is set to "ON". The engine stops when you set the engine ON/OFF switch to "OFF".

To do a check of the engine ON/OFF switch

1. Start the engine. Refer to *To start the product on page 10*.
2. Set the engine ON/OFF switch to "OFF". The engine stops.

Side cover

The side cover keeps dust and particles away from the operator.

To do a check of the side cover

- Make sure that the holes on the side cover are not worn and that the screws are fully tightened.

Fuel safety



WARNING: Read the warning instructions that follow before you use the product.

- Fuel is flammable and the fumes are explosive. Be careful with fuel to prevent injury, fire and explosion.
- Do not breathe in the fuel fumes. The fuel fumes are poisonous and can cause injury. Make sure that the airflow is sufficient.

- Do not remove the fuel tank cap or fill the fuel tank when the engine is on.
- Let the engine become cool before you refuel.
- Do not fill fuel in an indoor area. Not sufficient airflow can cause injury or death because of asphyxiation or carbon monoxide.
- Do not smoke near the fuel or the engine.
- Do not put hot objects near the fuel or the engine.
- Do not fill fuel near sparks or flames.
- Before you refuel, open the fuel tank cap slowly and release the pressure carefully.
- Fuel on your skin can cause injury. If you get fuel on your skin, use soap and water to remove the fuel.
- If you spill fuel on your clothing, change clothing immediately.
- Do not fill the fuel tank fully. Heat causes the fuel to expand. Keep a space at the top of the fuel tank.
- Tighten the fuel tank cap fully. If the fuel tank cap is not tightened, there is a risk of fire.
- Before you start the product, move the product to a minimum of 3 m/10 ft from where you refueled.
- Do not start the product if there is fuel or engine oil on the product. Remove the unwanted fuel and engine oil and let the product dry before you start the engine.
- Examine the engine for leaks regularly. If there are leaks in the fuel system, do not start the engine until the leaks are repaired.
- Do not use your fingers to examine the engine for leaks.
- Keep fuel in approved containers only.
- When the product and fuel is in storage, make sure that fuel and fuel fumes cannot cause damage.
- Drain the fuel in an approved container outdoors and away from sparks and flames.
- Use personal protective equipment. Refer to *Personal protective equipment on page 6*.
- Only do the maintenance as given in this operator's manual. Let an approved service agent do all other servicing.
- If the maintenance is not done correctly and regularly, the risk of injury and damage to the product increases.
- Clean the product to remove dangerous material before you do the maintenance.
- Before you do the maintenance, stop the product and prevent accidental start:
 - BMP 265: Stop the motor, pull out the operator presence control and disconnect the power plug.
 - BMP 265Petrol: Stop the engine and pull out the operator presence control.
- Do the maintenance of the product on stable level ground.
- Do not do modifications to the product. Modifications that are not approved by the manufacturer can cause serious injury or death.
- Replace damaged, worn or broken parts.
- Always use original accessories and spare parts. Accessories and spare parts that are not approved by the manufacturer, can cause serious injury or death.
- After maintenance, do a check of the vibration level in the product. If it is not correct, speak to an approved service agent.
- Let an approved service agent do servicing on the product regularly.

Safety instructions for maintenance



WARNING: Read the warning instructions that follow before you use the product.

Operation

Introduction



WARNING: Before you operate the product, you must read and understand the safety chapter.

To do before you operate the product

1. Read the operator's manual carefully and make sure that you understand the instructions.
2. BMP 265Petrol: Read the operator's manual for the combustion engine carefully and make sure that you understand the instructions.
3. Read the operator's manual for the dust extractor carefully and make sure that you understand the instructions.
4. Use personal protective equipment. Refer to *Personal protective equipment on page 6*.
5. Make sure that only approved persons are in the work area.
6. Do daily maintenance. Refer to *Maintenance schedule on page 11*.

7. Make sure that the product is assembled correctly and is not damaged.
8. Put the product on the work area. Make sure that the surface is level. Make sure that the transportation of the product to and in the work area is done safely and correctly. Refer to *Transportation on page 14*.
9. Make sure that the scarifying drum does not hit the ground.
10. Make sure that the cutters can move freely on the axle of the scarifying drum.
11. Connect a dust extractor to the product. Refer to *To connect a dust extractor on page 10*.
12. BMP 265: Connect the product to a power source. Refer to *To connect the product to a power source BMP 265 on page 10*.
13. BMP 265Petrol: Fill the fuel tank. Refer to *To fill fuel BMP 265Petrol on page 10*.
14. BMP 265Petrol: Do a check of the oil level. Refer to the operator's manual for the combustion engine.
15. BMP 265: Do a check of the direction of rotation of the motor. An arrow on the housing of the motor shows the correct direction of the motor. If it is necessary, change the direction of the motor. Refer to *To change the direction of rotation of the motor BMP 265 on page 12*.

To connect a dust extractor



WARNING: Do not use the dust extractor if the dust extractor hose is damaged. The risk increases that you breathe in dust that is dangerous to your health. Use approved respiratory protection.

1. Examine the dust extractor hose for damages.
2. Make sure that the filters in the dust extractor are clean and not damaged.
3. Connect the dust extractor hose to the connection for dust extractor. Refer to *Technical data on page 16* for information about where the connection for dust extractor is on your product.

To connect the product to a power source BMP 265

1. Connect the power plug of the product to an applicable extension cable.
2. Connect the extension cable to a mains outlet.



CAUTION: When the product is connected to a dust extractor, the dust extractor must be connected to a 3-phase power source.

To fill fuel BMP 265Petrol

If available, use low-emission/alkylate gasoline. If low-emission/alkylate gasoline is not available, use good quality unleaded gasoline or leaded gasoline with octane number not less than 90.



CAUTION: Do not use gasoline with an octane number less than 90 RON (87 AKI). This can cause damage to the product.

1. Open the fuel tank cap slowly to release the pressure.
2. Fill slowly with a fuel can. If you spill fuel, remove it with a cloth and let remaining fuel dry off.
3. Clean the area around the fuel tank cap.
4. Tighten the fuel tank cap fully. If the fuel tank cap is not tightened, there is a risk of fire.
5. Move the product a minimum of 3 m (10 ft) from the position where you filled the tank before a start.

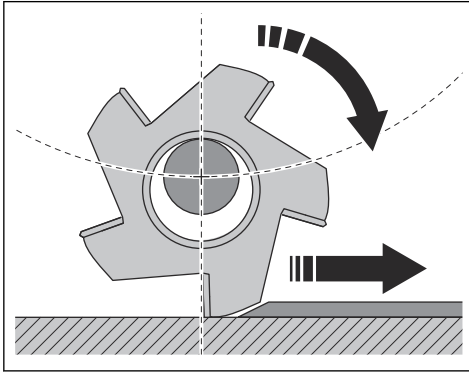
To start the product

1. Make sure that the lift lever and the depth adjustment wheel are in up position.
2. Make sure that the brakes are engaged.
3. Start the dust extractor.
4. Put the cord of the operator presence control around your left wrist.
5. BMP 265Petrol: Set the engine ON/OFF switch to "ON".
6. Start the product:
 - a) BMP 265: Push the start button.
 - b) BMP 265Petrol: Pull the starter rope handle.
7. Slowly lower the lift lever.
8. Turn the depth adjustment wheel clockwise until the scarifying depth is correct.
9. Pull the brake handle in the direction of the handle to release the brakes and move the product forward.

To operate the product

1. Hold the handle with a light pressure to make sure that the rear wheels get a maximum hold.
2. Operate the product in parallel tracks and make sure that the dust hose and the electric cable on BMP 265 do not become twisted.

3. Make sure that the tool of the scarifying drum touches the ground by centripetal force.



4. Adjust the speed to the surface. Operate with lower speed on a rough surface.

To stop the product

1. Pull the lift lever up and turn the depth adjustment wheel until the scarifying drum does not touch the ground.
2. Stop the product:
 - a) BMP 265: Push the emergency stop button.
 - b) BMP 265Petrol: Turn the engine ON/OFF switch to OFF.
3. Stop the dust extractor.
4. BMP 265: Disconnect the power plug.
5. Make sure that all moving parts are stopped.

Maintenance

Introduction



WARNING: Before you do maintenance, you must read and understand the safety chapter.

For all servicing and repair work on the product, special training is necessary. We guarantee the availability of professional repairs and servicing. If your dealer is not a service agent, speak to them for information about the nearest service agent.

Maintenance schedule

* = General maintenance done by the operator. The instructions are not given in this operator's manual.

X = The instructions are given in this operator's manual.

O = The instructions are not given in this operator's manual. Let an approved service agent do the maintenance.

General product maintenance	Daily	12h after service	Yearly
Clean the product.	X		
Do a check of all safety devices.	X		
Make sure that nuts and screws are tight.	*	*	
Do a check of the electrical components, the cables and the connections for wear and damages.	*		
Do a check of the hose connections. Do a check of all hoses on the product for damages or leakage.	*		
Make sure that the dust hoses are not damaged and free of blockage.	*		
Make sure that the dust collector is empty and connected correctly.	*		
Do a complete servicing and cleaning of the product.			O
BMP 265: Make sure that the power plug and extension cable are in good condition and not damaged.	*		

General product maintenance	Daily	12h after service	Yearly
BMP 265Petrol: Make sure that there is no oil or fuel leak.	*		

To clean the product

- Always clean all the equipment after use. Use a vacuum cleaner.
- Do not use a high-pressure washer to clean the product.
- Keep the air openings clean and clear to make sure that the product always has sufficiently cool temperature.
- Clean the tool drum after operation on moist surfaces.

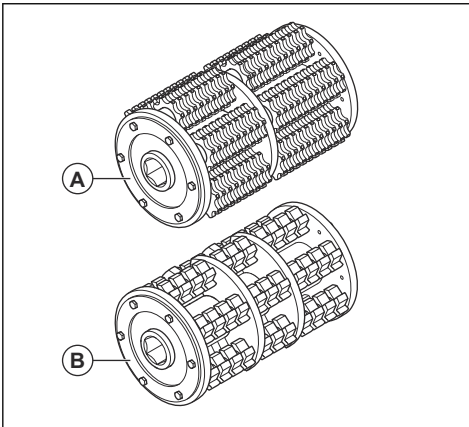
To change the direction of rotation of the motor BMP 265

1. Stop the motor. Refer to *To stop the product on page 11*.
2. Wait until the product is fully stopped.
3. Disconnect the power plug.
4. Turn the inverter switch in the mains plug to the opposite position.

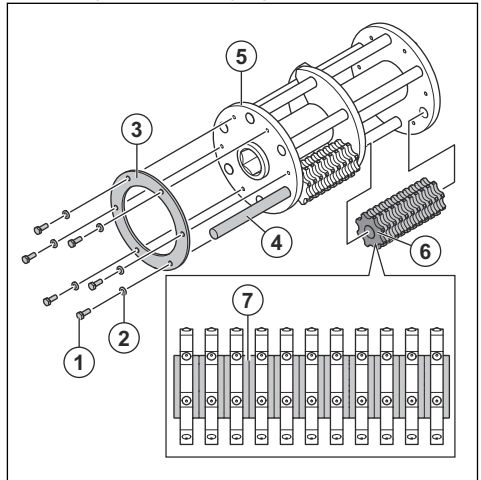
Scarifying drum

Tools for the scarifying drum

There are different tools for the scarifying drums, Cutters (A) and Milling cutters (B). The tools are applicable for different surfaces.



Assembly of the scarifying drum



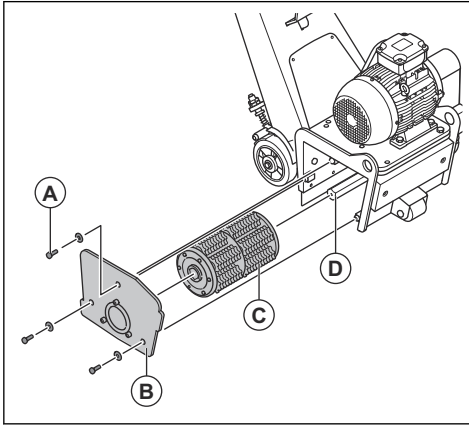
1. M6x16 hexagon head screw
2. M6 spring lock washer
3. Retaining plates
4. Axle
5. Scarifying drum
6. Scarifying flail or cutter
7. Spacer

To replace the scarifying drum



WARNING: Make sure that all moving parts are fully stopped. Pull out the key of the OPC.

1. Remove the screws (A) and the washers from the side cover (B).



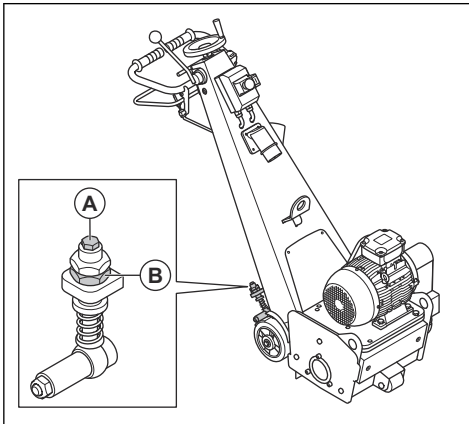
2. Remove the side cover (B).
3. Remove the scarifying drum (C).
4. Clean and lubricate the axle (D).
5. Install the new scarifying drum (C) on the axle (D).
6. Install the side cover (B) on the scarifying drum (C).
7. Install the screws (A) and the washers.

To examine the scarifying drum

- Examine the scarifying drum for wear. Replace if it is damaged, refer to *To replace the scarifying drum on page 12*.

To adjust the brake pressure

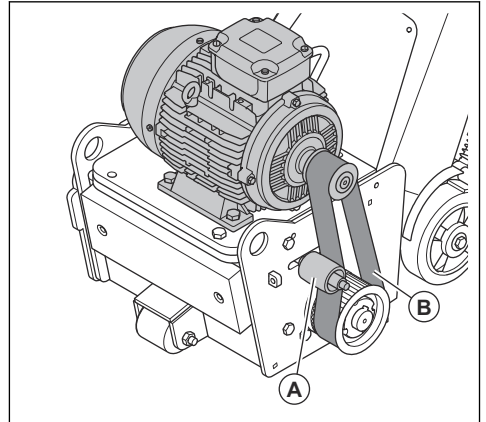
1. Loosen the nuts.



2. Adjust the bolt (B).
 - a) Turn the bolt up to decrease the pressure.
 - b) Turn the bolt down to increase pressure.

To do a check of the drive belt

- Do a check of the tension. If the tension is not correct, change the horizontal position of the tension pulley (A).



- Make sure that the drive belt (B) does not have damages or visual defects.

Troubleshooting

Problem	Cause	Solution
Too much vibration and/or unusual noises.	The tools are worn or damaged.	Replace parts that are worn or damaged.
	The bearing is defective.	Do a check of the bearing on the axle drive shaft and replace if it is necessary.
	Incorrect tension of the drive belt.	Do a check of the drive belt tension. Refer to <i>To do a check of the drive belt on page 13</i> .
	The motor is defective.	Replace the motor.
Decreased or no scarifying performance.	The tools are worn or damaged.	Replace the worn parts.
	The type of tools is incorrect for the surface.	Replace the tools with correct tools for the surface.
	–	BMP 265Petrol: Refer to the operator's manual for the combustion engine.
The product does not start.	BMP 265: The emergency stop button is engaged.	Turn the emergency stop button clockwise to disengage.
	A component is defective.	Replace the defective component.
	BMP 265: Only 1 phase comes into the product.	Do a check of the power supply.
	BMP 265: The extension cable is disconnected or damaged.	Connect the extension cable or if it is necessary, replace the extension cable.
	BMP 265Petrol: There is no fuel in the fuel tank.	Fill the fuel tank with fuel. Refer to <i>To fill fuel BMP 265Petrol on page 10</i> .
The product stops after a while.	BMP 265: The motor protection switch releases because of overload.	Decrease the load.
	BMP 265: The motor has a defect.	Do a check of the motor.

Transportation, storage and disposal

Transportation



WARNING: Be careful during transportation. The product is heavy and can cause injury or damage if it falls or moves during transportation.



CAUTION: Pull the lift lever before transportation. The tools must not be against the ground during transportation.



CAUTION: Do not tow the product behind a vehicle.

- The wheels let you move the product shorter distances. For longer distances, lift the product to move it or put the product on a vehicle.
- Put some type of protection on the product during transportation. The protection keeps natural elements such as rain and snow away from the product.

To move the product up and down a ramp



WARNING: Be very careful when you move the product up and down ramps. The product is heavy and there is a risk of injury if the product falls or moves too quickly.



WARNING: For ramps with a steep slope, always use a winch. Do not walk or stay below or near the product.

- To move the product down a ramp, operate the product forward slowly.
- To move the product up a ramp, operate the product rearward slowly.
- Do not turn the product to the left or to the right more than 45° on a ramp.

To lift the product



WARNING: Make sure that the lifting equipment has the correct specification to lift the product safely. The type plate on the product shows the product weight.

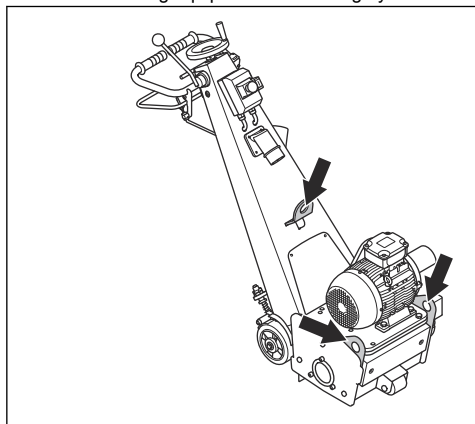


WARNING: Do not walk or stay below or near a lifted product. Keep bystanders away from the work area.



WARNING: Do not lift a damaged product. Make sure that the lifting eye is correctly installed and not damaged.

1. Attach the lifting equipment at the lifting eye.



2. Lift the product safely.

Storage



CAUTION: Do not put the product in storage outdoors. Always keep the product indoors.

- Keep the product in a dry and frost free area.
- Clean the product and do a complete servicing before you put the product in storage.
- Keep the product in a locked area to prevent access for children or persons that are not approved.
- BMP 265Petrol: Empty the fuel tank before you put the product in storage for a long period of time. Discard the fuel at an applicable disposal location.
- BMP 265Petrol: Always use approved containers for storage and transportation of fuel.

Disposal

- Obey the local recycling requirements and applicable regulations.
- Discard all chemicals, such as engine oil or fuel, at a service center or at an applicable disposal location.
- When the product is no longer in use, send it to a Husqvarna dealer or discard it at a recycling location.

Technical data

	BMP 265, 3x400V	BMP 265Petrol
Motor power, kW	5.5	6.0
Electrical connection, V/Hz	3x400/50	-
Fuel	-	Unleaded petrol
Amperage, A	10.5	-
Lubricant	-	SAE 10W-30
Operation width, mm	265	
Rotation speed, min ⁻¹	1440	
Length, mm	1260	
Width, mm	500	
Height, mm	1160	
Weight, kg	175	190
Noise emissions		
Sound power level, measured L _W (dB(A))	96	
Sound levels		
Sound pressure level at the operators ear, L _p (dB(A))	115	
Vibration level (Handle), m/s ²	5.1	6.3
Diameter dust hose connection, mm	75	
Applicable filter unit	Speak to your Husqvarna dealer.	

Noise and vibration declaration statement

These declared values were obtained by laboratory type testing in accordance with the stated directive or standards and are suitable for comparison with the declared values of other products tested in accordance with the same directive or standards. These declared values are not suitable for use in risk assessments

and values measured in individual work places may be higher. The actual exposure values and risk of harm experienced by an individual user are unique and depend upon the way the user works, in what material the product is used, as well as upon the exposure time and the physical condition of the user, and the condition of the product.

Extension cables

Cable length	Cross section			
	≤ 16 A	≤ 32 A	≤ 63 A	≤ 125 A
Calculated at a pre-fuse GG ¹ :	16 amp	32 amp	63 amp	125 amp
> 20m	1.5 mm ²	2.5 mm ²	10 mm ²	25 mm ²
20m > 50m	2.5 mm ²	4 mm ²	10 mm ²	25 mm ²
50m > 75m	4 mm ²	6 mm ²	16 mm ²	35 mm ²

¹ The cross sections must be re-calculated when other type or dimension pre-fuse are used than is given.

Declaration of Conformity

EU Declaration of Conformity

We, Husqvarna AB, SE-561 82 Huskvarna, Sweden, tel: +46- 36-146500, declare on our sole responsibility that the product:

Description	Scarifier
Brand	Husqvarna
Type/Model	BMP 265
Identification	Serial numbers dating from 2022 and onwards

complies fully with the following EU directives and regulations:

Directive/Regulation	Description
2006/42/EC	"relating to machinery"
2014/30/EU	"relating to electromagnetic compatibility"

and that the following standards and/or technical specifications are applied;

EN ISO 12100:2010, EN 60204-1:2006

Partille, 2022-01-24



Martin Huber

R&D Director, Concrete Surfaces & Floors

Husqvarna AB, Construction Division

Responsible for technical documentation



EU Declaration of Conformity

We, Husqvarna AB, SE-561 82 Huskvarna, Sweden, tel:
+46- 36-146500, declare on our sole responsibility that
the product:

Description	Scarifier
Brand	Husqvarna
Type/Model	BMP 265Petrol
Identification	Serial numbers dating from 2022 and onwards

complies fully with the following EU directives and
regulations:

Directive/Regulation	Description
2006/42/EC	"relating to machinery"
2014/30/EU	"relating to electromagnetic compatibility"

and that the following standards and/or technical
specifications are applied;

EN ISO 12100:2010

Partille, 2022-01-24



Martin Huber

R&D Director, Concrete Surfaces & Floors

Husqvarna AB, Construction Division

Responsible for technical documentation



Inhalt

Einleitung.....	19	Fehlersuche.....	32
Sicherheit.....	21	Transport, Lagerung und Entsorgung.....	33
Betrieb.....	27	Technische Daten.....	34
Wartung.....	29	Konformitätserklärung.....	36

Einleitung

Gerätebeschreibung

Das Gerät ist eine Bodenfräse. BMP 265 wird von einem Elektromotor und betrieben und BMP 265Petrol wird von einem Verbrennungsmotor betrieben.

Verwendungszweck

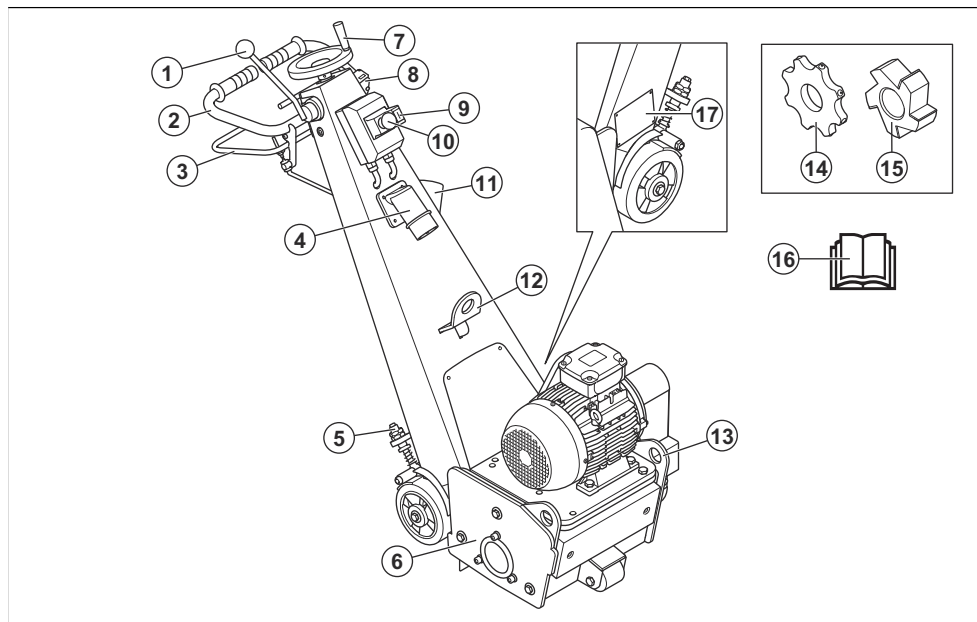
Das Gerät wird verwendet, um Oberflächen aufzurauen und um Betonschichten und Straßenmarkierungen zu

entfernen. Das Gerät kann auf Oberflächen wie Beton, Asphalt, Stein und Stahl eingesetzt werden.

Das Gerät ist für den gewerblichen Betrieb und für professionelle Bediener vorgesehen.

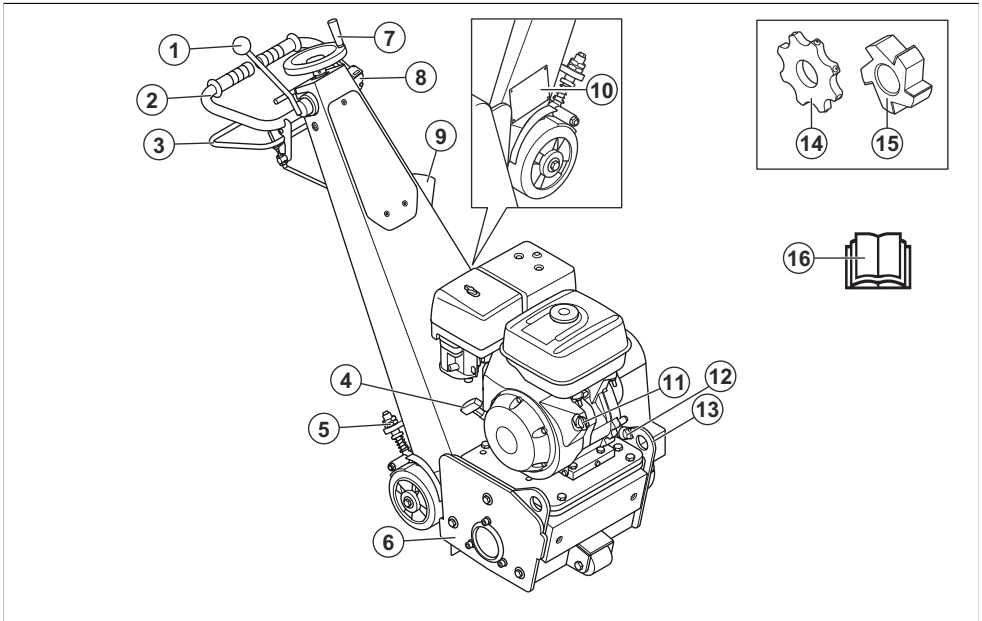
Verwenden Sie das Gerät nicht für andere Aufgaben.

Geräteübersicht BMP 265



- | | |
|--|---------------------------------|
| 1. Hubhebel | 10. Not-Aus-Taste |
| 2. Handgriff | 11. Anschluss für Staubabsauger |
| 3. Bremsgriff | 12. Hebeöse |
| 4. Stromanschluss | 13. Hebeöse |
| 5. Schraube zum Einstellen des Bremsdrucks | 14. Klinge |
| 6. Seitenabdeckung | 15. Fräsen |
| 7. Tiefeneinstellrad | 16. Bedienungsanleitung |
| 8. Bedienerpräsenzsteuerung (OPC) | 17. Typenschild |
| 9. Start-Taste | |

Geräteübersicht BMP 265Petrol



1. Hubhebel
2. Handgriff
3. Bremsgriff
4. Startseilgriff
5. Schraube zum Einstellen des Bremsdrucks
6. Seitenabdeckung
7. Tiefeneinstellrad
8. Bedienerpräsenzsteuerung (OPC)
9. Anschluss für Staubabsauger
10. Typenschild
11. ON/OFF-Schalter für den Motor
12. Öltankdeckel
13. Hebeöse
14. Klinge
15. Fräsen
16. Bedienungsanleitung



Hochspannung.



Halten Sie alle Körperteile von heißen Oberflächen fern.



Aufnahmepunkt.



Lesen Sie die Bedienungsanleitung sorgfältig durch, und machen Sie sich mit den Anweisungen vertraut, bevor Sie das Gerät verwenden.

Symbole auf dem Gerät



Warnung: Dieses Gerät kann gefährlich sein und schwere oder tödliche Verletzungen des Bedieners oder anderer Personen verursachen. Gehen Sie vorsichtig vor, und verwenden Sie das Gerät ordnungsgemäß.



Tragen Sie einen zugelassenen Atemschutz.



Tragen Sie einen zugelassenen Gehörschutz.



Tragen Sie einen zugelassenen Augenschutz.



Tragen Sie zugelassene Schutzhandschuhe.



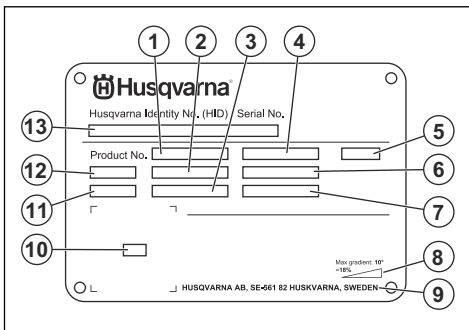
Tragen Sie zugelassene Schutzstiefel.



Dieses Gerät entspricht den geltenden EU-Richtlinien.

Hinweis: Sonstige Symbole/Aufkleber auf dem Gerät beziehen sich auf spezielle Zertifizierungsanforderungen, die in bestimmten Ländern gelten.

Typenschild



1. Gerätenummer
2. Gerätegewicht
3. Nennleistung
4. Nennspannung
5. Gehäuse
6. Nennstrom
7. Häufigkeit
8. Maximaler Neigungswinkel
9. Hersteller
10. Scanbarer Code
11. Baujahr
12. Modell
13. Seriennummer

Produkthaftung

Im Sinne der Produkthaftungsgesetze übernehmen wir keine Haftung für Schäden, die unser Gerät verursacht, wenn...

- das Gerät nicht ordnungsgemäß repariert wird.
- das Gerät mit Teilen repariert wird, die nicht vom Hersteller stammen oder nicht vom Hersteller zugelassen sind.
- ein Zubehörteil mit dem Gerät verwendet wird, das nicht vom Hersteller stammt oder nicht vom Hersteller zugelassen ist.
- das Gerät nicht bei einem zugelassenen Service Center oder von einem zugelassenen Fachmann repariert wird.

Sicherheit

Sicherheitsdefinitionen

Warnungen, Vorsichtsmaßnahmen und Hinweise werden verwendet, um auf besonders wichtige Teile der Bedienungsanleitung hinzuweisen.



WARNUNG: Wird verwendet, wenn bei Nichtbeachtung der Anweisungen in diesem Handbuch die Gefahr von Verletzung oder Tod des Bedieners oder anderer Personen besteht.



ACHTUNG: Wird verwendet, wenn bei Nichtbeachtung der Anweisungen in diesem Handbuch die Gefahr von Schäden am

Gerät, an anderen Materialien oder in der Umgebung besteht.

Hinweis: Für weitere Informationen, die in bestimmten Situationen nötig sind.

Allgemeine Sicherheitshinweise



WARNUNG: Lesen Sie die folgenden Warnhinweise, bevor Sie das Gerät benutzen.

- Dieses Gerät ist ein gefährliches Werkzeug, wenn Sie nicht aufpassen oder es unsachgemäß verwenden. Dieses Gerät kann schwere oder

tödliche Verletzungen des Bedieners oder anderer Personen verursachen. Es ist sehr wichtig, dass Sie vor der Anwendung des Geräts den Inhalt dieser Bedienungsanleitung gelesen und verstanden haben.

- Bewahren Sie alle Warn- und Sicherheitshinweise auf.
- Halten Sie alle geltenden Gesetze und Vorschriften ein.
- Der Bediener und dessen Arbeitgeber müssen die mit dem Betrieb des Geräts verbundenen Gefahren kennen und vermeiden.
- Untersagen Sie allen Personen die Benutzung des Geräts, bis diese den Inhalt der Bedienungsanleitung gelesen und verstanden haben.
- Verwenden Sie das Gerät nicht, ohne vorher dafür geschult worden zu sein. Stellen Sie sicher, dass alle Bediener Schulungen erhalten.
- Lassen Sie nicht zu, dass Kinder das Gerät verwenden.
- Es dürfen nur zugelassene Personen mit dem Gerät arbeiten.
- Der Bediener ist für Unfälle verantwortlich, die anderen Personen zustoßen oder an deren Eigentum entstehen.
- Verwenden Sie das Gerät nicht, wenn Sie müde oder krank sind oder unter Einfluss von Alkohol, Drogen oder Medikamenten stehen.
- Lassen Sie immer Vorsicht walten, und arbeiten Sie mit gesundem Menschenverstand.
- Dieses Gerät erzeugt beim Betrieb ein elektromagnetisches Feld. Dieses Feld kann sich unter bestimmten Bedingungen auf die Funktionsweise aktiver oder passiver medizinischer Implantate auswirken. Um die Gefahr von Situationen, die zu schweren oder tödlichen Verletzungen führen können, zu verringern, sollten Personen mit einem medizinischen Implantat vor der Nutzung dieses Gerätes mit ihrem Arzt und dem Hersteller des Implantats sprechen.
- Halten Sie das Gerät sauber. Stellen Sie sicher, dass Symbole und Aufkleber deutlich lesbar sind.
- Verwenden Sie das Gerät nicht, wenn es defekt ist.
- Nehmen Sie keine Modifikationen am Gerät vor.
- Bedienen Sie das Gerät nicht, wenn die Möglichkeit besteht, dass andere Personen Modifikationen daran durchgeführt haben.

Kreislauf- oder Nervenschäden verursachen. Suchen Sie einen Arzt auf, wenn Sie an Ihrem Körper Symptome feststellen, die darauf hinweisen, dass Sie zu starken Vibrationen ausgesetzt waren. Zu diesen Symptomen zählen beispielsweise Einschlafen von Körperteilen, Gefühlsverlust, Kitzeln, Stechen, Schmerz, Verlust oder Beeinträchtigung der normalen Körperkraft, Veränderungen der Hautfarbe oder der Hautbeschaffenheit. Diese Beschwerden treten normalerweise in den Fingern, Händen und Handgelenken auf.

- Bedienen Sie das Gerät nicht, ohne dass alle Schutzabdeckungen montiert sind.
- Stellen Sie sicher, dass Sie wissen, wie der Motor in einem Notfall schnell gestoppt werden kann.
- BMP 265: Bevor Sie sich vom Gerät entfernen, stoppen Sie den Motor, und ziehen Sie das Netzkabel ab. Stellen Sie sicher, dass versehentliches Starten verhindert wird.
- BMP 265Petrol: Stellen Sie den Motor ab, bevor Sie sich vom Gerät entfernen. Stellen Sie sicher, dass versehentliches Starten verhindert wird.
- Achten Sie darauf, dass sich Kleidung, langes Haar und Schmuck nicht in beweglichen Teilen verfangen können
- Stellen Sie sicher, dass Sie während der Arbeit eine sichere und stabile Position einnehmen.
- Bedienen Sie das Gerät nur auf horizontalen Flächen.
- Bedienen Sie das Gerät nur dann, wenn Sie bei einem Unfall Hilfe bekommen können
- Verwenden Sie immer zugelassenes Zubehör. Ihr Husqvarna-Händler steht Ihnen gern für weitere Informationen zur Verfügung.
- Wenn Vibrationen im Gerät auftreten oder es ungewöhnlich laut ist, stoppen Sie es umgehend. Untersuchen Sie das Gerät auf beschädigte Teile. Reparieren Sie Schäden, oder lassen Sie eine zugelassene Servicewerkstatt die Reparatur durchführen.
- Schließen Sie das Gerät zur Entfernung des Staubs an einen Staubabsauger an.
- Ziehen Sie nicht am Schlauch des Staubabsaugers. Das Gerät kann herunterfallen und Verletzungen oder Schäden verursachen.
- Lassen Sie den Staubabsauger eingeschaltet, bis der Motor ganz zum Stillstand gekommen ist.
- Stellen Sie sicher, dass die Frästrommel die Oberfläche nicht berührt, wenn Sie das Gerät starten.
- BMP 265: Überprüfen Sie die Drehrichtung des Motors. Ein Pfeil auf dem Motorgehäuse zeigt die richtige Richtung des Motors an.
- Bedienen Sie das Gerät nur von hinten mit Ihren Händen am Handgriff.
- Achten Sie darauf, dass sich auf den Handgriffen kein Fett oder Öl befindet.

Sicherheitshinweise für den Betrieb



WARNUNG: Lesen Sie die folgenden Warnhinweise, bevor Sie das Gerät verwenden.

- Tragen Sie eine persönliche Schutzausrüstung. Siehe *Persönliche Schutzausrüstung auf Seite 24*.
- Eine übermäßige Belastung durch Vibrationen kann bei Personen mit verminderter Durchblutung

- Halten Sie die zwei Räder des Geräts bei Betrieb immer auf dem Boden.

Vibrationen Sicherheit



WARNUNG: Lesen Sie die folgenden Warnhinweise, bevor Sie das Produkt benutzen.

- Beim Betrieb des Geräts kommt es zu Vibrationen, die vom Gerät auf den Anwender übertragen werden. Regelmäßiger und häufiger Betrieb des Geräts kann zu Verletzungen des Anwenders führen oder Symptome verstärken. Es kann zu Verletzungen an Fingern, Händen, Handgelenken, Armen, Schultern und/oder Nerven sowie bei der Blutversorgung oder an anderen Körperteilen kommen. Die Verletzungen können hinderlich und/oder chronisch werden und sich allmählich über Wochen, Monate oder Jahre hinweg verstärken. Zu möglichen Verletzungen können Schäden am Blutkreislauf, am Nervensystem, an Gelenken und anderen Körperteilen gehören.
- Symptome können während des Betriebs des Geräts oder zu einem anderen Zeitpunkt auftreten. Wenn Sie bereits Symptome haben und das Gerät weiter bedienen, können sich die Symptome verstärken oder chronisch werden. Wenn Sie diese oder andere Symptome an sich bemerken, wenden Sie sich an einen Arzt:
 - Taubheit, Gefühlsverlust, Kribbeln, Stechen, Schmerz, Brennen, Pochen, Steifheit, Schwerfälligkeit, Verlust von Kraft, Veränderungen an Hautfarbe oder Hautzustand.
- Bei niedrigen Temperaturen können sich die Symptome verstärken. Tragen Sie warme Kleidung und halten Sie Ihre Hände warm und trocken, wenn Sie das Gerät in kalten Umgebungen betreiben.
- Warten und betreiben Sie das Gerät gemäß den Anweisungen der Bedienungsanleitung, um einen vorschriftsmäßigen Vibrationspegel sicherzustellen.
- Das Gerät verfügt über ein Antivibrationssystem, das die Vibrationen an den Griffen für den Bediener reduziert. Lassen Sie das Gerät die Arbeit verrichten. Drücken Sie das Gerät nicht mit Kraft. Halten Sie das Produkt leicht an den Griffen fest, aber stellen Sie sicher, dass Sie es kontrollieren und sicher bedienen. Drücken Sie das Gerät nicht häufiger als nötig in die Endanschläge.
- Platzieren Sie Ihre Hände nur auf dem Griff bzw. den Griffen. Halten Sie alle anderen Körperteile vom Gerät fern.
- Stoppen Sie das Gerät sofort, wenn plötzlich starke Vibrationen auftreten. Setzen Sie den Betrieb erst fort, wenn die Ursache für die gesteigerten Vibrationen beseitigt wurde.

Staubtechnische Sicherheit



WARNUNG: Lesen Sie die folgenden Warnhinweise, bevor Sie das Gerät verwenden.

- Der Betrieb des Geräts kann Staub in der Luft verursachen. Staub kann ernsthafte Verletzungen und permanente Gesundheitsprobleme verursachen. Silikatstaub wurde von verschiedenen Behörden als schädlich eingestuft. Dies sind Beispiele für derartige Gesundheitsprobleme:
 - Die tödlichen Lungenkrankheiten chronische Bronchitis, Silikose und Lungenfibrose
 - Krebs
 - Angeborene Fehlbildungen
 - Hautentzündung
- Verwenden Sie eine angemessene Ausstattung, um die Menge von Staub und Dämpfen in der Luft und den Staub auf Arbeitsgeräten, Oberflächen, Kleidung und Körperteilen zu verringern. Beispiele dafür sind Staubsammelanlagen und Wassernebel zum Binden des Staubs. Reduzieren Sie den Staub an der Quelle, falls möglich. Stellen Sie sicher, dass die Ausstattung korrekt montiert ist und verwendet wird und dass sie regelmäßig gewartet wird.
- Tragen Sie einen zugelassenen Atemschutz. Stellen Sie sicher, dass der Atemschutz für die gefährlichen Materialien im Arbeitsbereich geeignet ist.
- Stellen Sie sicher, dass der Arbeitsbereich ausreichend belüftet ist.
- Falls möglich, richten Sie den Auspuff des Geräts dahin, wo er keinen Staub in der Luft verursachen kann.

Lärm – Sicherheit



WARNUNG: Lesen Sie die folgenden Warnhinweise, bevor Sie das Gerät benutzen.

- Ein hoher Geräuschpegel und Lärmbelastung über einen langen Zeitraum können zu lärmbedingten Hörschäden führen.
- Um den Geräuschpegel auf einem Minimum zu halten, warten und betreiben Sie das Gerät gemäß den Anweisungen der Bedienungsanleitung.
- Tragen Sie einen zugelassenen Gehörschutz beim Arbeiten mit dem Gerät.
- Beachten Sie Warnsignale und Stimmen, wenn Sie einen Gehörschutz tragen. Entfernen Sie den Gehörschutz, wenn das Gerät ausgeschaltet wird, es sei denn, er ist bei dem Geräuschpegel in Ihrem Arbeitsbereich erforderlich.

Abgase – Sicherheit



WARNUNG: Lesen Sie die folgenden Warnhinweise, bevor Sie das Produkt benutzen.

- Die Abgase des Motors enthalten Kohlenmonoxid – ein geruchloses, giftiges und sehr gefährliches Gas. Das Einatmen von Kohlenmonoxid kann tödlich sein. Da Kohlenmonoxid geruchs- und farblos ist, kann es nicht wahrgenommen werden. Bei einer Kohlenmonoxidvergiftung kann es zu Schwindelsymptomen kommen, aber es ist auch möglich, dass eine Person ohne Vorwarnung bewusstlos wird, wenn die Menge oder Konzentration an Kohlenmonoxid dafür hoch genug ist.
- Abgase enthalten auch unverbrannte Kohlenwasserstoffe einschließlich Benzen. Das Einatmen über einen längeren Zeitraum kann zu gesundheitlichen Problemen führen.
- Abgase, die Sie sehen oder riechen können, enthalten auch Kohlenmonoxid.
- Verwenden Sie ein Gerät mit Verbrennungsmotor nicht in Innenräumen oder in Bereichen ohne ausreichende Luftzufuhr.
- Atmen Sie die Abgase nicht ein.
- Stellen Sie sicher, dass der Arbeitsbereich ausreichend belüftet ist. Das ist besonders wichtig, wenn Sie das Gerät in Gräben oder anderen engen Arbeitsbereichen verwenden, wo sich Abgase leicht sammeln können.

Persönliche Schutzausrüstung



WARNUNG: Lesen Sie die folgenden Warnhinweise, bevor Sie das Gerät verwenden.

- Verwenden Sie stets die vorgeschriebene persönliche Schutzausrüstung bei der Bedienung des Geräts. Die persönliche Schutzausrüstung kann Verletzungen nicht vollständig vermeiden, vermindert aber den Umfang der Verletzungen und Schäden bei einem Unfall. Lassen Sie sich bei der Auswahl der korrekten persönlichen Schutzausrüstung von Ihrem Händler beraten.
- Überprüfen Sie regelmäßig den Zustand der persönlichen Schutzausrüstung.
- Verwenden Sie einen zugelassenen Schutzhelm.
- Tragen Sie einen zugelassenen Gehörschutz.
- Tragen Sie einen zugelassenen Atemschutz.
- Tragen Sie einen zugelassenen Augenschutz mit seitlicher Abschirmung.
- Tragen Sie stets Schutzhandschuhe.
- Tragen Sie Stiefel mit Stahlkappe und rutschfester Sohle.

- Tragen Sie zugelassene Arbeitskleidung oder gleichwertige, eng anliegende Kleidung mit langen Ärmeln und langen Hosenbeinen.

Feuerlöscher

- Halten Sie in der Nähe des Arbeitsbereichs einen Feuerlöscher griffbereit.
- Verwenden Sie einen Pulver-Feuerlöscher oder einen Kohlendioxid-Feuerlöscher.

Sicherheit im Arbeitsbereich



WARNUNG: Lesen Sie die folgenden Warnhinweise, bevor Sie das Gerät verwenden.

- Verwenden Sie das Gerät nicht bei Nebel, Regen, starkem Wind, kaltem Wetter, Gewittergefahr oder anderen schlechten Wetterbedingungen.
- Verwenden Sie das Gerät nicht in Bereichen, in denen Feuer oder Explosionen auftreten können.
- Achten Sie darauf, dass sich Kinder, umstehenden Personen und Tiere nicht im Arbeitsbereich aufhalten und in einem sicheren Abstand zum Gerät befinden.
- Stellen Sie sicher, dass sich nur befugte Personen im Arbeitsbereich befinden.
- Achten Sie auf einen sauberen und ausreichend hellen Arbeitsbereich.
- Entfernen Sie Objekte wie Schrauben, Bolzen, Kabel und Steine aus dem Arbeitsbereich, bevor Sie das Gerät verwenden.
- Stellen Sie sicher, dass sich keine Kabel oder Schläuche in der Betriebsrichtung des Geräts befinden.
- Achten Sie im Arbeitsbereich auf eine ausreichende Belüftung.

Elektrische Sicherheit



WARNUNG: Bei elektrisch angetriebenen Geräten besteht immer die Gefahr von elektrischen Schlägen. Verwenden Sie das Gerät nicht bei schlechtem Wetter. Berühren Sie keine Blitzableiter und Metallgegenstände. Verwenden Sie das Gerät immer gemäß den in diesem Betriebshandbuch hinterlegten Anweisungen, um Verletzungen zu vermeiden.



WARNUNG: Verwenden Sie stets eine Stromversorgung mit Fehlerstromgerät (RCD). Durch ein RCD wird das Risiko von Stromschlägen verringert.



WARNUNG: Hochspannung. Das Antriebsaggregat enthält ungeschützte Teile. Trennen Sie immer den Netzstecker, bevor Sie die Klappe des Schaltkastens öffnen.



ACHTUNG: Die Stromversorgung aus dem Gerät oder vom Generator muss ausreichend und konstant sein, um einen störungsfreien Betrieb des Motors sicherzustellen. Eine falsche Spannung führt dazu, dass der Stromverbrauch und die Temperatur des Motors ansteigen, bis der Sicherheitskreis ausgelöst wird. Die Auslegung des Netzkabels muss mit den nationalen und lokalen Vorschriften übereinstimmen. Die Auslegung der Netzsteckdose muss mit der Stromstärke der Steckdose und des Verlängerungskabels des Geräts übereinstimmen.

Wenn das Stromnetz einen höheren Systemwiderstand aufweist, kann beim Starten des Geräts die Spannung kurzzeitig abfallen. Dies kann den Betrieb anderer Geräte beeinflussen, z. B. ein Flackern des Lichts verursachen.

- Kontrollieren Sie, ob die Leistung, die Sicherung und die Netzspannung mit dem entsprechenden Spannungswert auf dem Typenschild des Geräts übereinstimmen.
- Schalten Sie das Gerät immer aus, bevor Sie den Netzstecker ziehen.
- Verwenden Sie das Gerät nicht, wenn Kabel oder Stecker beschädigt sind. Übergeben Sie es zur Reparatur an ein autorisiertes Kundendienstzentrum. Ein beschädigtes Netzkabel kann zu schweren und tödlichen Verletzungen führen.
- Verwenden Sie das Netzkabel nach Vorschrift. Verwenden Sie das Netzkabel nicht, um das Gerät zu verschieben, zu ziehen oder von der Netzspannung zu trennen. Ziehen Sie direkt am Stecker, um das Netzkabel abziehen. Ziehen Sie nicht am Netzkabel.
- Betreiben Sie das Gerät nicht in einer Wassertiefe, in der die Ausstattung des Geräts nass wird. Die Ausstattung kann beschädigt werden, und das Gerät kann durch führende Spannung Verletzungen verursachen.
- Achten Sie darauf, dass nicht mehr Feuchtigkeit in das Gerät gelangt, als durch das Wassersystem eingespeist wird. Halten Sie das Gerät von Regen fern. Wasser, das in das Gerät eindringt, erhöht das Risiko eines elektrischen Schlags.
- Achten Sie immer darauf, dass das Netzkabel getrennt ist, wenn Sie den Stecker des Motorkabels und des Schaltkastens ein- oder ausstecken.

Anweisungen für geerdete Geräte



WARNUNG: Ein falscher Anschluss kann zu einem Stromschlag führen. Wenden Sie sich an einen qualifizierten Elektriker, wenn Sie Zweifel daran haben, ob die Netzsteckdose richtig geerdet ist.

Nehmen Sie keine Modifikationen am Netzstecker vor. Dieser muss den Werksspezifikationen entsprechen. Wenn der Netzstecker oder das Netzkabel beschädigt ist oder ersetzt werden muss, wenden Sie sich an Ihre Husqvarna Servicewerkstatt. Beachten Sie die vor Ort geltenden Vorschriften und Gesetze.

Wenden Sie sich an einen qualifizierten Elektriker, wenn Sie die Anweisungen hinsichtlich des geerdeten Geräts nicht vollständig verstehen.

Verwenden Sie nur geerdete Verlängerungskabel für den Außenbereich mit Erdungssteckern und einer Erdungssteckdose, die für den Netzstecker des Geräts geeignet ist.

Das Gerät verfügt über einen geerdeten Netzstecker. Schließen Sie das Gerät immer an eine geerdete Steckdose an. Dadurch verringert sich die Gefahr eines elektrischen Schlags, wenn eine Störung vorliegt.

Verwenden Sie keine elektrischen Adapter am Gerät.

Verlängerungskabel

- Verwenden Sie nur zugelassene Verlängerungskabel mit ausreichender Länge.
- Der Nennwert auf dem Verlängerungskabel muss dem auf dem Typenschild des Geräts angegebenen Wert entsprechen oder höher sein.
- Verwenden Sie Schuko-Verlängerungskabel.
- Wenn Sie das Gerät im Freien benutzen, verwenden Sie ein für den Außeneinsatz geeignetes Verlängerungskabel. Dadurch wird das Risiko von Stromschlägen verringert.
- Achten Sie darauf, dass die Verbindung mit dem Verlängerungskabel trocken ist und keinen Bodenkontakt hat.
- Halten Sie das Verlängerungskabel fern von Hitzequellen, Öl, scharfen Kanten und beweglichen Teilen. Ein beschädigtes Kabel erhöht das Risiko eines Stromschlags.
- Stellen Sie sicher, dass sich das Verlängerungskabel in einem guten Zustand befindet und unbeschädigt ist.
- Verwenden Sie das Verlängerungskabel nicht im aufgewickelten Zustand. Dies kann dazu führen, dass das Verlängerungskabel zu heiß wird.
- Vergewissern Sie sich, dass sich das Verlängerungskabel hinter Ihnen und dem Gerät befindet, wenn Sie mit dem Gerät arbeiten. Dadurch

wird eine Beschädigung des Verlängerungskabels vermieden.

Sicherheitsvorrichtungen am Gerät



WARNUNG: Lesen Sie die folgenden Warnhinweise, bevor Sie das Gerät benutzen.

- Benutzen Sie kein Gerät mit defekten Sicherheitsvorrichtungen.
- Führen Sie regelmäßig eine Überprüfung der Sicherheitsvorrichtungen durch. Wenn die Sicherheitsvorrichtungen defekt sind, wenden Sie sich an Ihre Husqvarna-Servicewerkstatt.

Radbremsen

Der Bremshebel steuert die Radbremsen. Die Bremsen werden aktiviert, wenn sich der Bremsgriff in Neutralstellung befindet. Die Bremsen werden gelöst, wenn der Bremsgriff in Richtung des Griffs gezogen wird.

So kontrollieren Sie die Radbremsen

1. Das Gerät starten. Siehe *So starten Sie das Gerät auf Seite 28*.
2. Stellen Sie sicher, dass sich das Gerät nicht bewegt. Wenn sich das Gerät bewegt, stellen Sie den Bremsdruck ein. Siehe [xref].

Bedienerpräsenzsteuerung (OPC) BMP 265

Wenn die OPC aktiviert wird, stoppt der Motor. Siehe *So prüfen Sie die OPC BMP 265 auf Seite 26*.

So prüfen Sie die OPC BMP 265

1. Das Gerät starten. Siehe *So starten Sie das Gerät auf Seite 28*.
2. Ziehen Sie die OPC heraus, siehe *Bedienerpräsenzsteuerung (OPC) BMP 265 auf Seite 26*. Wenn der Motor innerhalb von 3 Sekunden nicht stoppt, wenden Sie sich an eine autorisierte Husqvarna Servicewerkstatt.

Not-Aus-Taste BMP 265

Mit der Not-Aus-Taste kann der Motor schnell abgestellt werden. Mit der Not-Aus-Taste können Sie die Stromzufuhr von der Netzsteckdose unterbrechen. Unter *Geräteübersicht BMP 265 auf Seite 19* finden Sie Informationen darüber, wo sich die Not-Aus-Taste an Ihrem Gerät befindet.

So führen Sie eine Prüfung der Not-Aus-Taste durch BMP 265

Unter *Geräteübersicht BMP 265 auf Seite 19* finden Sie Informationen darüber, wo sich die Not-Aus-Taste an Ihrem Gerät befindet.

1. Drehen Sie die Not-Aus-Taste im Uhrzeigersinn, um sicherzustellen, dass die Not-Aus-Taste deaktiviert ist.
2. Das Gerät starten. Siehe *So starten Sie das Gerät auf Seite 28*.
3. Drücken Sie die Not-Aus-Taste.
4. Vergewissern Sie sich, dass der Motor vollständig zum Stillstand gekommen ist.
5. Drehen Sie die Not-Aus-Taste im Uhrzeigersinn, um sie zu deaktivieren.

Ein-/Ausschalter für den Motor BMP 265Petro

Der Motor startet nicht, wenn der Ein-/Ausschalter auf „EIN“ gestellt wird. Der Motor stoppt, wenn Sie den Ein-/Ausschalter für den Motor auf „AUS“ stellen.

So prüfen Sie den Ein-/Ausschalter für den Motor

1. Starten Sie den Motor. Siehe *So starten Sie das Gerät auf Seite 28*.
2. Stellen Sie den Ein-/Ausschalter für den Motor auf „AUS“. Der Motor stoppt.

Seitenabdeckung

Die Seitenabdeckung hält Staub und Partikel vom Bediener fern.

So prüfen Sie die Seitenabdeckung

- Stellen Sie sicher, dass die Bohrungen in der Seitenabdeckung nicht verschlunnen sind und dass die Schrauben fest angezogen sind.

Sicherer Umgang mit Kraftstoff



WARNUNG: Lesen Sie die folgenden Warnhinweise, bevor Sie das Gerät benutzen.

- Kraftstoff ist feuergefährlich; durch die ausströmenden Dämpfe besteht Explosionsgefahr. Um Verletzungen, Feuer oder Explosionen zu vermeiden, seien Sie beim Umgang mit Kraftstoff vorsichtig.
- Atmen Sie die Kraftstoffdämpfe nicht ein. Die Kraftstoffdämpfe sind giftig und können Verletzungen verursachen. Achten Sie auf ausreichende Belüftung.
- Entfernen Sie nicht den Tankdeckel oder füllen den Kraftstofftank, wenn der Motor eingeschaltet ist.
- Lassen Sie den Motor vor dem Auftanken abkühlen.
- Füllen Sie Kraftstoff nicht in geschlossenen Räumen auf. Eine mangelhafte Luftzirkulation kann zu schweren oder tödlichen Verletzungen durch Ersticken oder eine Kohlenmonoxidvergiftung führen.
- Rauchen Sie nicht in der Nähe des Kraftstoffs oder des Motors.

- Stellen Sie keine heißen Gegenstände in der Nähe des Kraftstoffs oder des Motors ab.
- Füllen Sie Kraftstoff nicht in der Nähe von Funken oder Feuer ein.
- Öffnen Sie vor dem Nachfüllen den Tankdeckel langsam und lassen Sie den Druck vorsichtig entweichen.
- Kraftstoff auf der Haut kann Verletzungen verursachen. Wenn Kraftstoff auf Ihre Haut gelangt, waschen Sie diesen mit Wasser und Seife ab.
- Wechseln Sie sofort die Kleidung, wenn Sie Kraftstoff darauf verschütten.
- Füllen Sie den Kraftstofftank nicht vollständig auf. Durch Hitze dehnt sich der Kraftstoff aus. Lassen Sie deshalb einen Freiraum im oberen Bereich des Kraftstofftanks.
- Schrauben Sie den Kraftstofftankdeckel fest zu. Wenn der Tankverschluss nicht fest zugeschraubt ist, besteht Feuergefahr.
- Bevor Sie das Gerät starten, entfernen Sie es mindestens 3 m vom Auffüllort.
- Starten Sie das Gerät nicht, wenn sich Kraftstoff oder Öl darauf befindet. Entfernen Sie Kraftstoff oder Motoröl an unerwünschten Stellen vom Gerät und lassen Sie das Gerät trocknen, bevor Sie den Motor starten.
- Überprüfen Sie den Motor regelmäßig auf Undichtigkeiten. Starten Sie den Motor bei einer Leckage im Kraftstoffsystem nicht, bis die Undichtigkeiten repariert werden.
- Suchen Sie den Motor nicht mit den Händen nach Undichtigkeiten ab.
- Bewahren Sie Kraftstoff nur in zugelassenen Behältern auf.
- Wenn Sie das Gerät und den Kraftstoff lagern, stellen Sie sicher, dass Kraftstoff und Kraftstoffdämpfe keinen Schaden verursachen können.
- Leeren Sie den Kraftstoff im Freien und abseits von Feuer und Funken in einen für Kraftstoff zugelassenen Behälter.
- Tragen Sie eine persönliche Schutzausrüstung. Siehe *Persönliche Schutzausrüstung auf Seite 24*.
- Führen Sie nur Wartungsarbeiten durch, die gemäß dieser Betriebsanleitung vorgegeben sind. Lassen Sie alle anderen Wartungsarbeiten von einer autorisierten Servicewerkstatt durchführen.
- Wenn die Wartung nicht ordnungsgemäß und regelmäßig erfolgt, erhöhen sich die Verletzungsgefahr und das Risiko für eine Beschädigung des Geräts.
- Reinigen Sie das Gerät, und entfernen Sie gefährliches Material vor der Wartung.
- Halten Sie das Gerät an, bevor Sie die Wartung durchführen, und vermeiden Sie einen versehentlichen Start:
 - BMP 265: Stellen Sie den Motor ab, ziehen Sie die Bedienerpräsenzsteuerung heraus, und trennen Sie den Netzstecker.
 - BMP 265Petrol: Stoppen Sie den Motor und ziehen Sie die Bedienerpräsenzsteuerung heraus.
- Führen Sie die Wartung des Geräts auf einem stabilen, ebenen Untergrund durch.
- Nehmen Sie keine Modifikationen am Gerät vor. Veränderungen am Gerät, die vom Hersteller nicht genehmigt wurden, können zu schweren Verletzungen oder zum Tod führen.
- Ersetzen Sie beschädigte, verschlissene oder defekte Teile.
- Verwenden Sie immer Originalersatzteile und Originalzubehör. Zubehör und Ersatzteile, die vom Hersteller nicht genehmigt wurden, können zu schweren Verletzungen oder zum Tod führen.
- Führen Sie nach der Wartung eine Überprüfung des Vibrationswerts im Gerät durch. Wenn er nicht korrekt ist, wenden Sie sich an eine autorisierte Servicewerkstatt.
- Lassen Sie das Gerät regelmäßig von einer autorisierten Servicewerkstatt warten.

Sicherheitshinweise für die Wartung



WARNUNG: Lesen Sie die folgenden Warnhinweise, bevor Sie das Gerät verwenden.

Betrieb

Einleitung



WARNUNG: Vor dem Betrieb des Gerätes müssen Sie die Sicherheitsinformationen lesen und verstehen.

Bevor Sie das Gerät bedienen

1. Lesen Sie die Bedienungsanleitung sorgfältig durch, und stellen Sie sicher, dass Sie die Anweisungen verstehen.

2. BMP 265Petrol: Lesen Sie die Bedienungsanleitung für den Verbrennungsmotor sorgfältig durch, und vergewissern Sie sich, dass Sie die Anweisungen verstanden haben.
3. Lesen Sie die Bedienungsanleitung für den Staubabsauger sorgfältig durch, und vergewissern Sie sich, dass Sie die Anweisungen verstanden haben.
4. Tragen Sie eine persönliche Schutzausrüstung. Siehe *Persönliche Schutzausrüstung auf Seite 24*.
5. Stellen Sie sicher, dass sich nur befugte Personen im Arbeitsbereich befinden.
6. Warten Sie das Gerät täglich. Siehe *Wartungsplan auf Seite 29*.
7. Stellen Sie sicher, dass das Gerät korrekt zusammengebaut und unbeschädigt ist.
8. Stellen Sie das Gerät in den Arbeitsbereich. Stellen Sie sicher, dass die Oberfläche waagrecht ist. Stellen Sie sicher, dass der Transport des Geräts zum und im Arbeitsbereich sicher und ordnungsgemäß erfolgt. Siehe *Transport auf Seite 33*.
9. Stellen Sie sicher, dass die Frästrommel nicht auf den Boden trifft.
10. Stellen Sie sicher, dass sich die Schneidwerkzeuge frei auf der Achse der Frästrommel bewegen können.
11. Schließen Sie einen Staubabsauger an das Gerät an. Siehe *So schließen Sie einen Staubabsauger an auf Seite 28*.
12. BMP 265: Schließen Sie das Gerät an eine Stromquelle an. Siehe *So schließen Sie das Gerät an die Stromversorgung an BMP 265 auf Seite 28*.
13. BMP 265Petrol: Den Kraftstofftank auffüllen Siehe *So füllen Sie Kraftstoff ein BMP 265Petrol auf Seite 28*.
14. BMP 265Petrol: Prüfen Sie den Ölstand. Weitere Anweisungen finden Sie in der Bedienungsanleitung des Verbrennungsmotors.
15. BMP 265: Prüfen Sie die Drehrichtung des Motors. Ein Pfeil auf dem Motorgehäuse zeigt die richtige Richtung des Motors an. Ändern Sie bei Bedarf die Drehrichtung des Motors. Siehe *So ändern Sie die Drehrichtung des Motors BMP 265 auf Seite 30*.

So schließen Sie einen Staubabsauger an



WARNUNG: Verwenden Sie den Staubabsauger nicht, wenn der Staubabsaugerschlauch beschädigt ist. In diesem Fall steigt das Risiko, dass Sie gesundheitsgefährdenden Staub einatmen. Tragen Sie einen zugelassenen Atemschutz.

1. Untersuchen Sie den Staubabsaugerschlauch auf Beschädigungen.
2. Stellen Sie sicher, dass die Filter im Staubabsauger sauber und unbeschädigt sind.
3. Schließen Sie den Staubabsaugerschlauch an den Anschluss für den Staubabsauger an. Unter *Technische Daten auf Seite 34* finden Sie Informationen darüber, wo sich der Anschluss für den Staubabsauger am Gerät befindet.

So schließen Sie das Gerät an die Stromversorgung an BMP 265

1. Verbinden Sie den Netzstecker des Geräts mit einem geeigneten Verlängerungskabel.
2. Stecken Sie den Netzstecker des Verlängerungskabels in eine Netzsteckdose.



ACHTUNG: Wenn das Gerät an einen Staubabsauger angeschlossen wird, muss der Staubabsauger an eine dreiphasige Stromversorgung angeschlossen werden.

So füllen Sie Kraftstoff ein BMP 265Petrol

Falls vorhanden, verwenden Sie schadstoffarmes Benzin/Alkylatbenzin. Wenn schadstoffarmes Benzin/Alkylatbenzin nicht verfügbar ist, verwenden Sie ein qualitativ hochwertiges, bleifreies Benzin oder verbleites Benzin mit einer Oktanzahl von mindestens 90.



ACHTUNG: Verwenden Sie kein Benzin mit einer geringeren Oktanzahl als 90 RON (87 AKI). Dadurch kann das Gerät beschädigt werden.

1. Öffnen Sie den Tankdeckel langsam, damit der Druck entweichen kann.
2. Füllen Sie langsam mit einem Kraftstoffkanister auf. Wenn Sie Kraftstoff verschütten, entfernen Sie ihn mit einem Tuch und lassen den verbleibenden Treibstoff trocknen.
3. Säubern Sie den Bereich rund um den Tankdeckel.
4. Schrauben Sie den Kraftstofftankdeckel fest zu. Wenn der Tankdeckel nicht fest zugeschraubt ist, besteht Feuergefahr.
5. Bewegen Sie das Gerät vor dem Starten mindestens 3 m (10 ft) von der Stelle fort, an der Sie den Tank befüllt hatten.

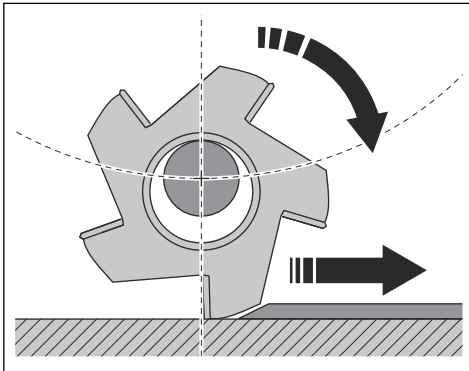
So starten Sie das Gerät

1. Stellen Sie sicher, dass sich der Hubhebel und das Tiefeneinstellrad in der oberen Position befinden.
2. Stellen Sie sicher, dass die Bremsen aktiviert sind.
3. Starten Sie den Staubabsauger.

4. Legen Sie das Kabel der Bedienerpräsenzsteuerung um das linke Handgelenk.
5. BMP 265Petrol: Stellen Sie den Ein-/Ausschalter für den Motor auf „ON“ (Ein).
6. Starten Sie das Gerät:
 - a) BMP 265: Drücken Sie die Start-Taste.
 - b) BMP 265Petrol: Ziehen Sie am Startseilgriff.
7. Senken Sie den Hubhebel langsam ab.
8. Drehen Sie das Tiefeneinstellrad im Uhrzeigersinn, bis die Frästiefe korrekt ist.
9. Ziehen Sie den Bremsgriff in Richtung des Handgriffs, um die Bremsen zu lösen und das Gerät vorwärts zu bewegen.

So bedienen Sie das Gerät

1. Halten Sie den Griff mit leichtem Druck, um sicherzustellen, dass die Hinterräder maximal haften.
2. Bewegen Sie das Gerät in parallelen Bahnen und stellen Sie sicher, dass sich der Staubschlauch und das Stromkabel am BMP 265 nicht verdrehen.
3. Stellen Sie sicher, dass das Schneidwerkzeug der Frästrommel den Boden durch Zentripetalkraft berührt.



4. Passen Sie die Geschwindigkeit an die Oberfläche an. Arbeiten Sie auf rauem Untergrund mit geringerer Geschwindigkeit.

So stoppen Sie das Gerät

1. Ziehen Sie den Hubhebel nach oben, und drehen Sie das Tiefeneinstellrad, bis die Frästrommel den Boden nicht mehr berührt.
2. Stoppen Sie das Gerät:
 - a) BMP 265: Drücken Sie die Not-Aus-Taste.
 - b) BMP 265Petrol: Stellen Sie den EIN-/AUS-Schalter auf AUS.
3. Stoppen Sie den Staubabsauger.
4. BMP 265: Ziehen Sie den Netzstecker aus der Steckdose.
5. Vergewissern Sie sich, dass alle beweglichen Teile angehalten wurden.

Wartung

Einleitung



WARNUNG: Bevor Sie eine Wartung durchführen, müssen Sie das Kapitel über die Sicherheit lesen und verstehen.

Für alle Wartungs- und Reparaturarbeiten am Produkt ist eine spezielle Schulung erforderlich. Wir garantieren die Verfügbarkeit von professionellen Reparaturen und Wartungsarbeiten. Wenn Ihr Händler keine Servicewerkstatt ist, sprechen Sie mit ihm, um Informationen über die nächste Servicewerkstatt zu erhalten.

Wartungsplan

* = Allgemeine Wartung durch den Bediener. Diese Anweisungen sind nicht in dieser Bedienungsanleitung enthalten.

X = Diese Anweisungen sind in dieser Bedienungsanleitung enthalten.

O = Diese Anweisungen sind nicht in dieser Bedienungsanleitung enthalten. Lassen Sie die Wartung von einer zugelassenen Servicewerkstatt durchführen.

Allgemeine Geräterwartung	Täglich	12 h nach Service	Jährlich
Das Gerät reinigen.	X		
Führen Sie eine Überprüfung aller Sicherheitsvorrichtungen durch.	X		
Vergewissern Sie sich, dass alle Muttern und Schrauben fest angezogen sind.	*	*	
Prüfen Sie die elektrischen Bauteile, Kabel und Anschlüsse auf Verschleiß und Schäden.	*		
Überprüfen Sie die Schlauchverbinder. Überprüfen Sie alle Schläuche am Gerät auf Schäden oder Undichtigkeiten.	*		
Stellen Sie sicher, dass die Staubschläuche nicht beschädigt oder verstopft sind.	*		
Stellen Sie sicher, dass der Staubabscheider leer und korrekt angeschlossen ist.	*		
Führen Sie eine vollständige Wartung und Reinigung des Geräts durch.			○
BMP 265: Stellen Sie sicher, dass der Netzstecker und das Verlängerungskabel sich in einem guten Zustand befinden und nicht beschädigt sind.	*		
BMP 265Petrol: Stellen Sie sicher, dass sich kein Öl- oder Kraftstoffleck gebildet hat.	*		

So reinigen Sie das Gerät

- Reinigen Sie immer die gesamte Ausstattung nach dem Gebrauch. Verwenden Sie einen Staubsauger.
- Reinigen Sie das Gerät nicht mit einem Hochdruckreiniger.
- Halten Sie die Luftöffnungen sauber und frei, um sicherzustellen, dass das Gerät immer eine ausreichend kühle Temperatur hat.
- Reinigen Sie die Werkzeugtrommel nach dem Betrieb auf feuchten Oberflächen.

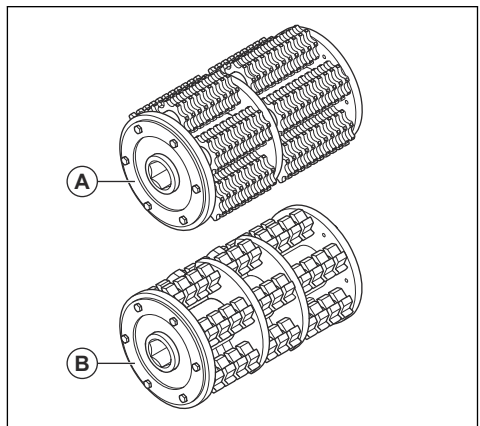
So ändern Sie die Drehrichtung des Motors BMP 265

1. Stoppen Sie den Motor. Siehe *So stoppen Sie das Gerät auf Seite 29*.
2. Warten Sie, bis das Gerät vollständig gestoppt wurde.
3. Ziehen Sie den Netzstecker aus der Steckdose.
4. Drehen Sie den Wechselrichterschalter am Netzstecker in die entgegengesetzte Position.

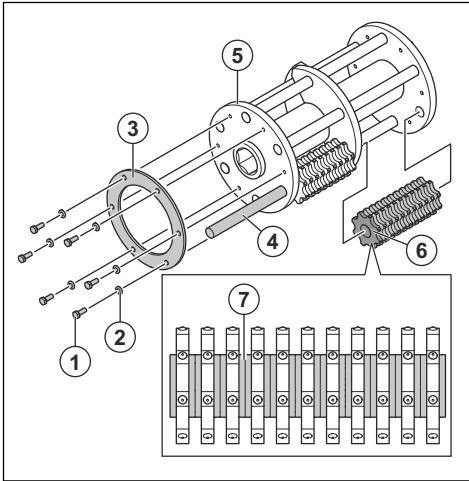
Frästrommel

Werkzeuge für die Frästrommel

Es gibt verschiedene Werkzeuge für die Frästrommel, Schneiden (A) und Fräsen (B). Die Werkzeuge sind für verschiedene Oberflächen geeignet.



Montage der Frästrommel



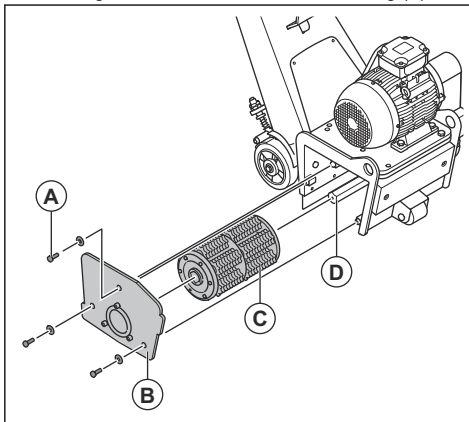
1. Sechskantschraube M6x16
2. M6 Federscheibe
3. Halteplatten
4. Achse
5. Frästrommel
6. Frässhlegel oder -messer
7. Distanzstück

So tauschen Sie die Frästrommel aus



WARNUNG: Stellen Sie sicher, dass alle beweglichen Teile vollständig zum Stillstand gekommen sind. Ziehen Sie den Schlüssel der OPC heraus.

1. Entfernen Sie die Schrauben (A) und die Unterlegscheiben von der Seitenabdeckung (B).



2. Entfernen Sie die Seitenabdeckung (B).

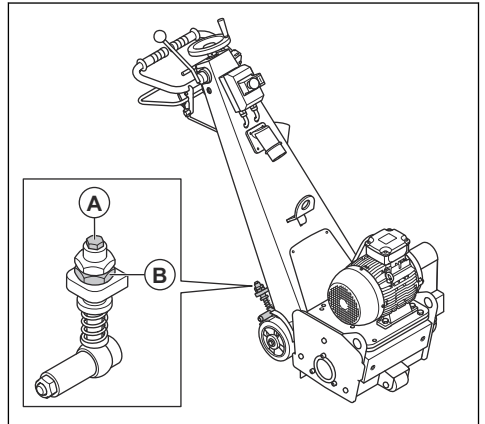
3. Entfernen Sie die Frästrommel (C).
4. Reinigen und schmieren Sie die Achse (D).
5. Montieren Sie die neue Frästrommel (C) an der Achse (D).
6. Montieren Sie die Seitenabdeckung (B) an der Frästrommel (C).
7. Montieren Sie die Schrauben (A) und die Unterlegscheiben.

So überprüfen Sie die Frästrommel

- Prüfen Sie die Frästrommel auf Verschleiß. Ersetzen Sie sie, wenn sie beschädigt ist, siehe *So tauschen Sie die Frästrommel aus auf Seite 31*.

So passen Sie den Bremsdruck an

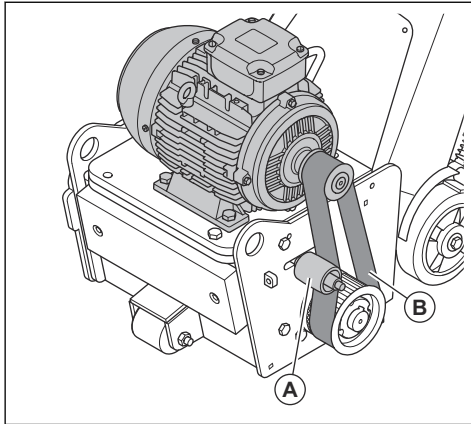
1. Lösen Sie die Muttern.



2. Stellen Sie die Schraube (B) ein.
 - a) Drehen Sie die Schraube nach oben, um den Druck zu verringern.
 - b) Drehen Sie die Schraube nach unten, um den Druck zu erhöhen.

So prüfen Sie den Antriebsriemen

- Prüfen Sie die Spannung. Wenn die Spannung nicht korrekt ist, ändern Sie die horizontale Position der Spannrolle (A).



- Stellen Sie sicher, dass der Antriebsriemen (B) keine Beschädigungen oder sichtbaren Defekte aufweist.

Fehlersuche

Problem	Ursache	Lösung
Zu starke Vibrationen und/oder ungewöhnliche Geräusche.	Die Werkzeuge sind verschlissen oder beschädigt.	Ersetzen Sie verschlissene oder beschädigte Teile.
	Das Lager ist defekt.	Prüfen Sie das Lager an der Achsantriebswelle und tauschen Sie es ggf. aus.
	Falsche Spannung des Treibriemens.	Prüfen Sie die Treibriemenspannung. Siehe <i>So prüfen Sie den Antriebsriemen auf Seite 32.</i>
	Der Motor ist defekt.	Ersetzen Sie den Motor.
Verringerte oder keine Fräsleistung.	Die Werkzeuge sind verschlissen oder beschädigt.	Tauschen Sie die verschlissenen Teile aus.
	Der Werkzeugtyp ist für die Oberfläche nicht geeignet.	Ersetzen Sie die Werkzeuge durch die für die Oberfläche geeigneten Werkzeuge.
	–	BMP 265Petrol: Weitere Anweisungen finden Sie in der Bedienungsanleitung des Verbrennungsmotors.

Problem	Ursache	Lösung
Das Gerät springt nicht an.	BMP 265: Die Not-Aus-Taste ist aktiviert.	Drehen Sie die Not-Aus-Taste im Uhrzeigersinn, um sie zu deaktivieren.
	Eine Komponente ist defekt.	Ersetzen Sie die defekte Komponente.
	BMP 265: Es kommt nur eine Phase in das Gerät.	Die Stromversorgung überprüfen.
	BMP 265: Das Verlängerungskabel ist nicht angeschlossen oder beschädigt.	Das Verlängerungskabel anschließen oder ersetzen, falls erforderlich.
	BMP 265Petrol: Kein Kraftstoff im Kraftstofftank.	Kraftstofftank mit Kraftstoff auffüllen. Siehe <i>So füllen Sie Kraftstoff ein BMP 265Petrol auf Seite 28.</i>
Das Gerät stoppt nach kurzer Zeit.	BMP 265: Der Motorschutzschalter wird aufgrund von Überlastung ausgelöst.	Die Last verringern.
	BMP 265: Der Motor ist defekt.	Prüfen Sie den Motor.

Transport, Lagerung und Entsorgung

Transport



WARNUNG: Seien Sie beim Transport vorsichtig. Das Gerät ist schwer und kann Verletzungen oder Schäden verursachen, wenn es beim Transport umfällt oder sich bewegt.



ACHTUNG: Ziehen Sie vor dem Transport den Hubhebel. Die Werkzeuge dürfen während des Transports nicht den Boden berühren.



ACHTUNG: Ziehen Sie das Gerät nicht mit einem Fahrzeug.

- Bei kürzeren Strecken können Sie das Gerät mit den Rädern manuell bewegen. Bei längeren Strecken heben Sie das Gerät an, um es zu bewegen, oder platzieren Sie es auf einem Fahrzeug.
- Schützen Sie das Gerät während des Transports. Durch diesen Schutz werden Naturelemente wie Regen und Schnee vom Gerät ferngehalten.

So bewegen Sie das Gerät eine Rampe hoch bzw. herunter



WARNUNG: Seien Sie besonders vorsichtig, wenn Sie das Gerät eine Rampe hoch- bzw. herunterbewegen. Das Gerät ist

schwer und kann Verletzungen verursachen, wenn es umfällt oder zu schnell bewegt wird.



WARNUNG: Verwenden Sie bei Rampen mit steilem Gefälle immer eine Winde. Laufen bzw. stehen Sie nicht unterhalb oder in der Nähe des Geräts.

- Um das Gerät eine Rampe herunter zu bewegen, fahren Sie es langsam vorwärts.
- Um das Gerät eine Rampe hinauf zu bewegen, fahren Sie es langsam rückwärts.
- Drehen Sie das Gerät nicht um mehr als 45° nach links oder rechts auf einer Rampe.

So heben Sie das Gerät an



WARNUNG: Stellen Sie sicher, dass die Hebevorrichtung den korrekten Spezifikationen entspricht, um das Gerät sicher anheben zu können. Auf dem Typenschild des Geräts ist das Gerätegewicht angegeben.



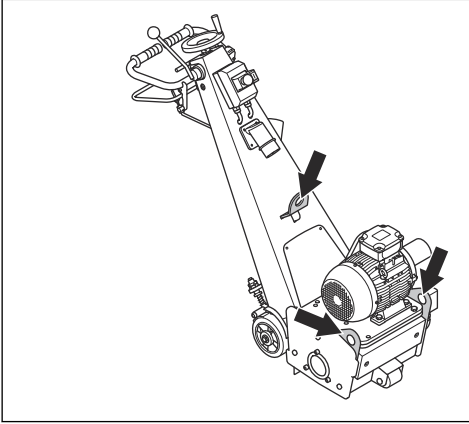
WARNUNG: Laufen bzw. stehen Sie nicht unterhalb oder in der Nähe eines hängenden Geräts. Halten Sie Unbeteiligte vom Arbeitsbereich fern.



WARNUNG: Heben Sie ein Gerät nicht an, wenn es beschädigt ist. Stellen Sie

sicher, dass die Hebeöse richtig montiert und unbeschädigt ist.

1. Befestigen Sie die Hebeausrüstung an der Hebeöse.



2. Heben Sie das Gerät sicher an.

Lagerung



ACHTUNG: Lagern Sie das Gerät nicht im Freien. Lagern Sie das Gerät immer in einem Gebäude.

- Bewahren Sie das Gerät in an einem trockenen und frostfreien Bereich auf.
- Reinigen Sie das Gerät und führen Sie umfassende Wartungsarbeiten durch, bevor Sie es längere Zeit einlagern.
- Bewahren Sie das Gerät in einem verschlossenen Bereich auf, um einen unerlaubten Zugriff durch Kinder oder andere Personen zu verhindern.
- BMP 265Petrol: Leeren Sie den Kraftstofftank, bevor Sie das Gerät über einen längeren Zeitraum einlagern. Entsorgen Sie den Kraftstoff bei einer geeigneten Entsorgungsstelle.
- BMP 265Petrol: Verwenden Sie für die Lagerung und den Transport von Kraftstoff immer zugelassene Behälter.

Entsorgung

- Befolgen Sie die örtlichen Recyclinganforderungen und geltenden Vorschriften.
- Entsorgen Sie alle Chemikalien, z. B. Motoröl oder Kraftstoff, in einer Servicewerkstatt oder in einer geeigneten Abfallentsorgungsstelle.
- Wenn Sie das Produkt nicht mehr benutzen, senden Sie es an einen Husqvarna Händler oder entsorgen Sie es in einer Wiederverwertungsanlage.

Technische Daten

	BMP 265, 3 x 400 V	BMP 265Petrol
Motorleistung, kW	5,5	6,0
Elektrischer Anschluss, V/Hz	3x400/50	-
Kraftstoff	-	Bleifreies Benzin
Stromstärke, A	10,5	-
Schmiermittel	-	SAE 10W-30
Arbeitsbreite, mm	265	
Drehzahl, min ⁻¹	1440	
Länge, mm	1260	
Breite, mm	500	
Höhe, mm	1160	
Gewicht, kg	175	190
Geräuschemissionen		
Gemessener Schalleistungspegel L _W dB(A)	96	
Schallpegel		

	BMP 265, 3 x 400 V	BMP 265Petrol
Schalldruckpegel am Ohr des Bedieners, L _p , dB (A)	115	
Vibrationspegel (Handgriff), m/s ²	5,1	6,3
Durchmesser Staubschlauchanschluss, mm	75	
Passende Filtereinheit	Wenden Sie sich an Ihren Husqvarna Händler.	

Konformitätserklärung für Geräusche und Vibrationen

Diese erklärten Werte wurden in Laborversuchen in Übereinstimmung mit der aufgeführten Richtlinie oder Norm ermittelt und eignen sich für einen Vergleich mit Wertdeklarationen anderer Produkte, die nach der gleichen Richtlinie bzw. Norm geprüft wurden. Diese Wertdeklarationen eignen sich nicht zur Verwendung in Risikobewertungen, zudem können

die an einzelnen Arbeitsplätzen gemessenen Werte höher sein. Die tatsächlichen Belastungswerte und das Gefährdungsrisiko eines individuellen Benutzers sind immer spezifisch und davon abhängig, wie der Benutzer arbeitet, in welchem Material das Produkt eingesetzt wird, sowie von der Belastungszeit, dem Gesundheitszustand des Benutzers und dem Gerätezustand.

Verlängerungskabel

Kabellänge	Querschnitt			
	≤ 16 A	≤ 32 A	≤ 63 A	≤ 125 A
Berechnet bei einer Vorsicherung GG ² :	16 A	32 A	63 A	125 A
> 20m	1,5 mm ²	2,5 mm ²	10 mm ²	25 mm ²
20 m > 50 m	2,5 mm ²	4 mm ²	10 mm ²	25 mm ²
50m > 75m	4 mm ²	6 mm ²	16 mm ²	35 mm ²

² Die Querschnitte müssen neu berechnet werden, wenn andere Vorsicherungen verwendet werden als angegeben.

Konformitätserklärung

EU-Konformitätserklärung

Die Husqvarna AB, SE-561 82 Huskvarna,
Schweden, Tel.: +46- 36-146500, erklären in alleiniger
Verantwortung, dass das Gerät:

Beschreibung	Vertikutierer
Marke	Husqvarna
Typ/Modell	BMP 265
Identifizierung	Seriennummern ab 2022

die folgenden EU-Richtlinien und -Verordnungen erfüllt:

Richtlinie/Verordnung	Beschreibung
2006/42/EG	„Maschinenrichtlinie“
2014/30/EU	„EMV-Richtlinie“

und dass die folgenden Normen und/oder technischen
Daten angewendet werden;

EN ISO 12100:2010, EN 60204-1:2006

Partille, 2022-01-24



Martin Huber

R&D Director, Concrete Surfaces & Floors

Husqvarna AB, Construction Division

Verantwortlich für die technische Dokumentation



EU-Konformitätserklärung

Die Husqvarna AB, SE-561 82 Huskvarna,
Schweden, Tel.: +46- 36-146500, erklären in alleiniger
Verantwortung, dass das Gerät:

Beschreibung	Vertikutierer
Marke	Husqvarna
Typ/Modell	BMP 265Petrol
Identifizierung	Seriennummern ab 2022

die folgenden EU-Richtlinien und -Verordnungen erfüllt:

Richtlinie/Verordnung	Beschreibung
2006/42/EG	„Maschinenrichtlinie“
2014/30/EU	„EMV-Richtlinie“

und dass die folgenden Normen und/oder technischen
Daten angewendet werden;

EN ISO 12100:2010

Partille, 2022-01-24



Martin Huber

R&D Director, Concrete Surfaces & Floors

Husqvarna AB, Construction Division

Verantwortlich für die technische Dokumentation



Sommaire

Introduction.....	38	Recherche de pannes.....	51
Sécurité.....	40	Transport, entreposage et mise au rebut.....	51
Utilisation.....	46	Caractéristiques techniques.....	53
Entretien.....	48	Déclaration de conformité.....	55

Introduction

Description du produit

Ce produit est un scarificateur. Le modèle BMP 265 fonctionne avec un moteur électrique tandis que le modèle BMP 265Petrol fonctionne avec un moteur à combustion .

Utilisation prévue

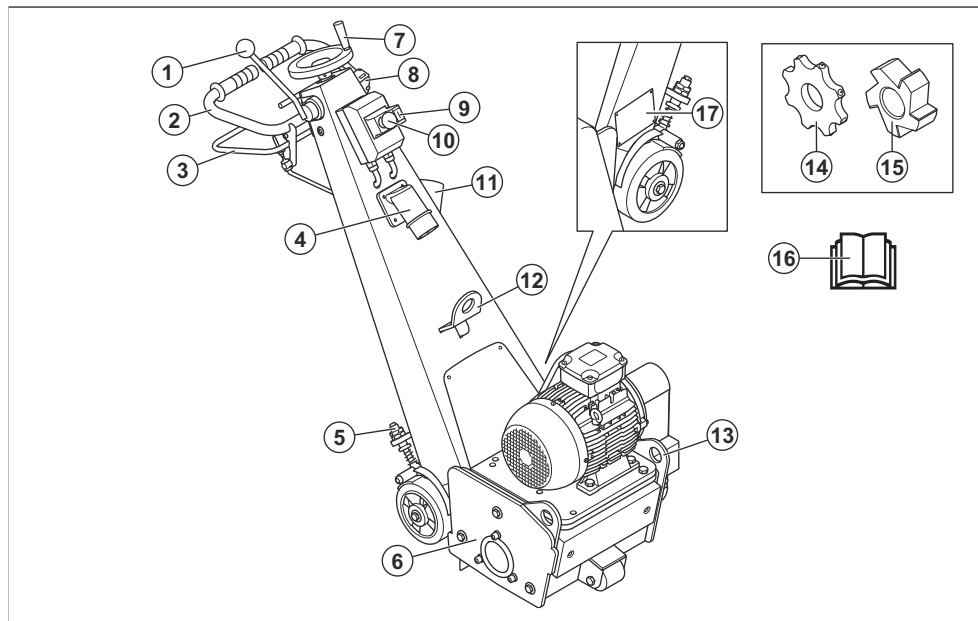
Ce produit est utilisé pour rendre les surfaces rugueuses et pour éliminer les couches et les marques sur la route.

Ce produit peut être utilisé sur des surfaces telles que le béton, l'asphalte, la pierre et l'acier.

Le produit est conçu pour un usage commercial par des opérateurs professionnels.

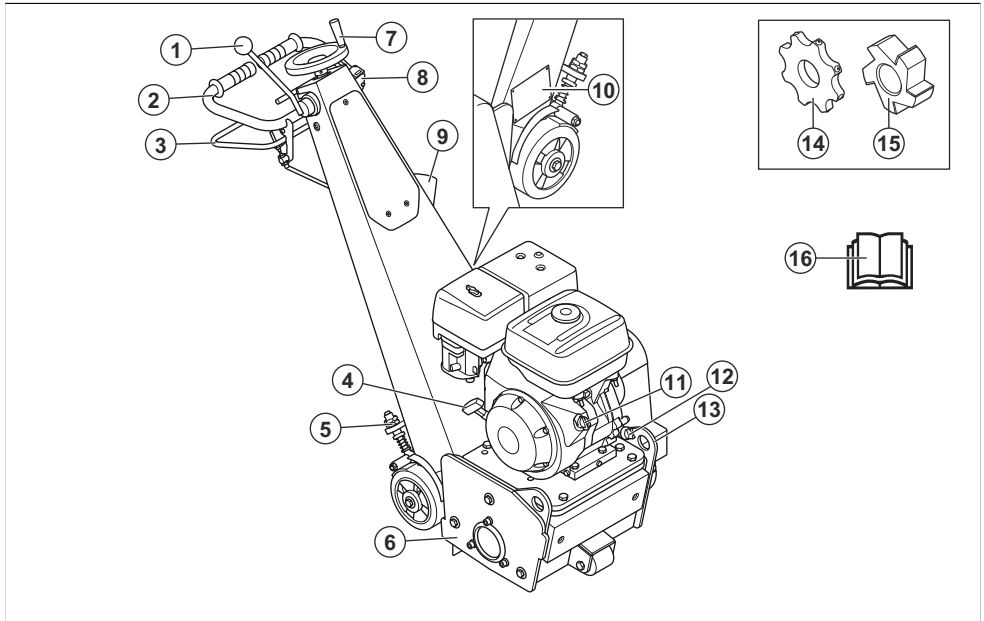
N'utilisez pas ce produit pour d'autres travaux.

Présentation du produit BMP 265



- | | |
|---|--|
| 1. Levier de levage | 10. Bouton d'arrêt d'urgence |
| 2. Poignée | 11. Raccord pour aspirateur industriel |
| 3. Levier de frein à main | 12. Anneau de levage |
| 4. Raccord électrique | 13. Anneau de levage |
| 5. Boulon de réglage de la pression de freinage | 14. Couteau |
| 6. Capot latéral | 15. Fraise |
| 7. Molette de réglage de profondeur | 16. Manuel d'utilisation |
| 8. Contrôle de présence de l'opérateur (OPC) | 17. Plaque signalétique |
| 9. Bouton START | |

Présentation du produit BMP 265Petrol



1. Levier de levage
2. Poignée
3. Levier de frein à main
4. Poignée du câble du démarreur
5. Boulon de réglage de la pression de freinage
6. Capot latéral
7. Molette de réglage de profondeur
8. Contrôle de présence de l'opérateur (OPC)
9. Raccord pour aspirateur industriel
10. Plaque signalétique
11. Interrupteur de marche/arrêt du moteur
12. Bouchon du réservoir d'huile
13. Anneau de levage
14. Couteau
15. Fraise
16. Manuel d'utilisation



Maintenez toutes les parties de votre corps à distance des surfaces chaudes.



Point de levage.



Lisez avec attention le manuel d'utilisation et assurez-vous de bien comprendre les instructions avant d'utiliser ce produit.



Portez une protection respiratoire homologuée.



Utilisez des protège-oreilles homologués.



Utilisez des protections pour les yeux homologuées.

Symboles concernant le produit



Avertissement : ce produit peut être dangereux et causer des blessures graves, voire mortelles, à l'opérateur ou à d'autres personnes. Soyez prudent et utilisez le produit correctement.



Haute tension.



Utilisez des gants de protection homologués.



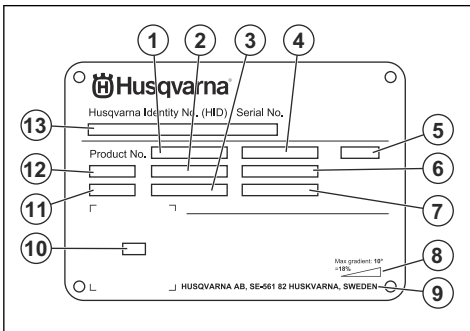
Utilisez des bottes de protection homologuées



Ce produit est conforme aux directives de l'UE en vigueur.

Remarque: les autres symboles/autocollants présents sur le produit concernent des exigences de certification spécifiques à certains marchés.

Plaque signalétique



1. Référence de produit
2. Poids du produit
3. Puissance nominale
4. Tension nominale
5. Boîtier
6. Intensité nominale
7. Fréquence
8. Angle de pente maximal
9. fabricant
10. QR code
11. Année de production
12. Modèle
13. Numéro de série

Responsabilité

Conformément à la loi sur la responsabilité du fait des produits, nous déclinons toute responsabilité pour tout dommage causé par notre produit si :

- le produit n'est pas correctement réparé ;
- le produit est réparé avec des pièces qui ne proviennent pas du fabricant ou qui ne sont pas homologuées par le fabricant ;
- le produit est équipé d'un accessoire qui ne provient pas du fabricant ou qui n'est pas homologué par le fabricant ;
- le produit n'est pas réparé par un centre d'entretien agréé ou par une autorité homologuée.

Sécurité

Définitions de sécurité

Des avertissements, des recommandations et des remarques sont utilisés pour souligner des parties spécialement importantes du manuel.



AVERTISSEMENT: Symbole utilisé en cas de risque de blessures ou de mort pour l'opérateur ou les personnes à proximité si les instructions du manuel ne sont pas respectées.



REMARQUE: Symbole utilisé en cas de risque de dommages pour le produit, d'autres matériaux ou les environs si les instructions du manuel ne sont pas respectées.

Remarque: Symbole utilisé pour donner des informations supplémentaires pour une situation donnée.

Instructions générales de sécurité



AVERTISSEMENT: Lisez les instructions qui suivent avant d'utiliser le produit.

- Ce produit est un outil dangereux si vous ne faites pas attention ou si vous l'utilisez de manière incorrecte. Ce produit peut causer des blessures graves, voire mortelles, à l'opérateur ou à d'autres personnes. Avant d'utiliser le produit, il convient de lire attentivement et de bien comprendre les instructions contenues dans ce manuel de l'opérateur.
- Conservez tous les avertissements de sécurité et toutes les instructions.

- Respectez l'ensemble des lois et réglementations applicables.
- L'opérateur et son employeur doivent connaître et éviter tout risque au cours de l'utilisation du produit.
- Ne laissez personne utiliser le produit avant d'avoir lu et compris le contenu du manuel de l'opérateur.
- N'utilisez pas le produit sauf si vous bénéficiez d'une formation préalable. Assurez-vous que tous les opérateurs suivent une formation.
- Ne laissez pas un enfant utiliser le produit.
- Seules les personnes autorisées peuvent utiliser le produit.
- L'utilisateur est tenu responsable des accidents auxquels il expose autrui ou ses biens.
- N'utilisez jamais l'appareil si vous êtes fatigué ou malade, ou si vous êtes sous l'emprise d'alcool, de drogues ou de médicaments.
- Soyez toujours prudent et utilisez votre bon sens.
- Ce produit génère un champ électromagnétique durant son fonctionnement. Ce champ peut dans certaines circonstances perturber le fonctionnement d'implants médicaux actifs ou passifs. Pour réduire le risque de blessures graves ou mortelles, nous recommandons aux personnes portant des implants médicaux de consulter leur médecin et le fabricant de leur implant avant d'utiliser cet appareil.
- Maintenez le produit propre. Assurez-vous que vous pouvez lire clairement les avertissements et les autocollants.
- N'utilisez pas le produit si celui-ci est défectueux.
- Ne modifiez pas ce produit.
- N'utilisez pas le produit s'il est susceptible d'avoir été modifié par d'autres personnes.
- Assurez-vous de savoir comment couper le moteur rapidement en cas d'urgence.
- BMP 265 : avant de vous éloigner du produit, coupez le moteur et débranchez le cordon d'alimentation. Assurez-vous qu'il n'y a aucun risque de démarrage accidentel.
- BMP 265Petrol : avant de vous éloigner du produit, coupez le moteur. Assurez-vous qu'il n'y a aucun risque de démarrage accidentel.
- Assurez-vous que des vêtements, cheveux longs et bijoux ne peuvent pas se coincer dans les pièces en mouvement
- Veillez à vous tenir dans une position stable et sûre pendant l'utilisation du produit.
- Utilisez uniquement le produit sur des surfaces horizontales.
- N'utilisez pas le produit si vous ne pouvez pas être secouru en cas d'accident
- Utilisez uniquement des accessoires homologués. Pour plus d'informations, contactez votre revendeur Husqvarna.
- Si des vibrations se produisent dans le produit ou si le niveau sonore du produit est anormalement élevé, arrêtez immédiatement le produit. Vérifiez que le produit n'est pas endommagé. Réparez les éventuels dommages ou demandez à un atelier spécialisé agréé de procéder aux réparations.
- Branchez le produit sur un aspirateur industriel pour éliminer la poussière.
- Ne tirez pas sur le tuyau de l'aspirateur industriel. Le produit peut tomber et causer des blessures et dommages.
- Laissez l'aspirateur industriel en marche jusqu'à l'arrêt complet du moteur.
- Assurez-vous que le tambour de scarification ne touche pas la surface lors du démarrage du produit.
- BMP 265 : vérifiez le sens de rotation du moteur. Une flèche sur le carter du moteur indique le sens de rotation correcte du moteur.
- Utilisez le produit uniquement lorsque vous vous trouvez à l'arrière, avec les mains sur la poignée.
- Vérifiez l'absence d'huile ou de graisse sur les poignées.
- Gardez toujours les 2 roues sur le sol lors de l'utilisation.

Instructions de sécurité pour le fonctionnement



AVERTISSEMENT: Lisez les instructions qui suivent avant d'utiliser le produit.

- Utilisez un équipement de protection individuel. Reportez-vous à la section *Équipement de protection individuel à la page 43*.
- Une exposition excessive aux vibrations peut entraîner des troubles circulatoires ou nerveux chez les personnes sujettes à des troubles cardiovasculaires. Consultez un médecin en cas de symptômes liés à une exposition excessive aux vibrations. Ces symptômes peuvent être les suivants : insensibilisation ou irritation locale, douleur, chatouillements, faiblesse musculaire, décoloration ou modification cutanée. Ces symptômes affectent généralement les doigts, les mains ou les poignets.
- N'utilisez pas le produit sans les caches de protection.



AVERTISSEMENT: Lisez les instructions qui suivent avant d'utiliser le produit.

- Au cours de l'utilisation du produit, des vibrations sont ressenties entre le produit et l'opérateur. Un fonctionnement régulier et fréquent du produit peut blesser ou augmenter le risque de blessures graves chez l'opérateur. Des blessures peuvent se produire au niveau des doigts, des mains, des poignets, des bras, des épaules, et/ou des

nerfs et des organes d'irrigation sanguine, ou d'autres parties du corps. Les blessures peuvent être invalidantes et/ou permanentes et peuvent augmenter progressivement pendant des semaines, des mois ou des années. Des dommages peuvent également être provoqués au niveau du système de circulation sanguine, du système nerveux, des articulations et d'autres parties du corps.

- Des symptômes peuvent se produire pendant le fonctionnement du produit ou à un autre moment. Si vous avez des symptômes et que vous continuez d'utiliser le produit, ceux-ci peuvent augmenter ou devenir permanents. Si l'un de ces symptômes ou d'autres symptômes se produisent, consultez un médecin :
 - engourdissement, perte de sensibilité, fourmillements, picotements, douleur, brûlure, palpitations, raideur, maladresse, faiblesse musculaire, changement de pigmentation de la peau ou de l'état physique.
- Les symptômes peuvent augmenter par temps froid. Utilisez des vêtements chauds et gardez les mains au chaud et au sec lorsque vous faites fonctionner le produit dans un environnement froid.
- Procédez à l'entretien et utilisez le produit comme indiqué dans le manuel d'utilisation afin de maintenir un bon niveau de vibrations.
- Le produit est doté d'un système anti-vibrations qui réduit les vibrations entre les poignées et l'opérateur. Laissez le produit faire le travail. N'appuyez pas fortement sur le produit. Tenez légèrement le produit au niveau des poignées, mais assurez-vous que vous pouvez le contrôler et l'utiliser en toute sécurité. Ne poussez pas les poignées dans les butées plus que nécessaire.
- Gardez uniquement les mains sur la ou les poignées. Éloignez toutes les autres parties du corps du produit.
- Arrêtez le produit immédiatement si de fortes vibrations se produisent soudainement. Ne poursuivez pas l'opération avant que la cause de l'augmentation des vibrations ait été supprimée.

Sécurité antipoussière



AVERTISSEMENT: Lisez les instructions qui suivent avant d'utiliser le produit.

- Le fonctionnement du produit peut entraîner de la poussière dans l'air. La poussière peut provoquer des blessures graves et des problèmes de santé permanents. Plusieurs autorités classent la poussière de silice parmi les poussières dangereuses. Quelques exemples de problèmes de santé pouvant être causés :
 - Maladies pulmonaires mortelles telles que la bronchite chronique, la silicose et la fibrose pulmonaire

- Cancer
- Anomalies congénitales
- Inflammation de la peau.
- Utilisez un équipement adapté permettant de réduire la quantité de poussière et de fumées dans l'air et de diminuer la poussière présente sur les équipements de travail, les surfaces, les vêtements et les parties du corps. Par exemple, des systèmes de collecte de la poussière et des pulvérisateurs d'eau permettant de capter la poussière. Réduisez la quantité de poussière au niveau de la source, dans la mesure du possible. Assurez-vous que l'équipement est correctement installé et utilisé, et qu'un entretien régulier est effectué.
- Portez une protection respiratoire homologuée. Assurez-vous que la protection respiratoire est adaptée aux matériaux dangereux dans la zone de travail.
- Assurez-vous que la zone de travail est suffisamment ventilée.
- Si possible, placez l'échappement du produit à un endroit où la poussière ne peut pas pénétrer dans l'air.

Sécurité relative au bruit



AVERTISSEMENT: Lisez les instructions qui suivent avant d'utiliser le produit.

- Des niveaux sonores élevés et une exposition prolongée au bruit peuvent provoquer une perte auditive.
- Afin de maintenir le niveau sonore au minimum, effectuez l'entretien et utilisez le produit comme indiqué dans le manuel d'utilisation.
- Utilisez des protège-oreilles homologués pendant l'utilisation du produit.
- Soyez attentif aux signaux d'alerte et aux appels lorsque vous portez des protège-oreilles. Retirez les protège-oreilles lorsque le produit est arrêté, sauf si les protège-oreilles sont nécessaires en raison du niveau sonore dans la zone de travail.

Sécurité relative aux gaz d'échappement



AVERTISSEMENT: Lisez les instructions qui suivent avant d'utiliser le produit.

- Les gaz d'échappement du moteur contiennent du monoxyde de carbone, un gaz inodore, toxique et très dangereux. Respirer du monoxyde de carbone peut être mortel. Le monoxyde de carbone est inodore et invisible ; il est impossible de le sentir. Le monoxyde de carbone provoque des symptômes d'intoxication, notamment des vertiges, mais il est possible qu'une personne devienne rapidement inconsciente si la quantité ou la concentration de monoxyde de carbone est suffisante.

- Les gaz d'échappement contiennent également des hydrocarbures non brûlés, dont du benzène. À long terme, l'inhalation des gaz d'échappement peut entraîner des problèmes de santé.
- Les gaz d'échappement pouvant être vus ou sentis contiennent également du monoxyde de carbone.
- N'utilisez pas un produit doté d'un moteur à combustion à l'intérieur ou dans les zones insuffisamment ventilées.
- Ne respirez pas les gaz d'échappement.
- Assurez-vous que la zone de travail est suffisamment ventilée. Ceci est particulièrement important lorsque vous utilisez le produit dans des tranchées ou d'autres petites zones de travail, où les gaz d'échappement peuvent facilement s'accumuler.
- N'utilisez pas ce produit dans des zones présentant un risque d'incendie ou d'explosion.
- Éloignez les animaux, les enfants et toute personne à l'écart de la zone de travail et à une distance de sécurité du produit.
- Assurez-vous que seules les personnes autorisées se trouvent dans la zone de travail.
- Veillez à ce que la zone de travail reste propre et suffisamment éclairée.
- Retirez les objets tels que les vis, les boulons, les câbles et les pierres de la zone de travail avant d'utiliser le produit.
- Assurez-vous qu'aucun câble ou tuyau n'est présent dans le sens de marche du produit.
- Assurez-vous qu'il y ait une circulation d'air suffisante dans la zone de travail.

Équipement de protection individuel



AVERTISSEMENT: Lisez les instructions qui suivent avant d'utiliser le produit.

- Portez toujours un équipement de protection individuel homologué lorsque vous utilisez le produit. L'équipement de protection individuel ne protège pas complètement des blessures, mais il diminue la gravité des blessures en cas d'accident. Faites appel à votre revendeur pour vous aider à sélectionner l'équipement de protection individuel adéquat.
- Vérifiez régulièrement l'état de votre équipement de protection individuel.
- Utilisez un casque de protection homologué.
- Utilisez des protège-oreilles agréés.
- Portez une protection respiratoire homologuée.
- Utilisez des protections pour les yeux homologuées avec protections latérales.
- Utilisez des gants de protection.
- Utilisez des bottes avec embouts en acier et semelle antidérapante.
- Utilisez des vêtements de travail homologués ou des vêtements près du corps équivalents dotés de manches longues et d'un pantalon.

Extincteur

- Gardez un extincteur à proximité lors de l'utilisation du produit.
- Utilisez un extincteur à poudre ou un extincteur à gaz carbonique.

Sécurité dans la zone de travail



AVERTISSEMENT: Lisez les instructions qui suivent avant d'utiliser le produit.

- N'utilisez pas le produit en cas de brouillard, pluie, vents violents, risque de foudre ou autres conditions climatiques.

Sécurité électrique



AVERTISSEMENT: les produits électriques présentent toujours un risque de choc. N'utilisez pas le produit dans de mauvaises conditions météorologiques. Ne touchez pas de paratonnerres ni d'objets métalliques. Utilisez toujours le produit comme indiqué dans ce manuel d'utilisation pour éviter les blessures.



AVERTISSEMENT: Utilisez toujours une alimentation avec RCD (disjoncteur différentiel). L'utilisation d'un RCD permet de réduire le risque de choc électrique.



AVERTISSEMENT: Haute tension. Il y a des pièces non protégées dans l'unité électrique. Débranchez toujours le produit de la prise de courant avant d'ouvrir la porte du boîtier électrique.



REMARQUE: L'alimentation électrique du produit ou du générateur doit être suffisamment puissante et constante pour que le moteur électrique puisse fonctionner sans problème. Une tension incorrecte provoque l'augmentation de la consommation d'énergie et de la température du moteur jusqu'au déclenchement du circuit de sécurité. Les dimensions du cordon d'alimentation doivent être conformes aux réglementations nationales et locales. Les dimensions de la prise secteur doivent être conformes à l'ampérage de la prise électrique et du câble de rallonge du produit.

Si la résistance du secteur est plus élevée, de brèves chutes de tension peuvent se

produire lorsque le produit est démarré. Cela peut affecter le fonctionnement d'autres produits ; les lampes peuvent par exemple scintiller.

prise secteur mise à la terre. Cela permet de réduire le risque de choc électrique en cas de dysfonctionnement.

N'utilisez pas d'adaptateurs électriques avec le produit.

- Assurez-vous que la tension d'alimentation, des fusibles et du secteur est identique à celle indiquée sur la plaque signalétique du produit.
- Arrêtez toujours le produit avant de débrancher la prise de courant.
- N'utilisez pas le produit si le cordon d'alimentation ou la prise de courant sont endommagés. Confiez-le à un centre de service homologué pour réparation. Un cordon d'alimentation endommagé peut provoquer des blessures graves, voire mortelles.
- Utilisez le cordon d'alimentation correctement. N'utilisez pas le cordon d'alimentation pour déplacer, tirer ou débrancher le produit. Tirez sur la prise de courant pour débrancher le câble d'alimentation. Ne tirez pas le cordon d'alimentation.
- N'utilisez pas le produit dans un trou d'eau suffisamment profond pour mouiller l'équipement du produit. L'équipement peut être endommagé et le produit peut être mis sous tension et causer des blessures.
- N'ajoutez pas plus d'humidité au produit que celle fournie par le système d'eau. Tenez le produit à l'abri de la pluie. L'eau qui s'infiltre dans le produit augmente le risque de choc électrique.
- Débranchez toujours de cordon d'alimentation avant de brancher ou débrancher la connexion du câble du moteur et du boîtier électrique.

Rallonges

- Utilisez uniquement des rallonges homologuées d'une longueur suffisante.
- La valeur nominale sur la rallonge doit être identique ou supérieure à celle indiquée sur la plaque signalétique du produit.
- Utilisez des câbles de rallonge mis à la terre.
- Lorsque vous utilisez l'outil à l'extérieur, utilisez une rallonge adaptée à un usage extérieur. Cela réduit le risque de choc électrique.
- Maintenez la connexion de la rallonge au sec et au-dessus du sol.
- Maintenez la rallonge à l'écart de la chaleur, d'huile, de bords tranchants ou de pièces en mouvement. Un câble endommagé augmente le risque de choc électrique.
- Assurez-vous que la rallonge est en bon état et non endommagée.
- N'utilisez pas la rallonge lorsqu'elle est enroulée. Cela peut entraîner une surchauffe de la rallonge.
- Assurez-vous que la rallonge est derrière vous et derrière le produit lorsque vous utilisez le produit. Cela empêche toute dégradation de la rallonge.

Dispositifs de sécurité sur le produit



AVERTISSEMENT: Lisez les instructions qui suivent avant d'utiliser le produit.

- N'utilisez pas un produit avec des dispositifs de sécurité défectueux.
- Contrôlez les dispositifs de sécurité régulièrement. Si les dispositifs de sécurité sont défectueux, parlez-en à votre agent d'entretien Husqvarna.

Freins de roue

La poignée de frein contrôle les freins de roue. Les freins sont engagés lorsque la poignée de frein est en position neutre. Les freins sont relâchés lorsque la poignée de frein est tirée dans le sens de la poignée.

Contrôle des freins de roue

1. Faites démarrer le produit. Reportez-vous à la section *Pour démarrer le produit à la page 47*.
2. Assurez-vous que le produit ne bouge pas. Si le produit bouge, ajustez la pression de freinage. Reportez-vous à [xref].

Instructions pour produit mis à la terre



AVERTISSEMENT: un mauvais branchement peut provoquer un choc électrique. Consultez un électricien agréé si vous n'êtes pas certain que votre prise secteur soit correctement mise à la terre.

Ne modifiez pas la prise de courant par rapport à ses spécifications d'usine. Si la fiche ou le cordon d'alimentation est endommagé ou doit être remplacé, contactez votre atelier spécialisé Husqvarna. Respectez la législation et les réglementations locales.

Si vous n'avez pas bien compris les instructions de mise à la terre du produit, consultez un électricien homologué.

Utilisez uniquement des rallonges extérieures mises à la terre avec des fiches de mise à la terre et une prise de mise à la terre acceptant la fiche d'alimentation du produit.

Le produit est équipé d'une fiche d'alimentation mise à la terre. Branchez systématiquement le produit sur une

Contrôle de présence de l'opérateur (OPC) BMP 265

Lorsque l'OPC est engagé, le moteur s'arrête. Reportez-vous à la section *Contrôle de l'OPC BMP 265 à la page 45*.

Contrôle de l'OPC BMP 265

1. Faites démarrer le produit. Reportez-vous à la section *Pour démarrer le produit à la page 47*.
2. Retirez l'OPC, reportez-vous à la section *Contrôle de présence de l'opérateur (OPC) BMP 265 à la page 45*. Si le moteur ne s'arrête pas dans les 3 secondes, contactez un atelier spécialisé Husqvarna agréé.

Bouton d'arrêt d'urgence BMP 265

Le bouton d'arrêt d'urgence permet d'arrêter rapidement le moteur. Le bouton d'arrêt d'urgence coupe l'alimentation électrique du secteur. Reportez-vous à la section *Présentation du produit BMP 265 à la page 38* pour connaître l'emplacement du bouton d'arrêt d'urgence sur votre produit.

Contrôle du bouton d'arrêt d'urgence BMP 265

Reportez-vous à la section *Présentation du produit BMP 265 à la page 38* pour connaître l'emplacement du bouton d'arrêt d'urgence sur votre produit.

1. Tournez le bouton d'arrêt d'urgence dans le sens des aiguilles d'une montre pour vous assurer qu'il est désengagé.
2. Faites démarrer le produit. Reportez-vous à la section *Pour démarrer le produit à la page 47*.
3. Appuyez sur le bouton d'arrêt d'urgence.
4. Assurez-vous que le moteur s'arrête.
5. Tournez le bouton d'arrêt d'urgence dans le sens des aiguilles d'une montre pour le désengager.

Interrupteur de marche/arrêt du moteur BMP 265Petrol

Le moteur démarre uniquement lorsque l'interrupteur de marche/arrêt est réglé sur « ON ». Le moteur s'arrête lorsque l'interrupteur de marche/arrêt du moteur est réglé sur « OFF ».

Vérification de l'interrupteur marche/arrêt du moteur

1. Démarrez le moteur. Reportez-vous à la section *Pour démarrer le produit à la page 47*.
2. Placez l'interrupteur de marche/arrêt du moteur sur « OFF ». Le moteur s'arrête.

Capot latéral

Le capot latéral protège l'opérateur de la poussière et des particules.

Contrôle du capot latéral

- Assurez-vous que les trous du capot latéral ne sont pas usés et que les vis sont complètement serrées.

Sécurité carburant



AVERTISSEMENT: Lisez les instructions qui suivent avant d'utiliser le produit.

- Le carburant est inflammable et ses vapeurs sont explosives. Faites attention lors de la manipulation du carburant pour éviter tout risque de blessures, d'incendie et d'explosion.
- Ne respirez pas les vapeurs de carburant. Les vapeurs de carburant sont toxiques et peuvent causer des blessures. Assurez-vous que la ventilation est suffisante.
- Ne retirez pas le bouchon du réservoir de carburant et ne remplissez pas le réservoir quand le moteur tourne.
- Laissez le moteur se refroidir avant de faire le plein.
- Ne faites pas le plein de carburant dans un espace intérieur. Un débit d'air insuffisant peut causer des blessures graves, voire mortelles dues à une asphyxie ou au monoxyde de carbone.
- Ne fumez pas à proximité du carburant ou du moteur.
- Ne mettez pas d'objets chauds à proximité du carburant ou du moteur.
- Ne faites pas le plein de carburant à proximité d'étincelles ou de flammes.
- Avant de faire le plein, ouvrez le bouchon du réservoir de carburant lentement et relâchez la pression avec précaution.
- La présence de carburant sur la peau peut causer des blessures. Si votre peau entre en contact avec le carburant, lavez les parties qui ont été en contact avec de l'eau et du savon.
- Si vous avez renversé du carburant sur vos vêtements, changez de vêtements immédiatement.
- Ne remplissez pas entièrement le réservoir de carburant. La chaleur entraîne la dilatation du carburant. Laissez un espace en haut du réservoir de carburant.
- Serrez complètement le bouchon du réservoir de carburant. Si le bouchon du réservoir de carburant n'est pas serré, il y a un risque d'incendie.
- Avant de démarrer le produit, éloignez-le d'au moins 3 m/10 pi de l'endroit où vous effectuez l'appoint de carburant.
- Ne démarrez pas le produit si du carburant ou de l'huile moteur a été renversé(e) sur le produit. Retirez le carburant et l'huile moteur indésirables et laissez sécher le produit avant de démarrer le moteur.
- Vérifiez régulièrement s'il y a des fuites de moteur. S'il y a des fuites dans le système de carburant, ne

- démarrez pas le moteur jusqu'à ce que les fuites soient réparées.
- N'examinez pas la présence de fuites sur le moteur avec vos doigts.
- Conservez le carburant uniquement dans des récipients homologués.
- Lorsque le produit et le carburant sont stockés, assurez-vous que le carburant et les vapeurs de carburant ne peuvent pas provoquer des dégâts.
- Videz le carburant dans un récipient homologué à l'extérieur et loin de toute étincelle et flamme.

- Nettoyez le produit afin de retirer tout matériau dangereux avant de faire l'entretien.
- Avant de procéder à l'entretien, arrêtez le produit et évitez tout démarrage accidentel :
 - BMP 265 : coupez le moteur, retirez le contrôle de présence de l'opérateur et débranchez la fiche d'alimentation.
 - BMP 265Petrol : coupez le moteur et retirez le contrôle de présence de l'opérateur.
- Effectuez l'entretien du produit sur un sol de niveau et stable.
- Ne modifiez pas le produit. Les modifications apportées au produit qui ne sont pas approuvées par le fabricant peuvent causer des blessures graves, voire mortelles.
- Remplacez les pièces endommagées, usées ou cassées.
- Utilisez toujours les accessoires et les pièces de rechange d'origine. Les accessoires et les pièces de rechange qui ne sont pas approuvés par le fabricant peuvent causer des blessures graves, voire mortelles.
- Après l'entretien, contrôlez le niveau de vibrations dans le produit. S'il n'est pas correct, contactez un atelier spécialisé agréé.
- Demandez à un atelier spécialisé d'effectuer régulièrement l'entretien du produit.

Instructions de sécurité pour l'entretien



AVERTISSEMENT: Lisez les instructions qui suivent avant d'utiliser le produit.

- Utilisez un équipement de protection individuel. Reportez-vous à la section *Équipement de protection individuel à la page 43*.
- Effectuez uniquement les tâches d'entretien décrites dans le présent manuel d'utilisation. Laissez un atelier spécialisé agréé se charger de toutes les autres opérations d'entretien.
- Si l'entretien n'est pas effectué correctement et régulièrement, le risque de blessures et d'endommagement du produit augmente.

Utilisation

Introduction



AVERTISSEMENT: Avant d'utiliser le produit, vous devez lire et comprendre le chapitre sur la sécurité.

À faire avant de démarrer le produit

- Lisez attentivement le manuel d'utilisation et assurez-vous de bien comprendre les instructions.
- BMP 265Petrol : lisez attentivement la section du manuel d'utilisation correspondant au moteur à combustion et assurez-vous de bien comprendre les instructions.
- Lisez attentivement la section du manuel d'utilisation correspondant à l'aspirateur industriel et assurez-vous de bien comprendre les instructions.
- Utilisez un équipement de protection individuel. Reportez-vous à la section *Équipement de protection individuel à la page 43*.
- Assurez-vous que seules les personnes autorisées se trouvent dans la zone de travail.
- Effectuez l'entretien quotidien. Reportez-vous à la section *Programme d'entretien à la page 48*.
- Assurez-vous que le produit est correctement monté et qu'il n'est pas endommagé.
- Placez le produit sur la zone de travail. Assurez-vous que la surface est de niveau. Assurez-vous que le transport du produit vers et dans la zone de travail est effectué correctement et en toute sécurité. Reportez-vous à la section *Transport à la page 51*.
- Assurez-vous que le tambour de scarification ne heurte pas le sol.
- Assurez-vous que les couteaux peuvent se déplacer librement sur l'axe du tambour de scarification.
- Branchez un aspirateur industriel sur le produit. Reportez-vous à la section *Pour brancher un aspirateur industriel à la page 47*.
- BMP 265 : Branchez le produit à une source d'alimentation. Reportez-vous à la section *Branchement du produit à une source d'alimentation BMP 265 à la page 47*.
- BMP 265Petrol : Remplissez le réservoir de carburant. Reportez-vous à la section *Remplissage du réservoir de carburant BMP 265Petrol à la page 47*.
- BMP 265Petrol : Contrôlez le niveau d'huile. Reportez-vous au manuel d'utilisation du moteur à combustion.

15. BMP 265 : vérifiez le sens de rotation du moteur. Une flèche sur le carter du moteur indique le sens de rotation correcte du moteur. Si nécessaire, changez le sens de rotation du moteur. Reportez-vous à la section *Modification du sens de rotation du moteur BMP 265 à la page 49*.

Pour brancher un aspirateur industriel



AVERTISSEMENT: N'utilisez pas l'aspirateur industriel si son tuyau est endommagé. L'utilisation d'un tuyau endommagé accroît le risque d'inhalation de poussière nocive pour votre santé. Portez une protection respiratoire homologuée.

1. Vérifiez que le tuyau de l'aspirateur industriel n'est pas endommagé.
2. Assurez-vous que les filtres de l'aspirateur industriel sont en bon état et propres.
3. Raccordez le flexible de l'aspirateur industriel sur le raccord de l'aspirateur industriel. Reportez-vous à la section *Caractéristiques techniques à la page 53* pour connaître l'emplacement du raccord de l'aspirateur industriel sur votre produit.

Branchement du produit à une source d'alimentation BMP 265

1. Branchez la fiche d'alimentation du produit sur un câble de rallonge adapté.
2. Branchez le câble de rallonge à une prise secteur.



REMARQUE: Lorsque le produit est connecté à un aspirateur industriel, ce dernier doit être connecté à une source d'alimentation triphasée.

Remplissage du réservoir de carburant BMP 265Petrol

Si cela est possible, utilisez de l'essence d'alkylate/écologique. Si vous ne pouvez pas vous procurer de l'essence d'alkylate/écologique, utilisez l'essence sans plomb de bonne qualité ou d'essence dont le taux d'octane n'est pas inférieur à 90.



REMARQUE: N'utilisez pas d'essence avec un indice d'octane inférieur à 90 RON (87 AKI). Cela peut endommager le produit.

1. Ouvrez lentement le couvercle du réservoir de carburant pour relâcher la pression.
2. Remplissez lentement le réservoir à l'aide d'un bidon de carburant. Si vous renversez du carburant, essuyez-le à l'aide d'un chiffon et laissez le carburant restant sécher.

3. Essayez le pourtour du bouchon du réservoir de carburant.
4. Serrez complètement le bouchon du réservoir de carburant. Si le bouchon du réservoir de carburant n'est pas serré, il y a un risque d'incendie.
5. Déplacez le produit à un minimum de 3 m (10 ft) de l'endroit où a été fait le plein de carburant avant de démarrer le produit.

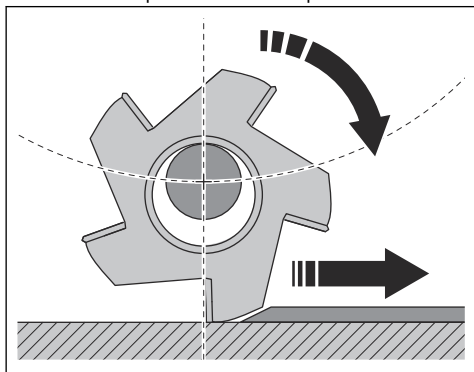
Pour démarrer le produit

1. Assurez-vous que le levier de levage et la molette de réglage de profondeur sont en position relevée.
2. Assurez-vous que les freins sont engagés.
3. Mettez l'aspirateur industriel en marche.
4. Placez le cordon du contrôle de présence de l'opérateur autour de votre poignet gauche.
5. BMP 265Petrol : Placez l'interrupteur de marche/arrêt du moteur sur « ON ».
6. Démarrez le produit :
 - a) BMP 265 : Appuyez sur le bouton START.
 - b) BMP 265Petrol : Tirez la poignée du câble du démarreur.
7. Abaissez lentement le levier de levage.
8. Tournez la molette de réglage de profondeur dans le sens des aiguilles d'une montre jusqu'à ce que la profondeur de scarification soit correcte.
9. Tirez la poignée de frein dans le sens de la poignée pour relâcher les freins et déplacer le produit vers l'avant.

Pour utiliser le produit

1. Maintenez la poignée en exerçant une légère pression pour s'assurer que les roues arrière sont bien bloquées.
2. Faites avancer le produit sur des trajectoires parallèles et assurez-vous que le tuyau à poussière et le câble électrique sur le BMP 265 ne se tordent pas.

3. Assurez-vous que l'outil du tambour de scarification touche le sol par une force centripète.



4. Ajustez la vitesse à la surface. Travaillez à une vitesse inférieure sur une surface rugueuse.

Pour arrêter le produit

1. Tirez le levier de levage vers le haut et tournez la molette de réglage de profondeur jusqu'à ce que le tambour de scarification ne touche plus le sol.
2. Arrêter le produit :
 - a) BMP 265 : Appuyez sur le bouton d'arrêt d'urgence.
 - b) BMP 265Pétrol : tournez l'interrupteur marche/arrêt du moteur en position d'arrêt.
3. Arrêtez l'aspirateur industriel.
4. BMP 265 : Débranchez la fiche d'alimentation électrique.
5. Assurez-vous que toutes les pièces mobiles sont arrêtées.

Entretien

Introduction



AVERTISSEMENT: Avant d'effectuer des travaux d'entretien, vous devez lire et comprendre le chapitre sur la sécurité.

Une formation spécifique est nécessaire pour effectuer tous les travaux d'entretien et de réparation du produit. Nous garantissons qu'il vous est possible d'obtenir des services de réparation et d'entretien effectués par des professionnels. Si votre concessionnaire n'est pas un atelier spécialisé, demandez-lui des informations à propos de l'atelier spécialisé le plus proche.

Programme d'entretien

* = Entretien général effectué par l'opérateur. Les instructions ne sont pas mentionnées dans ce manuel d'utilisation.

X = Les instructions sont mentionnées dans ce manuel d'utilisation.

O = Les instructions ne sont pas mentionnées dans ce manuel d'utilisation. Faites réaliser l'entretien par un agent d'entretien agréé.

Entretien général du produit	Tous les jours	12 h après l'entretien	Une fois par an
Nettoyez le produit.	X		
Contrôlez les dispositifs de sécurité.	X		
Assurez-vous que les écrous et les vis sont serrés.	*	*	
Vérifiez que les composants électriques, les câbles et les raccords ne sont pas usés ou endommagés.	*		
Contrôlez les raccords de tuyau. Vérifiez que tous les flexibles du produit ne sont pas endommagés ou ne fuient pas.	*		
Assurez-vous que les tuyaux à poussière ne sont pas endommagés ni obstrués.	*		
Assurez-vous que l'aspirateur est vide et correctement raccordé.	*		

Entretien général du produit	Tous les jours	12 h après l'entretien	Une fois par an
Effectuez un entretien et un nettoyage complets du produit.			○
BMP 265 : assurez-vous que la fiche d'alimentation et le câble de rallonge sont en bon état et non endommagés.	*		
BMP 265Petrol : assurez-vous qu'il n'y a pas de fuite d'huile ou de carburant.	*		

Nettoyage du produit

- Nettoyez toujours tout l'équipement après utilisation. Utilisez un aspirateur.
- N'utilisez pas de nettoyeur haute pression pour nettoyer le produit.
- Maintenez les ouvertures d'air propres et dégagées pour garantir que le produit est toujours suffisamment frais.
- Nettoyez le tambour de l'outil après utilisation sur des surfaces humides.

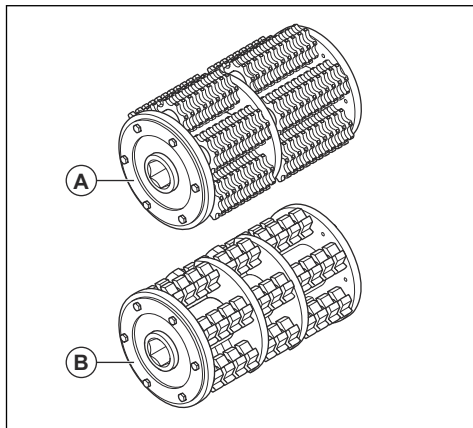
Modification du sens de rotation du moteur BMP 265

1. Arrêtez le moteur. Reportez-vous à la section *Pour arrêter le produit à la page 48.*
2. Attendez que le produit soit totalement arrêté.
3. Débranchez la fiche d'alimentation électrique.
4. Tournez le commutateur inverseur de la fiche secteur dans la position opposée.

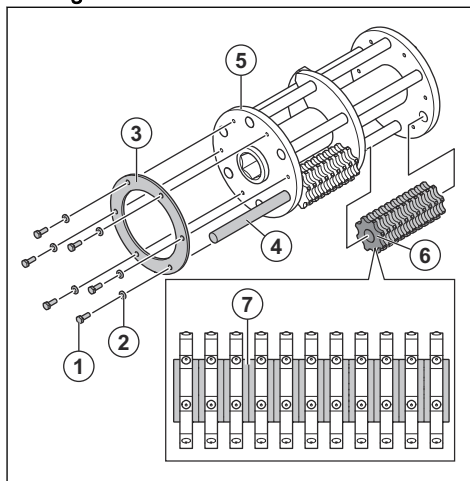
Tambour de scarification

Outils du tambour de scarification

Il existe différents outils pour les tambours de scarification, les couteaux (A) et les fraises (B). Chaque outil est adapté à une surface différente.



Montage du tambour de scarification



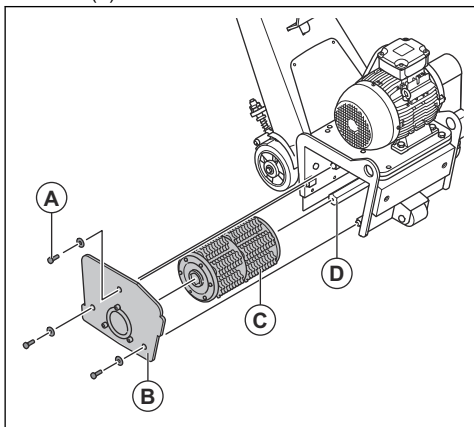
1. Vis à tête hexagonale M6x16
2. Rondelle frein élastique M6
3. Plaques de retenue
4. Arbre
5. Tambour de scarification
6. Fléau ou couteau de scarification
7. Entretien

Remplacement du tambour de scarification



AVERTISSEMENT: assurez-vous que toutes les pièces mobiles sont complètement arrêtées. Retirez la clé de l'OPC.

1. Retirez les vis (A) et les rondelles du capot latéral (B).



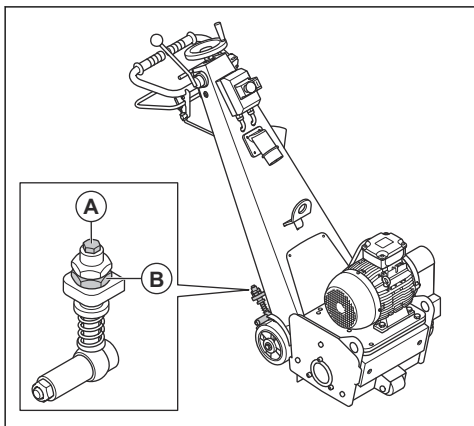
2. Déposez le capot latéral (B).
3. Retirez le tambour de scarification (C).
4. Nettoyez et lubrifiez l'arbre (D).
5. Posez le nouveau tambour de scarification (C) sur l'arbre (D).
6. Posez le capot latéral (B) sur le tambour de scarification (C).
7. Déposez les vis (A) et les rondelles.

Inspection du tambour de scarification

- Examinez l'usure du tambour de scarification. Remplacez-le s'il est endommagé, reportez-vous à la section *Remplacement du tambour de scarification à la page 49*.

Réglage de la pression de freinage

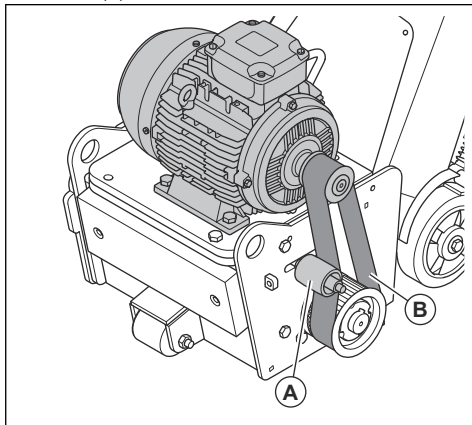
1. Desserrez les écrous.



2. Réglez le boulon (B).
 - a) Tournez le boulon vers le haut pour diminuer la pression.
 - b) Tournez le boulon vers le bas pour augmenter la pression.

Pour contrôler la courroie d'entraînement

- Vérifiez la tension. Si la tension n'est pas correcte, modifier la position horizontale de la poulie de tension (A).



- Assurez-vous que la courroie d'entraînement (B) ne présente pas de dommages ou de défauts visibles.

Recherche de pannes

Problème	Cause	Solution
Trop de vibrations et/ou de bruits inhabituels.	Les outils sont usés ou endommagés.	Remplacez les pièces usées ou endommagées.
	Le roulement est défectueux.	Vérifiez l'usure de l'axe de l'arbre d'entraînement et remplacez-le si nécessaire.
	Tension de la courroie d'entraînement incorrecte.	Contrôlez la tension de la courroie d'entraînement. Reportez-vous à la section <i>Pour contrôler la courroie d'entraînement à la page 50.</i>
	Le moteur est défectueux.	Remplacez le moteur.
Diminution ou disparition des performances de scarification.	Les outils sont usés ou endommagés.	Remplacez les pièces usées.
	Le type d'outils est incorrect pour la surface.	Remplacez les outils par des outils adaptés à la surface.
	–	BMP 265Petrol : Reportez-vous au manuel d'utilisation du moteur à combustion.
Le produit ne démarre pas.	BMP 265 : Le bouton d'arrêt d'urgence est engagé.	Tournez le bouton d'arrêt d'urgence dans le sens des aiguilles d'une montre pour le désengager.
	Un composant est défectueux.	Remplacez le composant défectueux.
	BMP 265 : Seule une phase est affichée sur le produit.	Contrôlez l'alimentation électrique.
	BMP 265 : La rallonge est débranchée ou endommagée.	Branchez la rallonge ou, si nécessaire, remplacez-la.
	BMP 265Petrol : Le réservoir de carburant ne contient pas de carburant.	Remplissez le réservoir de carburant. Reportez-vous à la section <i>Remplissage du réservoir de carburant BMP 265Petrol à la page 47.</i>
Arrêt du produit après un court instant.	BMP 265 : Le disjoncteur du moteur se déclenche en raison d'une surcharge.	Réduisez la charge.
	BMP 265 : Le moteur présente un défaut.	Vérifiez le moteur.

Transport, entreposage et mise au rebut

Transport



AVERTISSEMENT: soyez prudent lors du transport. Le produit est lourd et peut provoquer des blessures ou être endommagé en cas de chute ou de déplacement lors du transport.



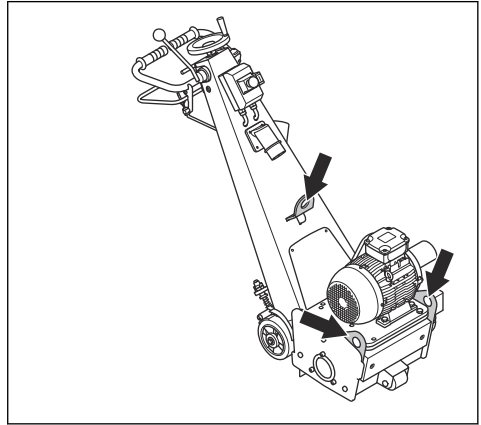
REMARQUE: tirez le levier de levage avant le transport. Les outils ne doivent pas toucher le sol pendant le transport.



REMARQUE: ne remorquez pas le produit derrière un véhicule.

- Les roues vous permettent de déplacer le produit sur de courtes distances. Pour de longues distances, soulevez le produit pour le déplacer ou le placer sur un véhicule.
- Placez une protection sur le produit pendant le transport. La protection permet que le produit n'entre pas en contact avec des éléments naturels, comme la pluie et la neige.

1. Fixez l'équipement de levage au niveau de l'anneau de levage.



2. Soulevez le produit de manière sécurisée.

Remisage



REMARQUE: N'entreposez pas le produit à l'extérieur. Gardez toujours le produit à l'intérieur.

- Conservez le produit dans un endroit sec et à l'abri du gel.
- Nettoyez le produit et effectuez un entretien complet avant de remiser le produit.
- Conservez le produit dans un endroit verrouillé afin que des enfants ou personnes qui ne sont pas autorisées à l'utiliser ne puissent pas y avoir accès.
- BMP 265Petrol : Videz le réservoir de carburant avant de remiser le produit pendant une longue période. Mettez le carburant au rebut dans une déchetterie appropriée.
- BMP 265Petrol : Utilisez uniquement des récipients homologués pour le transport et le stockage de carburant.

Mise au rebut

- Respectez les consignes locales de recyclage et la réglementation en vigueur.
- Mettez au rebut tous les produits chimiques tels que l'huile moteur ou le carburant à un centre d'entretien ou à une déchetterie appropriée.
- Lorsque vous n'utilisez plus le produit, renvoyez-le à un Husqvarna concessionnaire ou mettez-le au rebut dans une déchetterie.

Montée et descente du produit avec une rampe



AVERTISSEMENT: Soyez très prudent lorsque vous faites monter et descendre le produit sur des rampes. Le produit est lourd et il y a un risque de blessure si le produit tombe ou se déplace trop rapidement.



AVERTISSEMENT: Pour les rampes à pente raide, utilisez toujours un treuil. Ne marchez pas sur le produit et ne restez en dessous ou à proximité.

- Pour faire descendre le produit d'une rampe, déplacez-le lentement vers l'avant.
- Pour faire monter le produit sur une rampe, déplacez-le lentement vers l'arrière.
- Ne faites pas pivoter le produit vers la gauche ou vers la droite à plus de 45° sur une rampe.

Pour lever le produit



AVERTISSEMENT: Assurez-vous que l'équipement de levage présente la bonne spécification afin de soulever le produit en toute sécurité. La plaque signalétique sur le produit indique le poids du produit.



AVERTISSEMENT: ne marchez pas sur un produit soulevé et ne restez en dessous ou à proximité. Éloignez les personnes présentes de la zone de travail.



AVERTISSEMENT: Ne soulevez pas un produit endommagé. Vérifiez que le boulon de levage est bien fixé et en bon état.

Caractéristiques techniques

	BMP 265, 3x400V	BMP 265Petrol
Puissance du moteur, kW	5,5	6,0
Raccordement électrique, V/Hz	3x400/50	-
Carburant	-	Essence sans plomb
Ampérage, A	10,5	-
Lubrifiant	-	SAE 10W-30
Largeur de fonctionnement, mm	265	
Vitesse de rotation, min ⁻¹	1 440	
Longueur, mm	1 260	
Largeur, mm	500	
Hauteur, mm	1 160	
Poids, kg	175	190
Émissions sonores		
Niveau de puissance acoustique mesuré L _W (dB(A))	96	
Niveaux sonores		
Niveau de pression sonore à l'oreille des opérateurs, L _p , (dB(A))	115	
Niveau de vibrations (poignée), m/s ²	5,1	6,3
Diamètre du raccord du tuyau à poussière, mm	75	
Unité de filtre applicable	Parlez-en à votre revendeur Husqvarna.	

Déclaration relative au bruit et aux vibrations

Ces valeurs déclarées ont été obtenues grâce à des essais types effectués en laboratoire conformément à la directive ou aux normes mentionnées. Elles conviennent à l'établissement d'une comparaison avec les valeurs déclarées d'autres produits testés conformément aux mêmes normes ou à la même directive. Ces valeurs ne sont pas adaptées à une utilisation à des fins

d'évaluations des risques ; les valeurs mesurées dans différents lieux de travail peuvent être plus élevées. Les valeurs d'exposition réelles et les risques de blessures rencontrés par chaque utilisateur sont uniques et dépendent de la manière dont l'utilisateur travaille, dans quel matériau le produit est utilisé, mais aussi de la durée d'exposition, de la condition physique de l'utilisateur et de l'état du produit.

Rallonges

Longueur du câble	Section transversale			
	≤ 16 A	≤ 32 A	≤ 63 A	≤ 125 A
Calculé au niveau d'un pré-fusible GG ³ :	16 A	32 A	63 A	125 A
> 20 m	1,5 mm ²	2,5 mm ²	10 mm ²	25 mm ²
20 m > 50 m	2,5 mm ²	4 mm ²	10 mm ²	25 mm ²

³ Les sections transversales doivent être recalculées lorsque des pré-fusibles de type ou de dimension différents sont utilisés.

Longueur du câble	Section transversale			
	≤ 16 A	≤ 32 A	≤ 63 A	≤ 125 A
50 m > 75 m	4 mm ²	6 mm ²	16 mm ²	35 mm ²

Déclaration de conformité

Déclaration de conformité UE

Nous, Husqvarna AB, SE-561 82 Huskvarna, Suède,
tél : +46- 36-146500, déclarons sous notre entière
responsabilité que le produit :

Description	Scarificateurs
Marque	Husqvarna
Type/Modèle	BMP 265
Identification	Numéros de série à partir de 2022 et ultérieurs

est entièrement conforme à la réglementation et aux
directives de l'UE suivantes :

Directive/Réglementation	Description
2006/42/EC	« relative aux machines »
2014/30/UE	« relative à la compatibilité électromagnétique »

et que les normes et/ou les spécifications techniques
suivantes sont appliquées :

EN ISO 12100:2010, EN 60204-1:2006

Partille, 2022-01-24



Martin Huber

Directeur R&D, surfaces et sols en béton

Husqvarna AB, division Construction

Responsable de la documentation technique



Déclaration de conformité UE

Nous, Husqvarna AB, SE-561 82 Huskvarna, Suède,
tél : +46- 36-146500, déclarons sous notre entière
responsabilité que le produit :

Description	Scarificateurs
Marque	Husqvarna
Type/Modèle	BMP 265Petrol
Identification	Numéros de série à partir de 2022 et ultérieurs

est entièrement conforme à la réglementation et aux
directives de l'UE suivantes :

Directive/Réglementation	Description
2006/42/EC	« relative aux machines »
2014/30/UE	« relative à la compatibilité électromagnétique »

et que les normes et/ou les spécifications techniques
suivantes sont appliquées :

EN ISO 12100:2010

Partille, 2022-01-24



Martin Huber

Directeur R&D, surfaces et sols en béton

Husqvarna AB, division Construction

Responsable de la documentation technique



Inhoud

Inleiding.....	57	Probleemoplossing.....	69
Veiligheid.....	59	Vervoer, opslag en verwerking.....	69
Werking.....	65	Technische gegevens.....	70
Onderhoud.....	66	Verklaring van overeenstemming.....	72

Inleiding

Productbeschrijving

Het product is een frees. BMP 265 wordt aangedreven door een elektrische motor en BMP 265Petrol wordt aangedreven door een verbrandingsmotor.

Gebruik

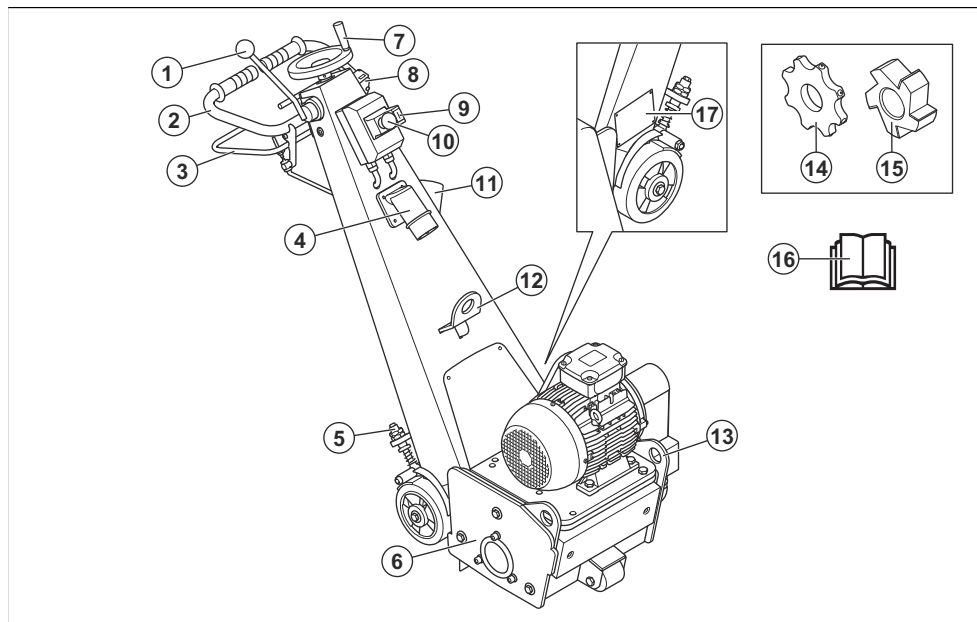
Het product wordt gebruikt om oppervlakken ruw te maken en om lagen en wegmarkeringen te verwijderen.

Het product kan worden gebruikt op oppervlakken zoals beton, asfalt, steen en staal.

Het product wordt voor commerciële toepassingen gebruikt door professionele gebruikers.

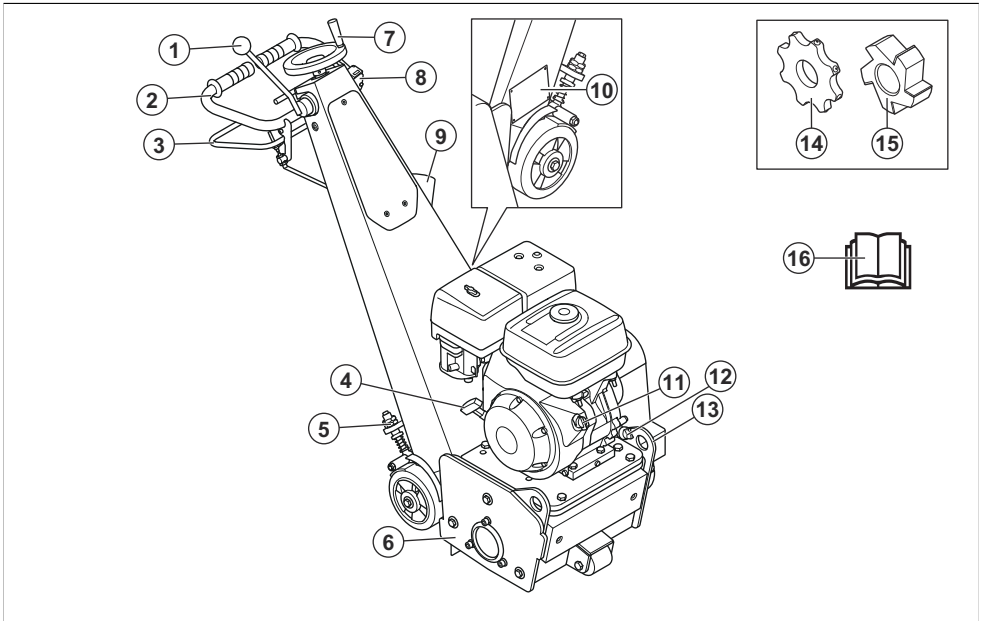
Gebruik het product niet voor andere taken.

Productoverzicht BMP 265



- | | |
|--------------------------------|---------------------------------|
| 1. Hefhendel | 10. Noodstopknop |
| 2. Handgreep | 11. Aansluiting voor stofzuiger |
| 3. Remhendel | 12. Hijssoog |
| 4. Stroomaansluiting | 13. Hijssoog |
| 5. Bout voor remdrukafstelling | 14. Mes |
| 6. Zijkap | 15. Freesnijder |
| 7. Diepte-afstelwiel | 16. Bedieningshandleiding |
| 8. Dodemansregeling (OPC) | 17. Typeplaatje |
| 9. Startknop | |

Productoverzicht BMP 265Petrol



1. Hefhendel
2. Handgreep
3. Remhendel
4. Startkoordgreep
5. Bout voor remdrukafstelling
6. Zijkap
7. Diepte-afstelwiel
8. Dodemansregeling (OPC)
9. Aansluiting voor stofzuiger
10. Typeplaatje
11. ON/OFF-schakelaar motor
12. Olietankdop
13. Hjijs oog
14. Mes
15. Freessnijder
16. Bedieningshandleiding



Houd alle lichaamsdelen uit de buurt van hete oppervlakken.



Hijspunt.



Lees de handleiding goed door en zorg dat u de instructies hebt begrepen voordat u het product gebruikt.



Gebruik goedgekeurde ademhalingsbescherming.



Gebruik goedgekeurde gehoorbescherming.



Gebruik goedgekeurde oogbescherming.

Symbolen op het product



Waarschuwing: Dit product kan gevaarlijk zijn en ernstig of fataal letsel toebrengen aan de gebruiker of anderen. Wees voorzichtig en gebruik het product op de juiste manier.



Hoogspanning.



Draag goedgekeurde veiligheidshandschoenen.



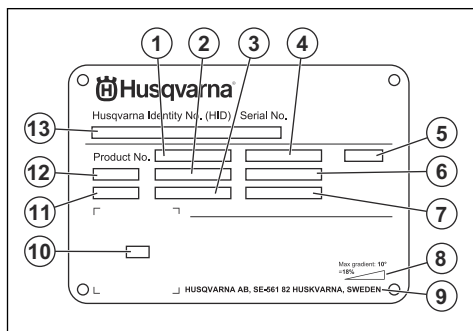
Draag goedgekeurde veiligheidslaarzen



Dit product voldoet aan de geldende EU-richtlijnen.

Let op: Overige op het product aangebrachte symbolen/plaatjes verwijzen naar specifieke eisen aan certificering voor bepaalde markten.

Typeplaatje



1. Productnummer
2. Gewicht van het product
3. Nominaal vermogen
4. Nominale spanning
5. Behuizing
6. Nominale stroom
7. Frequentie
8. Maximale hellingshoek
9. Fabrikant
10. Scanbare code
11. Bouwjaar
12. Model
13. Serienummer

Productaansprakelijkheid

Zoals uiteengezet in de wet voor productaansprakelijkheid zijn wij niet aansprakelijk voor schade die door ons product wordt veroorzaakt, indien:

- het product niet goed is gerepareerd.
- het product is gerepareerd met onderdelen die niet van de fabrikant afkomstig zijn, of onderdelen die niet zijn goedgekeurd door de fabrikant.
- het product een accessoire bevat dat niet afkomstig is van de fabrikant of niet is goedgekeurd door de fabrikant.
- het product niet is gerepareerd door een erkend servicepunt of door een erkende autoriteit.

Veiligheid

Veiligheidsdefinities

Waarschuwingen, voorzorgsmaatregelen en opmerkingen worden gebruikt om te wijzen op belangrijke delen van de handleiding.



WAARSCHUWING: Wordt gebruikt om te wijzen op de kans op ernstig of fataal letsel voor de gebruiker of omstanders wanneer de instructies in de handleiding niet worden gevolgd.



OPGELET: Wordt gebruikt indien er een risico bestaat op schade aan het product en andere eigendommen of aan de omgeving wanneer de instructies in de handleiding niet worden gevolgd.

Let op: Geven verdere informatie die nodig is in een bepaalde situatie.

Algemene veiligheidsinstructies



WAARSCHUWING: Lees de volgende waarschuwingen voordat u het product gaat gebruiken.

- Dit product kan bij onvoorzichtig of onjuist gebruik een gevaarlijk gereedschap zijn. Dit product kan ernstig of fataal letsel toebrengen aan de gebruiker of anderen. Het is erg belangrijk dat u deze gebruiksaanwijzing leest en begrijpt voordat u dit product gaat gebruiken.
- Bewaar alle waarschuwingen en instructies.
- U dient alle toepasselijke wet- en regelgeving in acht te nemen.
- De gebruiker en de werkgever van de gebruiker dienen op te hoogte te zijn van de risico's tijdens het gebruik van het product en moeten deze voorkomen.
- Zorg ervoor dat dit product alleen wordt gebruikt door personen die de inhoud van de gebruikershandleiding hebben gelezen en begrepen.

- Gebruik het product alleen als u voorafgaand aan gebruik training hebt ontvangen. Zorg ervoor dat alle gebruikers getraind worden.
- Laat het product niet door een kind bedienen.
- Het product mag alleen worden gebruikt door goedgekeurde personen.
- De gebruiker is verantwoordelijk indien ongelukken gebeuren met andere mensen of hun eigendommen.
- Gebruik het product nooit als u moe of ziek bent, of onder invloed van alcohol, drugs of medicijnen verkeert.
- Wees altijd voorzichtig en gebruik uw gezond verstand.
- Dit product produceert tijdens bedrijf een elektromagnetisch veld. Dit veld kan onder bepaalde omstandigheden de werking van actieve of passieve medische implantaten verstoren. Om het risico op ernstig of fataal letsel te verminderen, raden we personen met een medisch implantaat aan om contact op te nemen met hun arts en de fabrikant van het medische implantaat voordat ze dit product gebruiken.
- Houd het product schoon. Zorg ervoor dat u de aanduidingen en stickers duidelijk kunt lezen.
- Gebruik het product niet als het defect is.
- Breng geen wijzigingen aan dit product aan.
- Gebruik het product niet als de mogelijkheid bestaat dat andere personen wijzigingen aan het product hebben aangebracht.
- BMP 265Petrol: Stop de motor voordat u het product achterlaat. Zorg ervoor dat er geen risico op onbedoeld starten bestaat.
- Zorg ervoor dat er geen kleding, lang haar en sieraden vast komen te zitten in bewegende delen
- Zorg ervoor dat u stabiel en veilig staat tijdens het gebruik.
- Gebruik het product alleen op horizontale oppervlakken.
- Gebruik het product alleen als u weet dat u hulp kunt krijgen indien zich een ongeval voordoet
- Gebruik altijd goedgekeurde accessoires. Neem voor meer informatie contact op met uw Husqvarna-dealer.
- Als er trillingen optreden in het product of als het geluidsniveau van het product ongewoon hoog is, dient u het product onmiddellijk te stoppen. Controleer het product op schade. Repareer schade of laat een erkende servicewerkplaats de reparatie uitvoeren.
- Sluit het product aan op een stofzuiger om het stof te verwijderen.
- Trek niet aan de slang van de stofzuiger. Het product kan vallen en letsel of schade veroorzaken.
- Houd de stofzuiger ingeschakeld tot de motor volledig stopt.
- Zorg ervoor dat de freeskop het oppervlak niet raakt wanneer u het product start.
- BMP 265: Controleer de draairichting van de motor. Een pijl op de behuizing van de motor laat de correcte richting van de motor zien.
- Bedien het product alleen van achteren, met uw handen op de handgreep.
- Zorg ervoor dat er geen vet of olie op de handgrepen zit.
- Houd tijdens bedrijf de twee wielen altijd op de grond.

Veiligheidsinstructies voor bediening



WAARSCHUWING: Lees de volgende waarschuwingen voordat u het product gaat gebruiken.

- Maak altijd gebruik van persoonlijke beschermingsmiddelen. Zie *Persoonlijke beschermingsuitrusting op pagina 62*.
- Overmatige blootstelling aan trillingen kan bloedvat- en zenuwbeschadigingen veroorzaken bij personen met een verminderde bloedcirculatie. Consulteer een arts wanneer u symptomen heeft die wijzen op te grote blootstelling aan trillingen. Dergelijke symptomen zijn slapende vingers e.d., geen gevoel, 'kriebelend' gevoel, 'speldenprikken', pijn, geen of weinig kracht, huidverkleuringen of veranderingen van het huidoppervlak. Deze symptomen worden meestal waargenomen in de vingers, handen of polsen.
- Gebruik het product niet zonder dat alle beschermkappen zijn gemonteerd.
- Zorg ervoor dat u weet hoe u de motor in een noodsituatie snel kunt stoppen.
- BMP 265: Voordat u het product achterlaat, moet u de motor stopzetten en de voedingskabel afkoppelen. Zorg ervoor dat er geen risico op onbedoeld starten bestaat.

Trillingsveiligheid



WAARSCHUWING: Lees de volgende waarschuwingen voordat u het product gaat gebruiken.

- Tijdens het gebruik van het product gaan trillingen van het product naar de gebruiker. Regelmatig en frequent gebruik van het product kan letsel bij de gebruiker veroorzaken of verergeren. Letsel kan optreden in vingers, handen, polsen, armen, schouders en/of zenuwen en bloedtoevoer of andere lichaamsdelen. Het letsel kan slepend en/of blijvend zijn, en het kan geleidelijk toenemen in de loop van weken, maanden of jaren. Het letsel kan bestaan uit schade aan het bloedcirculatiesysteem, het zenuwstelsel, de gewrichten en andere lichaamsstructuren.
- Symptomen kunnen zich voordoen tijdens het gebruik van het product of op andere momenten. Als u symptomen hebt en het product blijft gebruiken,

kunnen de symptomen toenemen of permanent worden. Als deze of andere symptomen zich voordoen, neem dan medische hulp:

- Verstijving, gevoelloosheid, tintelingen, prikken, pijn, een brandend gevoel, kloppen, stijfheid, onhandigheid, krachtverlies, veranderingen in huidskleur of conditie.
- Symptomen kunnen toenemen bij lage temperaturen. Gebruik warme kleding en houd uw handen warm en droog wanneer u het product in koude omgevingen gebruikt.
- Voer onderhoud uit aan en bedien het product zoals vermeld in de gebruikershandleiding, om een correct trillingsniveau te handhaven.
- Het product heeft een trillingsdempingsysteem dat de trillingen van de handgrepen naar de gebruiker vermindert. Laat het product het werk doen. Duw het product niet met kracht vooruit. Houd het product lichtjes vast aan de handgrepen, maar zorg ervoor dat u het product onder controle hebt en het veilig bedient. Duw de handgrepen niet verder dan nodig tegen de eindaanslagen.
- Houd uw handen alleen op het handvat of de handgrepen. Houd alle andere lichaamsdelen uit de buurt van het product.
- Stop het product onmiddellijk als er plotseling sterke trillingen optreden. Ga niet verder met het gebruik tot de oorzaak van de toegenomen trillingen is weggenomen.

Bescherming tegen stof



WAARSCHUWING: Lees de volgende waarschuwingen voordat u het product gaat gebruiken.

- Gebruik van het product kan stof in de lucht veroorzaken. Stof kan ernstig letsel en permanente gezondheidsproblemen veroorzaken. Silicastof wordt door verschillende instanties als schadelijk beschouwd. Hieronder volgen enkele voorbeelden van dergelijke gezondheidsproblemen:
 - De fatale longaandoeningen chronische bronchitis, silicose en longfibrose
 - Kanker
 - Geboortefwijkingen
 - Huidontsteking
- Gebruik de juiste apparatuur om de hoeveelheid stof en dampen in de lucht te verminderen en om stof op werkkleding, oppervlakken, kleding en lichaamsdelen te verminderen. Voorbeelden van beschermende elementen zijn stofopvangsystemen en watersprays om het stof te binden. Verminder waar mogelijk stof bij de bron. Zorg ervoor dat de apparatuur correct wordt geïnstalleerd en gebruikt en dat er regelmatig onderhoud wordt uitgevoerd.
- Gebruik goedgekeurde ademhalingsbescherming. Zorg ervoor dat adembescherming wordt gebruikt bij gevaarlijke materialen in het werkgebied.

- Zorg ervoor dat er toereikende ventilatie in het werkgebied is.
- Richt indien mogelijk de uitlaat van het product op een plaats waar er geen stof in de lucht kan komen.

Geluidsveiligheid



WAARSCHUWING: Lees de volgende waarschuwingen voordat u het product gaat gebruiken.

- Hoge geluidsniveaus en langdurige blootstelling aan lawaai kunnen gehoorverlies veroorzaken.
- Om het geluidsniveau tot een minimum te beperken, moet u het product onderhouden en bedienen zoals beschreven in de gebruikershandleiding.
- Gebruik goedgekeurde gehoorbescherming wanneer u het product gebruikt.
- Let op alarmsignalen en luide stemmen wanneer u gehoorbescherming gebruikt. Verwijder de gehoorbescherming wanneer het product is gestopt, tenzij gehoorbescherming nodig is voor het geluidsniveau in de werkomgeving.

Veiligheidsaanwijzingen in verband met uitlaatgassen



WAARSCHUWING: Lees de volgende waarschuwingen voordat u het product gaat gebruiken.

- Uitlaatgassen van de motor bevatten koolmonoxide, een geurloos, giftig en uiterst gevaarlijk gas. Het inademen van koolmonoxide kan de dood tot gevolg hebben. Omdat koolmonoxide geurloos en niet zichtbaar is, is het niet mogelijk om het waar te nemen. Een symptoom van koolmonoxidevergiftiging is duizeligheid, maar het is mogelijk dat een persoon onverwacht bewusteloos raakt als de hoeveelheid of concentratie koolmonoxide voldoende is.
- Uitlaatgassen bevatten ook onverbrande koolwaterstoffen, waaronder benzeen. Langdurig inademen hiervan kan gezondheidsproblemen veroorzaken.
- Uitlaatgassen die u kunt zien of ruiken, bevatten ook koolmonoxide.
- Gebruik een product met verbrandingsmotor niet binnen of in ruimten met onvoldoende luchtstroom.
- Adem geen uitlaatgassen in.
- Zorg ervoor dat er toereikende ventilatie in het werkgebied is. Dit is zeer belangrijk wanneer u het product gebruikt in greppels of andere kleine werkgebieden waar uitlaatgassen zich gemakkelijk kunnen verzamelen.

Persoonlijke beschermingsuitrusting



WAARSCHUWING: Lees de volgende waarschuwingen voordat u het product gaat gebruiken.

- Draag tijdens het gebruik van het product altijd goedgekeurde persoonlijke beschermingsuitrusting. Persoonlijke beschermingsuitrusting kunnen niet alle risico's uitsluiten maar kunnen de ernst van eventueel letsel helpen beperken. Vraag uw dealer u te helpen bij het kiezen van de juiste beschermingsuitrusting.
- Controleer regelmatig de toestand van uw persoonlijke beschermingsmiddelen.
- Draag een goedgekeurde veiligheidshelm.
- Gebruik goedgekeurde gehoorbescherming.
- Gebruik goedgekeurde ademhalingsbescherming.
- Gebruik goedgekeurde oogbescherming met zijbescherming.
- Draag veiligheidshandschoenen.
- Gebruik laarzen met stalen neus en antislipzool.
- Gebruik goedgekeurde werkkleding of gelijkwaardige nauwsluitende kleding met lange mouwen en lange broekspijpen.

Brandblusser

- Zorg dat er een brandblusser in de buurt is tijdens het gebruik van dit product.
- Gebruik een poederblusser of een kooldioxidebrandblusser.

Veiligheid van het werkgebied



WAARSCHUWING: Lees de volgende waarschuwingen voordat u het product gaat gebruiken.

- Gebruik het product niet bij mist, regen, harde wind, koud weer, risico op blikseminslag of andere slechte weersomstandigheden.
- Gebruik het product niet in gebieden waar brand of explosies kunnen optreden.
- Houd kinderen, omstanders en dieren weg van het werkgebied en op veilige afstand van het product.
- Zorg ervoor dat er alleen goedgekeurde personen in het werkgebied zijn.
- Zorg dat het werkgebied schoon en voldoende verlicht is.
- Verwijder objecten zoals schroeven, bouten, draden en stenen uit het werkgebied voordat u het product gaat gebruiken.
- Zorg ervoor dat er geen kabels of slangen in de werkrichting van het product zijn.
- Zorg ervoor dat er een voldoende luchtstroom op de werkplek is.

Elektrische veiligheid



WAARSCHUWING: Er is altijd kans op schokken van elektrische producten. Gebruik het product niet bij slecht weer. Raak geen bliksemafleiders en metalen voorwerpen aan. Gebruik het product altijd zoals in deze bedieningshandleiding wordt beschreven om letsel te voorkomen.



WAARSCHUWING: Gebruik altijd een voeding met aardlekschakelaar. Een aardlekschakelaar vermindert de kans op een elektrische schok.



WAARSCHUWING: Hoogspanning. Er bevinden zich onbeschermd onderdelen in de voedingsseenheid. Haal altijd de stekker uit het stopcontact voordat u de deur van het regelkastje opent.



OPGELET: De voeding van het product of de generator moet krachtig genoeg en constant zijn om de motor probleemloos te kunnen laten werken. Een onjuiste spanning heeft tot gevolg dat het stroomverbruik en de temperatuur van de motor toenemen totdat het veiligheidscircuit wordt geactiveerd. De afmetingen van de voedingskabel moeten overeenstemmen met de nationale en lokale voorschriften. De afmetingen van het stopcontact moeten overeenstemmen met de stroomsterkte voor het stopcontact en de verlengkabel van het product.

Als het elektriciteitsnet een hogere systeemweerstand heeft, kan er kort spanningsverlies optreden wanneer het product wordt gestart. Dit kan invloed hebben op de werking van andere producten en bijvoorbeeld flikkerende lichten veroorzaken.

- Controleer of de spanning van het elektriciteitsnet en de zekering overeenkomt met de spanning die wordt aangegeven op het productplaatje van het product.
- Stop het product altijd voordat u de stekker uit het stopcontact haalt.
- Gebruik het product niet als de voedingskabel of de stekker beschadigd is. Brengt het ter reparatie naar een erkend servicepunt. Een beschadigde voedingskabel kan ernstig letsel en de dood veroorzaken.
- Gebruik de voedingskabel op de juiste manier. Gebruik de voedingskabel niet om het product te verplaatsen, te trekken of los te koppelen. Trek aan

de stekker om de voedingskabel los te koppelen. Trek niet aan de voedingskabel.

- Gebruik het product niet in water met een zodanige diepte dat het product nat wordt. De apparatuur kan beschadigd raken en het product kan onder stroom komen te staan en letsel veroorzaken.
- Zorg ervoor dat er geen ander vocht in het product komt dan water dat afkomstig is van het waterleidingnet. Stel het product niet bloot aan regen. Water dat het product binnendringt, verhoogt het risico op elektrische schokken.
- Verwijder de voedingskabel altijd voordat u de verbinding voor de motorkabel en de controlekast aansluit of loskoppelt.

Instructies voor geaard product



WAARSCHUWING: Een verkeerde aansluiting kan leiden tot elektrische schokken. Raadpleeg een erkende elektricien als u niet zeker weet of de contactdoos van het elektriciteitsnet correct geaard is.

Breng geen wijzigingen aan de stekker aan ten opzichte van de fabrieksspecificatie. Als de stekker of de voedingskabel beschadigd is of moet worden vervangen, raadpleeg dan uw Husqvarna-servicewerkplaats. Volg de lokale regel- en wetgeving.

Neem contact op met een erkende elektricien als u de instructies over het geaarde product niet volledig begrijpt.

Gebruik alleen geaarde verlengkabels voor buitengebruik met geaarde stekkers en geaarde contactdozen die geschikt zijn voor de stekker van het product.

Het product heeft een geaarde stekker. Sluit het product altijd aan op een geaard stopcontact. Dit vermindert het risico op elektrische schokken in geval van een storing.

Gebruik geen adapters in combinatie met het product.

Verlengkabels

- Gebruik alleen goedgekeurde verlengkabels met voldoende lengte.
- De markering op de verlengkabel moet gelijk zijn aan of hoger zijn dan de waarde op het productplaatje van het product.
- Gebruik geaarde verlengkabels.
- Gebruik een verlengkabel die geschikt is voor gebruik buitenshuis wanneer u buiten werkt met het product. Dit vermindert de kans op een elektrische schok.
- Houd de aansluiting op de verlengkabel droog en zorg dat deze de grond niet raakt.
- Houd de verlengkabel uit de buurt van hitte, olie, scherpe randen en bewegende delen. Een

beschadigde kabel verhoogt het risico op elektrische schokken.

- Controleer of de verlengkabel in goede staat verkeert en niet beschadigd is.
- Gebruik de verlengkabel niet in opgerolde toestand. Daardoor kan de kabel oververhit raken.
- Zorg ervoor dat de verlengkabel achter u en het product ligt wanneer u het product gebruikt. Zo voorkomt u dat de verlengkabel beschadigd raakt.

Veiligheidsvoorzieningen op het product



WAARSCHUWING: Lees de volgende waarschuwingen voordat u het product gaat gebruiken.

- Gebruik het product nooit wanneer de veiligheidsvoorzieningen defect zijn.
- Controleer de veiligheidsvoorzieningen regelmatig op een juiste werking. Als de veiligheidsvoorzieningen defect zijn, neem dan contact op met uw Husqvarna servicewerkplaats.

Wielremmen

De remhendel bedient de wielremmen. De remmen worden ingeschakeld als de remhendel in neutrale positie is. De remmen worden gelost als de remhendel in de richting van de handgreep wordt getrokken.

Controleer de wielremmen

1. Start het product. Zie *Product starten op pagina 66*.
2. Zorg ervoor dat het product niet beweegt. Als het product beweegt, stelt u de remdruk af. Raadpleeg [xref].

Dodemensregeling (OPC) BMP 265

Als de OPC is ingeschakeld, stopt de motor. Zie *De OPC controleren BMP 265 op pagina 63*.

De OPC controleren BMP 265

1. Start het product. Zie *Product starten op pagina 66*.
2. Om de OPC uit te trekken, zie *Dodemensregeling (OPC) BMP 265 op pagina 63*. Als de motor niet binnen 3 seconden stopt, neem dan contact op met een erkende Husqvarna-servicewerkplaats.

Noodstopknop BMP 265

De noodstopknop wordt gebruikt om de motor snel te stoppen. De noodstopknop schakelt de netvoeding uit. Raadpleeg *Productoverzicht BMP 265 op pagina 57* voor informatie over de locatie van de noodstopknop op uw product.

De noodstopknop controleren BMP 265

Raadpleeg *Productoverzicht BMP 265 op pagina 57* voor informatie over de locatie van de noodstopknop op uw product.

1. Draai de noodstopknop rechtsom om ervoor te zorgen dat de noodstopknop wordt uitgeschakeld.
2. Start het product. Zie *Product starten op pagina 66*.
3. Druk op de noodstopknop.
4. Zorg ervoor dat de motor stopt.
5. Draai de noodstopknop rechtsom om deze uit te schakelen.

AAN/UIT-schakelaar motorBMP 265Petrol

Het product start alleen wanneer de AAN/UIT-schakelaar van de motor op "AAN" staat. De motor stopt wanneer u de AAN/UIT-schakelaar van de motor op "UIT" zet.

De AAN/UIT-schakelaar van de motor controleren

1. Start de motor. Zie *Product starten op pagina 66*.
2. Zet de AAN/UIT-schakelaar van de motor op "UIT". De motor stopt.

Zijkap

De zijkap houdt stof en vuil uit de buurt van de gebruiker.

De zijklep controleren

- Zorg ervoor dat de gaten op de zijkap niet versleten zijn en dat de schroeven helemaal zijn aangehaald.

Brandstofveiligheid



WAARSCHUWING: Lees de volgende waarschuwingen voordat u het product gaat gebruiken.

- Brandstof is brandbaar en de dampen zijn explosief. Wees voorzichtig met brandstof om letsel, brand en explosies te voorkomen.
- Adem geen brandstofdampen in. De brandstofdampen zijn giftig en kunnen letsel veroorzaken. Zorg voor voldoende ventilatie.
- Verwijder de brandstoftankdop niet en vul de tank niet bij wanneer de motor draait.
- Laat de motor afkoelen voordat u brandstof bijvult.
- Vul binnenshuis geen brandstof bij. Onvoldoende ventilatie kan leiden tot ernstig letsel of de dood door verstikking of het inademen van koolmonoxide.
- Rook niet in de buurt van de brandstof of de motor.
- Plaats geen warme voorwerpen in de buurt van de brandstof of de motor.
- Vul geen brandstof bij in de nabijheid van vonken of open vuur.

- Draai de tankdop langzaam open en laat de druk voorzichtig ontsnappen voordat u brandstof bijvult.
- Brandstof op uw huid kan letsel veroorzaken. Als er brandstof op uw huid terecht komt, verwijder deze dan met water en zeep.
- Als u brandstof op uw kleding morst, trek dan direct andere kleding aan.
- Vul de brandstoftank niet volledig. Door hitte zet de brandstof uit. Zorg ervoor dat er ruimte overblijft aan de bovenkant van de brandstoftank.
- Draai de tankdop volledig aan. Als de tankdop niet volledig is aangedraaid, bestaat een risico op brand.
- Voordat u het product start, moet u het product verplaatsen naar een afstand van minimaal 3 m vanaf het punt waar u hebt getankt.
- Start het product niet als er brandstof of motorolie op het product aanwezig is. Verwijder de ongewenste brandstof en motorolie en laat het product drogen voordat u de motor start.
- Controleer de motor regelmatig op lekkage. Bij lekkage in het brandstofsysteem mag u de motor niet starten zolang de lekken niet gerepareerd zijn.
- Gebruik uw vingers niet om de motor op lekkage te controleren.
- Bewaar brandstof in goedgekeurde containers.
- Wanneer het product en de brandstof worden opgeslagen, moet u ervoor zorgen dat brandstof en brandstofdampen geen schade kunnen veroorzaken.
- Tap brandstof af in een daarvoor goedgekeurde container, en doe dat buiten en niet in de nabijheid van vonken en open vuur.

Veiligheidsinstructies voor onderhoud



WAARSCHUWING: Lees de volgende waarschuwingen voordat u het product gaat gebruiken.

- Maak altijd gebruik van persoonlijke beschermingsmiddelen. Zie *Persoonlijke beschermingsuitrusting op pagina 62*.
- Voer alleen onderhoud uit zoals beschreven in deze bedieningshandleiding. Laat een goedgekeurde servicewerkplaats alle andere onderhoudswerkzaamheden uitvoeren.
- Als het onderhoud niet correct en regelmatig wordt uitgevoerd, neemt de kans op letsel of schade aan het product toe.
- Maak het product schoon om gevaarlijk materiaal te verwijderen voordat u het onderhoud uitvoert.
- Voordat u onderhoud uitvoert moet u het product stoppen en onbedoeld starten voorkomen:
 - BMP 265: Stop de motor, trek de dodemansregeling eruit en trek de stekker eruit.
 - BMP 265Petrol: Stop de motor en trek de dodemansregeling eruit.

- Zorg ervoor dat u onderhoudswerkzaamheden aan het product uitvoert op een stabiele, horizontale ondergrond.
- Breng geen wijzigingen aan het product aan. Wijzigingen aan het product die niet zijn goedgekeurd door de fabrikant, kunnen leiden tot ernstig letsel of overlijden.
- Vervang beschadigde, versleten of defecte onderdelen.
- Gebruik altijd originele accessoires en reserveonderdelen. Accessoires en wijzigingen die niet zijn goedgekeurd door de fabrikant, kunnen leiden tot ernstig letsel of overlijden.
- Controleer na onderhoud het trillingsniveau in het product. Als dit niet correct is, neemt u contact op met een erkende servicewerkplaats.
- Laat een erkende servicewerkplaats regelmatig onderhoud aan het product uitvoeren.

Werking

Inleiding



WAARSCHUWING: Voordat u het product gaat gebruiken, dient u het hoofdstuk over veiligheid te lezen en hebben begrepen.

Voordat u het product gebruikt

1. Lees de gebruikershandleiding zorgvuldig door en zorg dat u de instructies hebt begrepen.
2. BMP 265Petrol: Lees de bedieningshandleiding van de verbrandingsmotor zorgvuldig door en zorg dat u de instructies hebt begrepen.
3. Lees de gebruikershandleiding voor de stofzuiger zorgvuldig door en zorg dat u de instructies hebt begrepen.
4. Maak altijd gebruik van persoonlijke beschermingsmiddelen. Zie *Persoonlijke beschermingsuitrusting op pagina 62*.
5. Zorg ervoor dat er alleen goedgekeurde personen in het werkgebied zijn.
6. Voer dagelijks onderhoud uit. Zie *Onderhoudsschema op pagina 66*.
7. Controleer of het product goed gemonteerd en niet beschadigd is.
8. Plaats het product in het werkgebied. Controleer of het oppervlak vlak is. Zorg ervoor dat het vervoer van het product naar en in het werkgebied veilig en correct wordt uitgevoerd. Zie *Transport op pagina 69*.
9. Zorg ervoor dat het freeskop de grond niet raakt.
10. Zorg ervoor dat de snijwerktuigen vrij kunnen bewegen op de as van de freeskop.
11. Sluit een stofzuiger aan op het product. Zie *Stofzuiger aansluiten op pagina 65*.
12. BMP 265: Sluit het product aan op een stroombron. Zie *Het product op een stroombron aansluiten BMP 265 op pagina 65*.
13. BMP 265Petrol: Vul de brandstoftank. Zie *Brandstof bijvullen BMP 265Petrol op pagina 65*.
14. BMP 265Petrol: Controleer het oliepeil. Raadpleeg de bedieningshandleiding voor de verbrandingsmotor.

15. BMP 265: Controleer de rotatierichting van de motor. Een pijl op de behuizing van de motor laat de correcte richting van de motor zien. Wijzig de richting van de motor als dat nodig is. Zie *De rotatierichting van de motor veranderen BMP 265 op pagina 67*.

Stofzuiger aansluiten



WAARSCHUWING: Gebruik de stofzuiger niet als de slang ervan beschadigd is. U loopt in dat geval meer risico dat u stof inademt dat schadelijk is voor uw gezondheid. Gebruik goedgekeurde ademhalingsbescherming.

1. Controleer de slang van de stofzuiger op schade.
2. Controleer of de filters in de stofzuiger schoon en onbeschadigd zijn.
3. Sluit de slang van de stofzuiger aan op de aansluiting voor de stofzuiger. Raadpleeg *Technische gegevens op pagina 70* voor informatie over de locatie van de aansluiting voor de stofzuiger op uw product.

Het product op een stroombron aansluiten BMP 265

1. Sluit de stekker van het product aan een toepasselijke verlengkabel.
2. Sluit de verlengkabel aan op een stopcontact.



OPGELET: Als het product is aangesloten op een stofzuiger, moet de stofzuiger worden aangesloten op een driedfasige stroombron.

Brandstof bijvullen BMP 265Petrol

Gebruik emissiearme of alkylaatzbenzine, indien beschikbaar. Als er geen emissiearme of alkylaatzbenzine beschikbaar is, gebruik dan een loodvrije benzine van goede kwaliteit, of loodhoudende benzine met een octaangetal dat niet lager is dan 90.



OPGELET: Gebruik geen benzine met een octaangetal lager dan 90 RON (87

AKI). Dit kan schade aan het product veroorzaken.

1. Draai de brandstoftankdop langzaam los om de druk te laten ontsnappen.
2. Vul langzaam met een benzinejerrycan. Als u brandstof morst, verwijder deze dan met een doek en laat de resterende brandstof opdrogen.
3. Maak het gebied rondom de brandstoftankdop goed schoon.
4. Draai de tankdop volledig aan. Als de tankdop niet volledig is aangedraaid, bestaat een risico op brand.
5. Verplaats het product minstens 3 m (10 ft) van de plaats waar u de brandstoftank hebt gevuld, voordat u het product start.

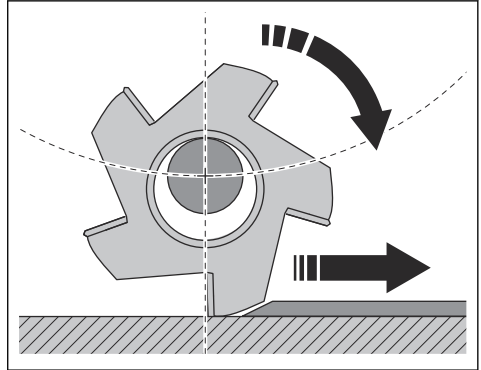
Product starten

1. Zorg ervoor dat de hefhendel en het diepte-afstelwiel in positie zijn.
2. Zorg ervoor dat de remmen zijn ingeschakeld.
3. Start de stofzuiger.
4. Plaats het snoer van de dodemansregeling om uw linkerpol.
5. BMP 265Petrol: Zet de ON/OFF-schakelaar van de motor op 'ON'.
6. Start het product:
 - a) BMP 265: Druk op de startknop.
 - b) BMP 265Petrol: Trek aan de handgreep van het startkoord.
7. Breng de hefhendel langzaam omlaag.
8. Draai het diepte-afstelwiel rechtsom tot de freesdiepte correct is.
9. Trek de remhendel in de richting van de handgreep om de remmen te lossen en het product naar voren te bewegen.

Het product gebruiken

1. Houd de handgreep met lichte druk vast om ervoor te zorgen dat de achterwielen maximale grip krijgen.

2. Gebruik het product in parallelle banen en zorg ervoor dat de stofslang en de elektrische kabel op BMP 265 niet verdraaien.
3. Zorg ervoor dat het werktuig van de freeskop de grond met een centrumzoekende kracht raakt.



4. Pas de snelheid aan het oppervlak aan. Gebruik lagere snelheid op een ruw oppervlak.

Product stoppen

1. Trek de hefhendel omhoog en draai het diepte-afstelwiel tot de freeskop de grond niet raakt.
2. Stop het product:
 - a) BMP 265: Druk op de noodstopknop.
 - b) BMP 265Petrol: Zet de ON/OFF-schakelaar van de motor op OFF.
3. Stop de stofzuiger.
4. BMP 265: Haal de stekker uit het stopcontact.
5. Controleer of alle bewegende onderdelen gestopt zijn.

Onderhoud

Inleiding



WAARSCHUWING: Voordat u onderhoud gaat uitvoeren, dient u het hoofdstuk over veiligheid te lezen en hebben begrepen.

Voor alle onderhouds- en reparatiewerkzaamheden aan het product is speciale training nodig. Wij garanderen de beschikbaarheid van professionele reparaties en onderhoud. Indien uw dealer geen

servicewerkplaats heeft, vraag hem dan naar de dichtstbijzijnde servicewerkplaats.

Onderhoudsschema

* = Algemeen onderhoud uit te voeren door de gebruiker. De instructies zijn niet opgenomen in deze gebruikershandleiding.

X = De instructies zijn opgenomen in deze gebruikershandleiding.

O = De instructies zijn niet opgenomen in deze gebruikershandleiding. Laat onderhoud aan de machine uitvoeren door een erkende servicewerkplaats.

Algemeen productonderhoud	Elke dag	12u na service	Jaarlijks
Reinig het product.	X		
Controleer alle veiligheidsvoorzieningen.	X		
Controleer of de moeren en schroeven goed zijn vastgedraaid.	*	*	
Controleer de elektrische onderdelen, de kabels en de aansluitingen op slijtage en beschadiging.	*		
Controleer de slangaansluitingen. Controleer alle slangen op het product op schade of lekkage.	*		
Zorg ervoor dat stofslangen niet beschadigd en niet geblokkeerd zijn.	*		
Zorg ervoor dat de stofzuiger leeg en correct aangesloten is.	*		
Voer een volledige onderhouds- en reinigingsbeurt uit.			○
BMP 265: Controleer of de stekker en verlengkabel in goede staat verkeren en niet beschadigd zijn.	*		
BMP 265Petrol: Zorg ervoor dat er geen olie of brandstof lekt.	*		

Product reinigen

- Reinig na gebruik altijd alle apparatuur. Gebruik een stofzuiger.
- Reinig het product niet met een hogedrukspuit.
- Houd de luchtopeningen schoon en vrij om ervoor te zorgen dat het product altijd een voldoende koele temperatuur heeft.
- Reinig de werktuigkop na gebruik op vochtige oppervlakken.

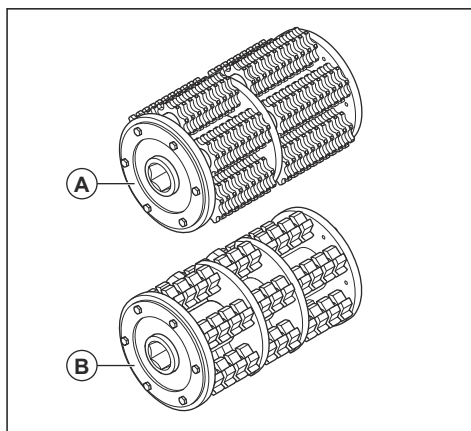
De rotatierichting van de motor veranderen BMP 265

1. Stop de motor. Zie *Product stoppen op pagina 66*.
2. Wacht tot het product volledig is gestopt.
3. Haal de stekker uit het stopcontact.
4. Draai de omkeerschakelaar in de netstekker naar de tegenoverliggende stand.

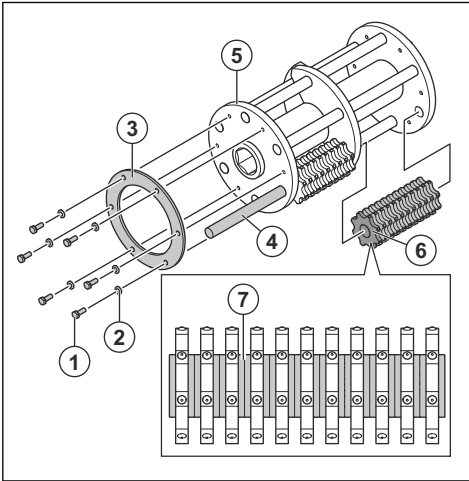
Freeskop

Werktuigen voor de freeskop

Er zijn verschillende werktuigen voor de freeskoppen, snijwerktuigen (A) en freessnijders (B). De werktuigen zijn voor verschillende oppervlakken.



Montage van de freeskop



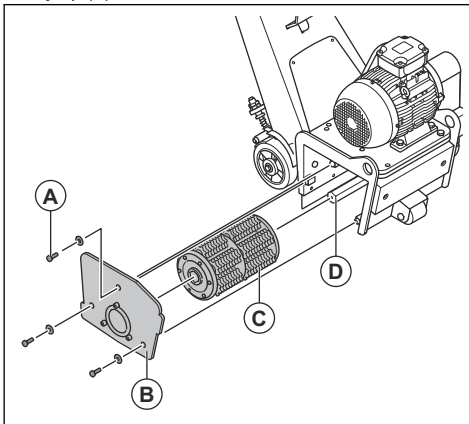
1. M6x16 inbusbout
2. M6 veerborgring
3. Borgplaten
4. As
5. Freeskop
6. Freesklepel of -snijder
7. Afstandsstuk

De freeskop vervangen



WAARSCHUWING: Controleer of alle bewegende onderdelen volledig gestopt zijn. Trek de sleutel van de OPC eruit.

1. Verwijder de schroeven (A) en de ringen van de zijkap (B).



2. Neem de zijkap (B) weg.
3. Verwijder de freeskop (C).

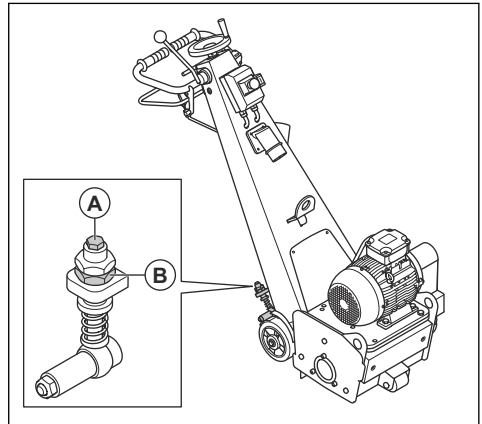
4. Reinig en smeer de as (D).
5. Installeer de nieuwe freeskop (C) op de as (D).
6. Installeer de zijkap (B) op de freeskop (C).
7. Installeer de schroeven (A) en de ringen.

De freeskop controleren

- Controleer de freeskop op slijtage. Vervang deze indien beschadigd, zie *De freeskop vervangen op pagina 68*.

De remdruk afstellen

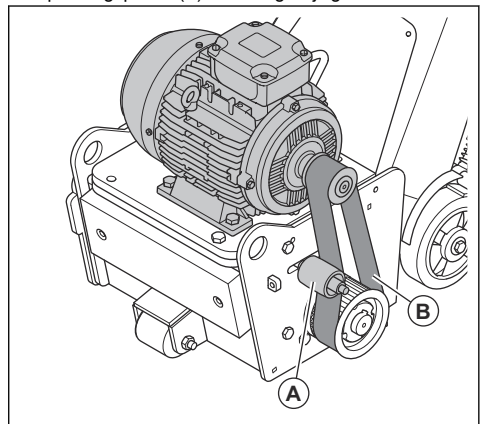
1. Draai de moeren los.



2. Stel de bout (B) af.
 - a) Draai de bout omhoog om de druk te verlagen.
 - b) Draai de bout omlaag om de druk te verhogen.

De aandrijfriem controleren

- Controleer de spanning. Als de spanning niet correct is, moet de horizontale positie van de spanningspoelie (A) worden gewijzigd.



- Controleer de aandrijfriem (B) op beschadigingen of zichtbare defecten.

Probleemoplossing

Probleem	Oorzaak	Oplossing
Te veel trilling en/of ongebruikelijke geluiden.	De werktuigen zijn versleten of beschadigd.	Vervang onderdelen die versleten of beschadigd zijn.
	Het lager is defect.	Controleer het lager op de aandrijfas en vervang het indien nodig.
	Verkeerde spanning van de aandrijfriem.	Controleer de spanning van de aandrijfriem. Zie <i>De aandrijfriem controleren op pagina 68</i> .
	De motor is defect.	Vervang de motor.
Verlaagde of geen freesprestaties.	De werktuigen zijn versleten of beschadigd.	Vervang versleten onderdelen.
	Het type werktuig is onjuist voor het oppervlak.	Vervang het werktuig door het correcte werktuig voor het oppervlak.
	–	BMP 265Petrol: Raadpleeg de bedieningshandleiding voor de verbrandingsmotor.
Het product start niet.	BMP 265: De noodstopknop is ingeschakeld.	Draai de noodstopknop rechtsom om deze uit te schakelen.
	Een onderdeel is defect.	Vervang het defecte onderdeel.
	BMP 265: Er komt slechts 1 fase in het product.	Controleer de voeding.
	BMP 265: De verlengkabel is losgekoppeld of beschadigd.	Sluit de verlengkabel aan of vervang deze indien nodig.
	BMP 265Petrol: Geen brandstof in de brandstoftank.	Vul de brandstoftank met brandstof. Zie <i>Brandstof bijvullen BMP 265Petrol op pagina 65</i> .
Het product stopt na een tijdje.	BMP 265: De motorbeveiligingsschakelaar komt vrij vanwege overbelasting.	Verminder de belasting.
	BMP 265: De motor heeft een defect.	Controleer de motor.

Vervoer, opslag en verwerking

Transport



WAARSCHUWING: Wees voorzichtig tijdens het transport. Het product is zwaar en kan als het valt of beweegt letsel of schade veroorzaken.



OPGELET: Trek de hefhandel voor transport omhoog. De werktuigen mogen de grond niet raken tijdens transport.



OPGELET: Sleep het product niet achter een voertuig.

- Met de wielen kunt u het product verplaatsen voor kortere afstanden. Voor langere afstanden moet u het product heffen om het te verplaatsen of op een voertuig plaatsen.
- Zorg dat het product tijdens het transport op bepaalde manieren wordt beschermd. Op deze

wijze wordt het product niet blootgesteld aan natuurverschijnselen zoals regen en sneeuw.

Het product een hellingbaan op en af laten gaan



WAARSCHUWING: Wees zeer voorzichtig wanneer u het product een hellingbaan op en af laat gaan. Het product is zwaar en er bestaat gevaar voor letsel als het product te valt of te snel beweegt.



WAARSCHUWING: Gebruik altijd een lier voor steile hellingbanen. Loop nooit onder het product door en blijf er niet onder of in de buurt staan.

- Als u het product van een hellingbaan af wilt laten rijden, rijd het product dan langzaam vooruit.
- Als u het product een hellingbaan op wilt laten rijden, rijd het product dan langzaam achteruit.
- Draai het product nooit meer dan 45° naar links of rechts op een hellingbaan.

Het product optillen



WAARSCHUWING: Zorg ervoor dat de hijsapparatuur de juiste specificaties heeft om het product veilig op te tillen. Het typeplaatje op het product geeft het gewicht van het product aan.

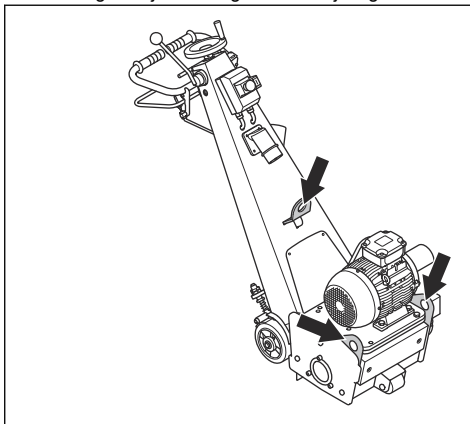


WAARSCHUWING: Loop nooit onder een opgeheven product door en blijf er niet onder of in de buurt staan. Houd omstanders uit de buurt van het werkgebied.



WAARSCHUWING: Hef een beschadigd product niet. Controleer of het hijssoog correct is aangebracht en niet beschadigd is.

1. Bevestig de hijsuitrusting door het hijssoog.



2. Hef het product veilig omhoog.

Opslag



OPGELET: Sla het product niet buiten op. Bewaar dit product altijd binnen.

- Bewaar het product in een droge en vorstvrije ruimte.
- Reinig het product en voer een volledige onderhoudsbeurt uit voordat u het product opslaat.
- Bewaar het product in een afgesloten ruimte om toegang door kinderen of onbevoegde personen te verhinderen.
- BMP 265Petrol: Leeg de brandstoftank voordat u het product voor langere tijd opslaat. De brandstof via een geschikte verwijderingslocatie afvoeren.
- BMP 265Petrol: Gebruik altijd goedgekeurde containers voor opslag en transport van brandstof.

Afvoeren

- Neem de plaatselijk geldende wet- en regelgeving voor recycling in acht.
- Voer alle chemicaliën, zoals olie of brandstof, af via een servicecentrum of een geschikte verwijderingslocatie.
- Wanneer het product niet langer in gebruik is, stuur het dan naar een Husqvarna dealer of voer het af via een recyclingslocatie.

Technische gegevens

	BMP 265, 3x400V	BMP 265Petrol
Motorvermogen, kW	5,5	6,0
Elektrische aansluiting, V/Hz	3x400/50	-

	BMP 265, 3x400V	BMP 265Petrol
Brandstof	-	Loodvrije benzine
Amperage, A	10,5	-
Smeermiddel	-	SAE 10W-30
Werkbreedte, mm	265	
Draaisnelheid, min ⁻¹	1440	
Lengte, mm	1260	
Breedte, mm	500	
Hoogte, mm	1160	
Gewicht, kg	175	190
Geluidsemissies		
Geluidsvermogeniveau, gemeten L _W (dB(A))	96	
Geluidsniveaus		
Geluidsdruk niveau bij het oor van de gebruiker, L _P (dB(A))	115	
Trillingenniveau (handgreep). m/s ²	5,1	6,3
Diameter stofslangaansluiting, mm	75	
Toepasselijke filterunit	Neem contact op met uw Husqvarna-dealer.	

Verklaring inzake geluid- en trillingsemissies

Deze aangegeven waarden zijn verkregen door middel van typeonderzoek in een laboratorium in overeenstemming met de genoemde richtlijn of normen en zijn geschikt voor vergelijking met aangegeven waarden van andere producten die volgens dezelfde richtlijn of normen zijn getest. Deze aangegeven waarden zijn niet geschikt voor gebruik ten behoeve

van risicoanalyses. Waarden die worden gemeten op afzonderlijke werkplekken, kunnen hoger zijn. De werkelijke blootstellingswaarden en het risico op letsel dat een individuele gebruiker ondervindt, zijn uniek en zijn afhankelijk van de manier waarop de gebruiker werkt, het materiaal waarvoor het product gebruikt wordt, de blootstellingstijd en de fysieke toestand van de gebruiker en de toestand van het product.

Verlengkabels

Kabellengte	Dwarsdoorsnede			
	≤ 16 A	≤ 32 A	≤ 63 A	≤ 125 A
Berekend bij een voorzekering GG ⁴ :	16 amp	32 amp	63 amp	125 amp
> 20m	1,5 mm ²	2,5 mm ²	10 mm ²	25 mm ²
20m > 50m	2,5 mm ²	4 mm ²	10 mm ²	25 mm ²
50m > 75m	4 mm ²	6 mm ²	16 mm ²	35 mm ²

⁴ De dwarsdoorsnedes moeten opnieuw worden berekend als een ander type voorzekering of voorzekering met andere afmetingen dan gegeven wordt gebruikt.

Verklaring van overeenstemming

EU-verklaring van overeenstemming

Wij, Husqvarna AB, SE-561 82 Huskvarna,
Zweden, tel: +46- 36-146500, verklaren onder onze
alleenverantwoordelijkheid dat het product:

Beschrijving	Frees
Merk	Husqvarna
Type/model	BMP 265
Identificatie	Serienummers vanaf 2022 en verder

volledig voldoet aan de volgende EU-richtlijnen en
-regelgeving:

Richtlijn/Verordening	Beschrijving
2006/42/EG	"betreffende machines"
2014/30/EU	"betreffende elektromagnetische compatibiliteit"

en dat de volgende normen en/of technische
specificaties zijn toegepast:

EN ISO 12100:2010, EN 60204-1:2006

Partille, 2022-01-24



Martin Huber

R&D Director, Concrete Surfaces & Floors

Husqvarna AB, Construction-divisie

Verantwoordelijk voor technische documentatie



EU-verklaring van overeenstemming

Wij, Husqvarna AB, SE-561 82 Huskvarna,
Zweden, tel: +46- 36-146500, verklaren onder onze
alleenverantwoordelijkheid dat het product:

Beschrijving	Frees
Merk	Husqvarna
Type/model	BMP 265Petrol
Identificatie	Serienummers vanaf 2022 en verder

volledig voldoet aan de volgende EU-richtlijnen en
-regelgeving:

Richtlijn/Verordening	Beschrijving
2006/42/EG	"betreffende machines"
2014/30/EU	"betreffende elektromagnetische compatibiliteit"

en dat de volgende normen en/of technische
specificaties zijn toegepast:

EN ISO 12100:2010

Partille, 2022-01-24



Martin Huber

R&D Director, Concrete Surfaces & Floors

Husqvarna AB, Construction-divisie

Verantwoordelijk voor technische documentatie





www.husqvarnacp.com

Original instructions
Originalanweisungen
Instructions d'origine
Originele instructies

1143019-20



2022-04-05